

CHERY T19C Labour Time Manual 2022

FOREWORD

This labour time manual has been prepared to provide standard work time for the T19C models when performing repairs under conditions prescribed by Chery.

This manual only applies to models listed below:
E4T15C+CVT25
F4J16+7DCT

Explanations of the Labour Times, conditions and how to use this manual are provided. Please read these explanations thoroughly.

The Labour Times are subject to change at any time by Chery, based on time studies by Chery relating to improved methods, techniques or equipment.

All rights reserved. Any unit or individual shall not reproduce or copy this manual in any form or by any means, or transmit it on the network by any form for any purpose without written permission of Chery Automobile Co., Ltd.

TABLE OF CONTENTS

HOW TO USE THIS MANUAL	01 - 1	Drive shaft.....	05 - 6
ENGINE MECHANICAL	02 - 1	Electronic shift mechanism system	05 - 8
Engine assy	02 - 2	Vacuum system diagram	05 - 10
Valve chamber cover.....	02 - 4	Steering column system	05 - 12
Cylinder head	02 - 6	Pedal mechanism	05 - 14
Cylinder block, oil pump.....	02 - 12	FR suspension	05 - 16
Crankshaft connecting rod mechanism	02 - 15	RR suspension.....	05 - 18
Timing, gear train	02 - 20	FR shock absorber	05 - 21
ENGINE ACCESSORY	03 - 1	Steering gear	05 - 24
Intake/exhaust system, fuel rail	03 - 2	Tire and wheel.....	05 - 26
Ignition system, electrical control component.....	03 - 4	Brake operation control unit	05 - 28
Cooling system.....	03 - 6	FR brake system LH.....	05 - 30
Turbocharger	03 - 8	FR brake system RH.....	05 - 32
Engine management system	03 - 10	RR brake system LH	05 - 34
Engine hood trim cover	03 - 12	RR brake system RH.....	05 - 36
Air filter system.....	03 - 14	Wheel brake pipe	05 - 38
Exhaust hot end	03 - 16	Sub frame	05 - 40
Exhaust cold end	03 - 18	ELECTRICAL	06 - 1
Fuel box and canister	03 - 20	Refrigeration pipeline and components	06 - 2
Fuel pipe and hardware	03 - 22	Compressor and other refrigeration components	06 - 4
Intercooler system	03 - 24	FR internal A/C control set	06 - 6
High temperature cooling system	03 - 26	FR internal A/C set	06 - 8
Ventilation system.....	03 - 28	Sensor and driver airbag	06 - 12
TRANSMISSION SHIFT MECHANISM	04 - 1	Illumination system.....	06 - 14
CVT25	04 - 2	Washer system	06 - 17
Transmission accessory	04 - 6	Wiper system.....	06 - 19
Transmission management system	04 - 8	Audio head unit	06 - 21
CHASSIS	05 - 1	Personal device interface	06 - 23
Mounting system.....	05 - 2	Speaker, power amplifier	06 - 25
Vehicle dynamic control system	05 - 4	Antenna.....	06 - 27
		Parking radar assist system.....	06 - 29
		Blind spot monitor system	06 - 31

TABLE OF CONTENTS

Automatic emergency brake system	06 - 33	Chassis guard	08 - 6
Panoramic image system	06 - 35	Support system	08 - 8
Tire pressure monitoring system	06 - 37	Door handle	08 - 10
Body controller	06 - 39	Engine hood lock	08 - 12
Power back door	06 - 41	Door lock system	08 - 14
Passive entry & passive start system	06 - 43	Back door lock.....	08 - 16
Wire harness	06 - 45	Glass regulator.....	08 - 18
Power supply system	06 - 47	Glass assy	08 - 20
Power supply distribution unit	06 - 49	Rear view mirror.....	08 - 22
Vehicle switch.....	06 - 51	Roof exterior trim	08 - 24
Center gateway system	06 - 53	Wheel house protector.....	08 - 26
INTERIOR.....	07 - 1	FR bumper assy.....	08 - 28
Dashboard assy	07 - 2	Grille system.....	08 - 31
Auxiliary dashboard assy.....	07 - 5	RR bumper assy	08 - 33
FR seat.....	07 - 8	Sunroof.....	08 - 35
Second row of seats.....	07 - 10	Quarter panel UPR trim	08 - 37
RR window interior ornament.....	07 - 12	Spoiler	08 - 39
Floor trim	07 - 14	Wheel brow protector	08 - 41
RR luggage compartment interior trim	07 - 16	Side door trim	08 - 43
Roof interior trim	07 - 18	FR windshield LWR trim panel.....	08 - 45
INR noise processing unit.....	07 - 20	Name plate system.....	08 - 47
Quarter panel interior trim.....	07 - 22	RR end Trim	08 - 49
Door protector	07 - 24	WHITE BODY FRAME	09 - 1
Lock core & key	07 - 27	Body in white	09 - 2
Steering wheel	07 - 29	ENGINE MECHANICAL (F4J16).....	10 - 1
Seat belt	07 - 31	Engine assy	10 - 2
Airbag	07 - 33	Valve chamber cover.....	10 - 4
Sealing system.....	07 - 35	Cylinder head	10 - 6
EXTERIOR	08 - 1	Cylinder block, oil pump.....	10 - 11
Fuel filler cover system	08 - 2	Crankshaft connecting rod mechanism	10 - 13
Body accessory.....	08 - 4	Timing, gear train	10 - 17
		ENGINE ACCESSORY (F4J16)	11 - 1
		Intake/exhaust system, fuel rail	11 - 2

TABLE OF CONTENTS

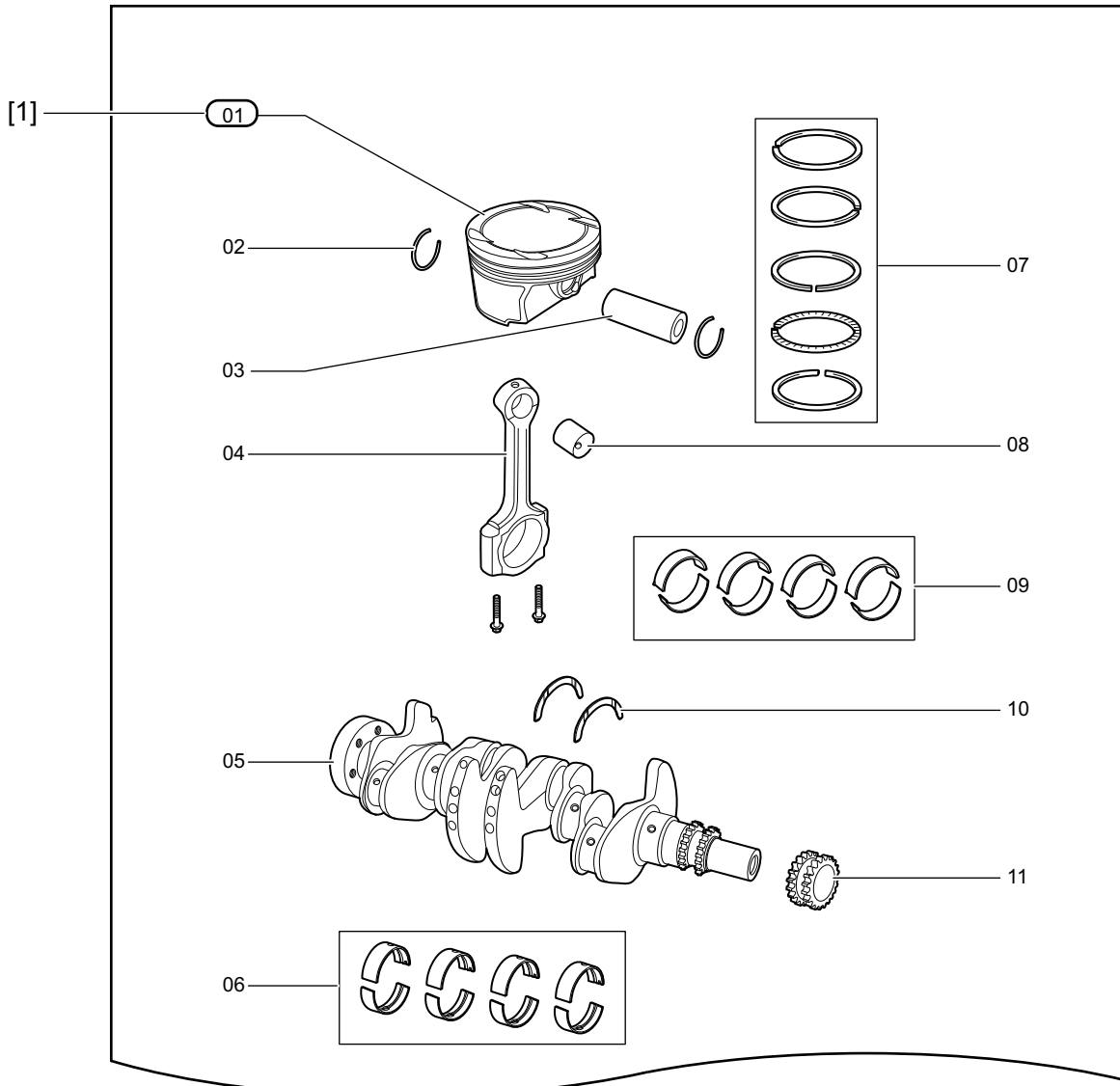
Ignition system, electrical control component.....	11 - 4	FR suspension	13 - 8
Cooling system.....	11 - 6	RR suspension.....	13 - 10
Turbocharger.....	11 - 8	Wheel brake pipe.....	13 - 13
Engine management system	11 - 10	Sub frame	13 - 15
Engine hood trim cover	11 - 12	ELECTRICAL (F4J16)	14 - 1
Air filter system.....	11 - 14	Refrigeration pipeline and components.....	14 - 2
Exhaust hot end	11 - 16	Antenna.....	14 - 4
Exhaust cold end	11 - 18	Wire harness	14 - 6
Fuel box and canister.....	11 - 20	Power supply system	14 - 8
Fuel pipe and hardware	11 - 22	Power supply distribution unit.....	14 - 10
Mounting system.....	11 - 24	INTERIOR AND EXTERIOR (F4J16).....	15 - 1
Intercooler system	11 - 26	Seat.....	15 - 2
High temperature cooling system	11 - 28	RR luggage compartment interior trim	15 - 4
Ventilation system.....	11 - 30	Door protector	15 - 6
TRANSMISSION SHIFT MECHANISM (F4J16).....	12 - 1	FR bumper assy.....	15 - 8
Transmission	12 - 2	Side door trim	15 - 10
CHASSIS (F4J16).....	13 - 1	Name plate system.....	15 - 12
Vehicle dynamic control system	13 - 2	MAINTENANCE	16 - 1
Drive shaft.....	13 - 4	Maintenance.....	16 - 2
Vacuum system diagram	13 - 6		

HOW TO USE THIS MANUAL

General Information

The following illustrations are provided to show how to read this manual. The illustrations shown here are examples only.

Example 1



[1]: Part Sequence No.

Use the part sequence No. to find the station number in the next page as soon as possible.

Example 2

No.	Part No.	Station No.	Station Name	Labour Time
[2] 01	D4G15B-1009031	T116DM10090313701	Replace oil dipstick	10
02	D4G15B-1009032AB	T116DM10090323751	Replace oil dipstick tube	10
		Ex: T116DM10090102701	Remove and reinstall oil pan assy	120
03	477F-1009021	T116DM10090213751	Replace gasket-oil pan	5
		Ex: T116DM10090102701	Remove and reinstall oil pan assy	120
04	477F-1009012	T116DM10090122751	Remove and reinstall oil deflector-oil pan	10
		Ex: T116DM10090102701	Remove and reinstall oil pan assy	120
[3] 05	477F-1009010	T116DM10090102701	Remove and reinstall oil pan assy	120
	D4G15-1009010			
06	480-1002017	T116DM10020172701	Remove and reinstall cup plug	20
07	484J-1009014	T116DM10090142701	Remove and reinstall oil drain plug	10
[4] 08	480-1010021	T116DM10100213751	Replace gasket-connecting flange	10
		Ex: T116DM10090102701	Remove and reinstall oil pan assy	120
[5] 09	480-1010010	T116DM10100103751	Replace oil strainer assy	10
		Ex: T116DM10090102701	Remove and reinstall oil pan assy	120

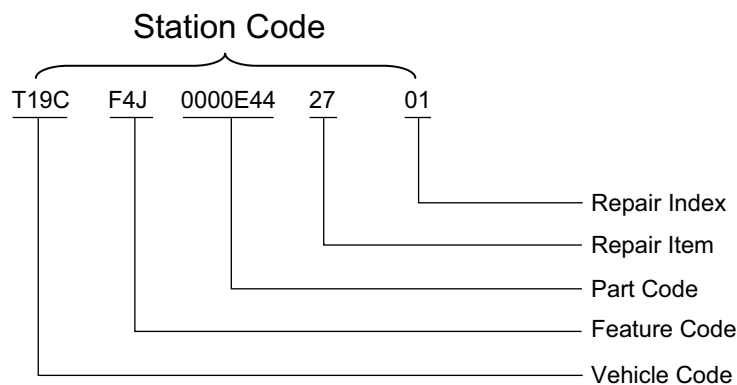
[2]: Station Sequence No.

Use the station sequence No. to find the corresponding part in the previous page as soon as possible.

[3]: Station Code

The station code consists of the following:

Example 3



- Vehicle Code

Vehicle code uses 3-digit number or letter to indicate different models manufactured by Chery.

Vehicle code of T19C

- Feature Code

Feature code uses 3-digit number or letter to indicate part assemblies such as engine, transmission etc. that manufactured, outsourcing manufactured and purchased by Chery. Except engines and transmissions, the code "KKK" would be used to indicate other parts and components.

Feature Code Chart

Feature Code	Component	Feature Code	Component
E4T/F4J	E4T15C/F4J16	C25/7DC	CVT25/7DCT

- Part Code

Part code is made up of 7-digit, which comes from Part No. to indicate a specific part. If Part No. is less than 7-digit, "0" will be filled in.

- Repair Item

Repair item is made up of 2-digit and it is used to determine the repair item to be performed.

Repair Item Chart:

Code	Description	Code	Description	Code	Description	Code	Description
10	Check	24	Noise Elimination	43	Turning	65	Rework
11	Measurement	26	Installation	44	Reaming	70	Sealing
12	Check & Adjustment	27	Removal & Installation	45	Grinding	73	Manufacturing
13	Adjustment	28	Removal	46	Leveling	75	Welding
14	Power Check	30	Additional Installation	47	Chambering	78	Press out
15	Power Check & Adjustment	31	Modification	48	Tapping	79	Straightening
16	Maintenance	35	Disassembly & Check	49	Chambering & Tapping	80	Balancing
17	Cleaning	36	Disassembly & Reassembly	50	Correction	90	Refinishing Fore & After Painting
20	Draining	37	Replacement	52	Pore filling	91	Polishing
21	Adding	38	Matching	55	Lubricating	92	Painting
22	Draining and Filling	40	Repair	58	Loading up	95	Paint Repair
23	Vacuum and Filling	42	Drilling	60	Screwing up	97	Word Spraying
98	Sticker						

- Repair Index

It is made up of two digits showing the repair complexity, quantity of repair items, primary operations and secondary operations.

The range between "00-49" represents primary operations, which can be conducted independently. The range between "50-99" represents secondary operations, which cannot be conducted independently and need to be combined with corresponding primary operations to finish the repair work.

The complexity of repair item is indicated by the first digit ranging from 0 to 9, among which, based on the complexity of the repair, 0-4 for primary operations and 5-9 for secondary operations.

The quantity of the item to be repaired is indicated by the second digit. "1" indicates there is one item to be repaired for a car; "2" is two items, and so on. As long as the items to be repaired exceed nine, the digit "9" is

used. In case of the repair item is about some function system instead of a component or a part, the digit "0" is used.

[4]: Repair Instructions

Briefly explain repair items in the form of text.

[5]: Part No.

[6]: Additional Station

Ex is the abbreviation of Exclude.

Additional station indicates the repair station needs to be performed before proceeding to the next repair station. When calculating labour time, add the labour time of additional station.

Abbreviations

Abbreviations	Meaning	Abbreviations	Meaning
A/C	Air Conditioning	LWR	Lower
ABS	Anti-Lock Brake System	MD	Middle
ASSY	Assembly	MT	Manual Transmission
BCM	Body Control Module	OTR	Outer
CD	Compact Disc	PCV	Positive Crankcase Ventilation
CVT	Continuously Variable Transmission	RH	Right
FR	Front	RR	Rear
HVAC	Heating, Ventilation and Air Conditioning	SD	Side
INR	Inner	UPR	Upper
LH	Left	W/	With
W/O	Without		

[7]: Labour Time Standard

Labour time standard: The time to a series of activities (including vehicle reception, malfunctions judgment, parts procurement, servicing & operating, vehicle delivery, etc.) is included.

For labour time, every 100 units is one hour.

Calculation of labour time:

NOTE
<ul style="list-style-type: none"> When calculating working hours, only repairing time of the primary operations would be given directly. In case of both primary and secondary operations are co-existed, the working hours are calculated by adding the time amount for secondary operations to that for primary operations.

- w/o Additional Station

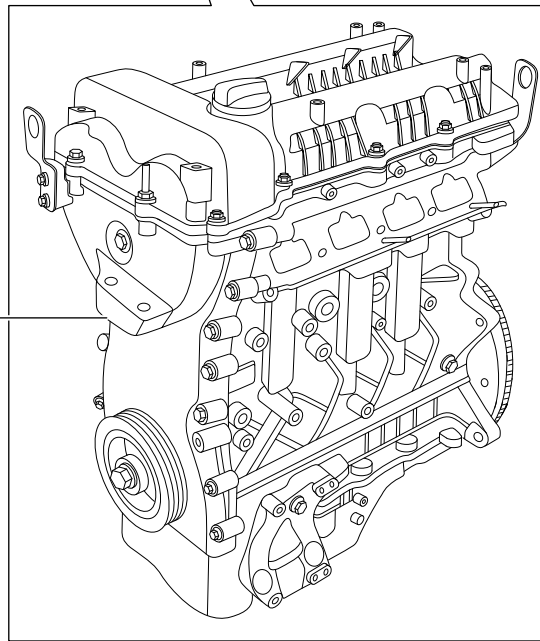
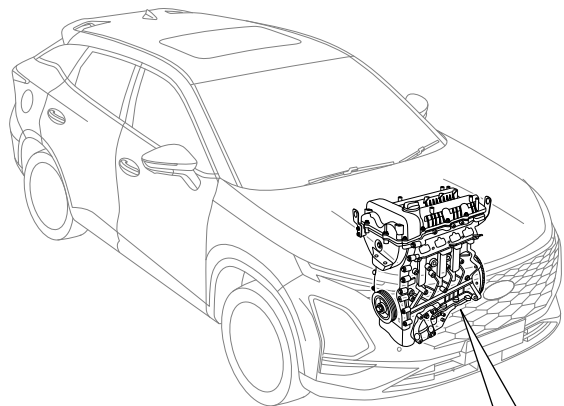
As shown in the illustration, the labour time is 20 if there is no additional station.

- w/ Additional Station

As shown in the illustration, if there is additional station, calculation of labour time is $10 + 120 = 130$.

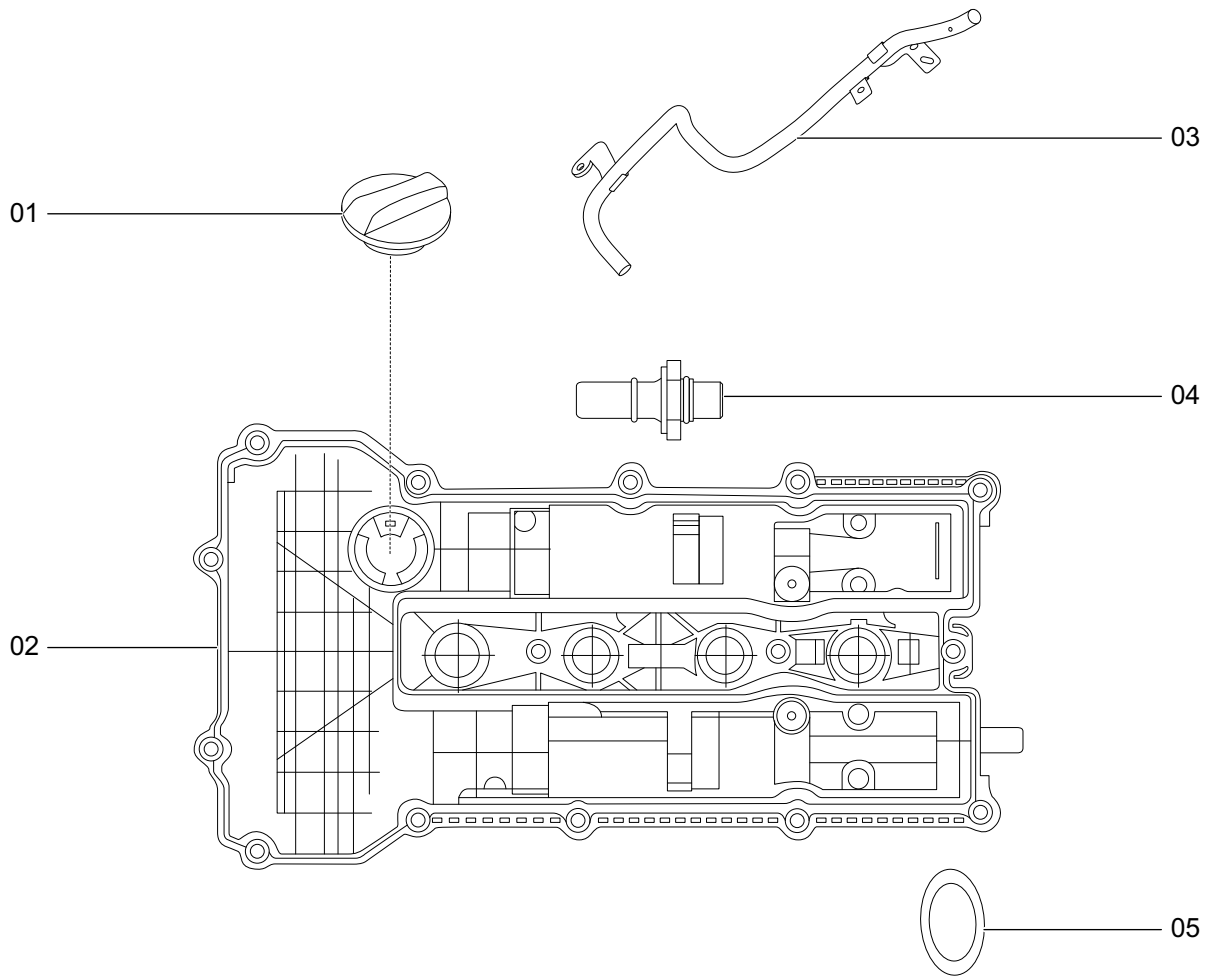
ENGINE MECHANICAL

Engine assy	02 - 2
Valve chamber cover	02 - 4
Cylinder head	02 - 6
Cylinder block, oil pump	02 - 12
Crankshaft connecting rod mechanism	02 - 15
Timing, gear train	02 - 20



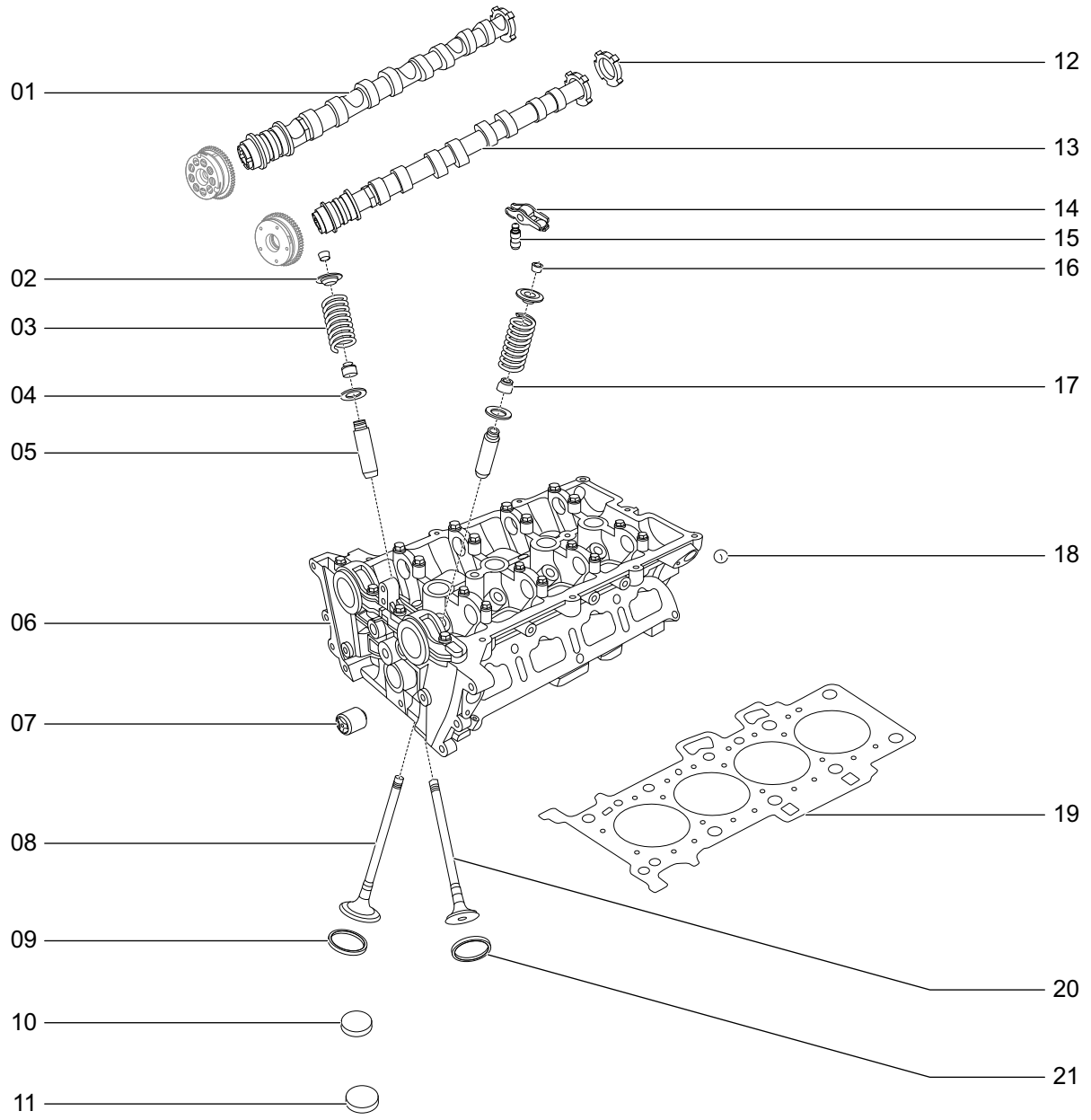
01

No.	Part No.	Station No.	Station Name	Labour Time
01	DM1-BJ0000E93AA	T19CE4T0000E932701	Remove and reinstall E4T15C engine assy	600
		T19CE4T0000E933651	Disassemble and reassemble E4T15C engine assy	350
		Ex:T19CE4T0000E932701	Remove and reinstall E4T15C engine assy	600



T19020020

No.	Part No.	Station No.	Station Name	Labour Time
01	473F-1003050	T19CE4T10030502701	Remove and reinstall Oil filler cap assy	10
02	E4T15C-1003030	T19CE4T10030302701	Remove and reinstall cylinder head cover assy	60
03	E4T15B-3541013	T19CE4T35410132701	Remove and reinstall metal vacuum tube	30
04	E4G15C-1014040	T19CE4T10140402701	Remove and reinstall PCV valve	30
05	E4G16-1005071	T19CE4T10050712701	Remove and reinstall friction plate - crankshaft	50



T19020030

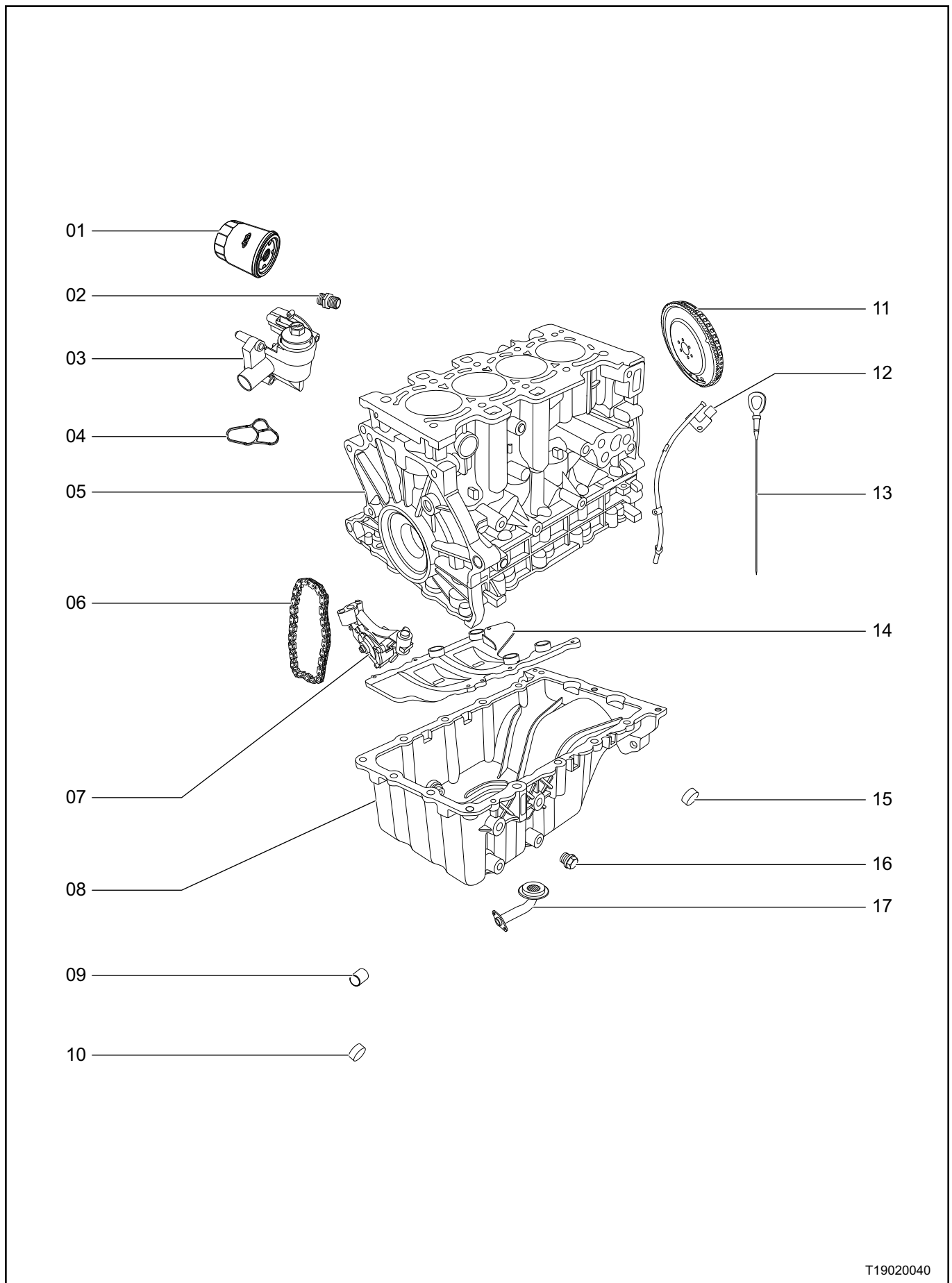
No.	Part No.	Station No.	Station Name	Labour Time
01	E4G16-1006010BA	T19CE4T10060102751	Remove and reinstall intake camshaft assy	30
		Ex:T19CE4T10060402761	Remove and reinstall intake phaser	20
		Ex:T19CE4T10070802751	Remove and reinstall Timing chain assy	40
		Ex:T19CE4T10070832701	Remove and reinstall timing sprocket cover	120
	E4G16-1006010BD	T19CE4T10060102761	Remove and reinstall intake camshaft assy	30
		Ex:T19CE4T10060402761	Remove and reinstall intake phaser	20
		Ex:T19CE4T10070802751	Remove and reinstall Timing chain assy	40
		Ex:T19CE4T10070832701	Remove and reinstall timing sprocket cover	120
02	473H-1007015	T19CE4T10070152751	Remove and reinstall valve spring UPR seat	0
		Ex:T19CE4T10030103651	Disassemble and reassemble cylinder head assy	160
		Ex:T19CE4T10030102751	Remove and reinstall cylinder head assy	160
		Ex:T19CE4T10070802751	Remove and reinstall Timing chain assy	40
		Ex:T19CE4T10070832701	Remove and reinstall timing sprocket cover	120
03	E4G16-1007014	T19CE4T10070142751	Remove and reinstall valve spring	0
		Ex:T19CE4T10030103651	Disassemble and reassemble cylinder head assy	160
		Ex:T19CE4T10030102751	Remove and reinstall cylinder head assy	160
		Ex:T19CE4T10070802751	Remove and reinstall Timing chain assy	40
		Ex:T19CE4T10070832701	Remove and reinstall timing sprocket cover	120
04	477F-1007013	T19CE4T10070132751	Remove and reinstall valve spring LWR seat	0
		Ex:T19CE4T10030103651	Disassemble and reassemble cylinder head assy	160
		Ex:T19CE4T10030102751	Remove and reinstall cylinder head assy	160
		Ex:T19CE4T10070802751	Remove and reinstall Timing chain assy	40
		Ex:T19CE4T10070832701	Remove and reinstall timing sprocket cover	120
05	E4T15B-1003013	T19CE4T10030132751	Remove and reinstall 1-8 valve guide	10
		Ex:T19CE4T10030103651	Disassemble and reassemble cylinder head assy	160
		Ex:T19CE4T10030102751	Remove and reinstall cylinder head assy	160
		Ex:T19CE4T10070802751	Remove and reinstall Timing chain assy	40
	E4T15C-1003013	Ex:T19CE4T10070832701	Remove and reinstall timing sprocket cover	120
		T19CE4T10030132761	Remove and reinstall 1-8 valve guide	10
		Ex:T19CE4T10030103651	Disassemble and reassemble cylinder head assy	160
		Ex:T19CE4T10030102751	Remove and reinstall cylinder head assy	160
06	E4T15C-1003010	Ex:T19CE4T10070802751	Remove and reinstall Timing chain assy	40
		Ex:T19CE4T10070832701	Remove and reinstall timing sprocket cover	120
		T19CE4T10030103651	Disassemble and reassemble cylinder head assy	160
		Ex:T19CE4T10030102751	Remove and reinstall cylinder head assy	160
		T19CE4T10030102751	Remove and reinstall cylinder head assy	160

No.	Part No.	Station No.	Station Name	Labour Time
		Ex:T19CE4T10070802751	Remove and reinstall Timing chain assy	40
		Ex:T19CE4T10070832701	Remove and reinstall timing sprocket cover	120
07	F4J16-1003034	T19CE4T10030342751	Remove and reinstall valve (Camshaft phaser assy control valve lower part)	30
		Ex:T19CE4T36110912701	Remove and reinstall Camshaft phaser assy control valve	30
08	E4G16-1007011	T19CE4T10070112751	Remove and reinstall 1-8 Exhaust valve	0
		Ex:T19CE4T10030103651	Disassemble and reassemble cylinder head assy	160
		Ex:T19CE4T10030102751	Remove and reinstall cylinder head assy	160
		Ex:T19CE4T10070802751	Remove and reinstall Timing chain assy	40
		Ex:T19CE4T10070832701	Remove and reinstall timing sprocket cover	120
		T19CE4T10070114551	Grind 8 Exhaust valve	80
		Ex:T19CE4T10030103651	Disassemble and reassemble cylinder head assy	160
		Ex:T19CE4T10030102751	Remove and reinstall cylinder head assy	160
		Ex:T19CE4T10070802751	Remove and reinstall Timing chain assy	40
		Ex:T19CE4T10070832701	Remove and reinstall timing sprocket cover	120
09	E4G16-1003021	T19CE4T10030212751	Remove and reinstall 1 Intake valve seat ring	10
		Ex:T19CE4T10030103651	Disassemble and reassemble cylinder head assy	160
		Ex:T19CE4T10030102751	Remove and reinstall cylinder head assy	160
		Ex:T19CE4T10070802751	Remove and reinstall Timing chain assy	40
		Ex:T19CE4T10070832701	Remove and reinstall timing sprocket cover	120
		T19CE4T10030212752	Remove and reinstall 2 intake valve seat rings	20
		Ex:T19CE4T10030103651	Disassemble and reassemble cylinder head assy	160
		Ex:T19CE4T10030102751	Remove and reinstall cylinder head assy	160
		Ex:T19CE4T10070802751	Remove and reinstall Timing chain assy	40
		Ex:T19CE4T10070832701	Remove and reinstall timing sprocket cover	120
		T19CE4T10030212754	Remove and reinstall 4 Intake valve seat rings	30
		Ex:T19CE4T10030103651	Disassemble and reassemble cylinder head assy	160
		Ex:T19CE4T10030102751	Remove and reinstall cylinder head assy	160
		Ex:T19CE4T10070802751	Remove and reinstall Timing chain assy	40
		Ex:T19CE4T10070832701	Remove and reinstall timing sprocket cover	120
		T19CE4T10030212756	Remove and reinstall 6 intake valve seat rings	40
		Ex:T19CE4T10030103651	Disassemble and reassemble cylinder head assy	160
		Ex:T19CE4T10030102751	Remove and reinstall cylinder head assy	160
		Ex:T19CE4T10070802751	Remove and reinstall Timing chain assy	40
		Ex:T19CE4T10070832701	Remove and reinstall timing sprocket cover	120
		T19CE4T10030212758	Remove and reinstall 8 intake valve seat rings	50
		Ex:T19CE4T10030103651	Disassemble and reassemble cylinder head assy	160
		Ex:T19CE4T10030102751	Remove and reinstall cylinder head assy	160
		Ex:T19CE4T10070802751	Remove and reinstall Timing chain assy	40

No.	Part No.	Station No.	Station Name	Labour Time
		Ex:T19CE4T10070832701	Remove and reinstall timing sprocket cover	120
10	372-1002024	T19CE4T10020242751	Remove and reinstall cup plug	30
		Ex:T19CKKK12050102701	Remove and reinstall precatalytic conversion assy	60
	F4J16-1002036	T19CE4T10020362751	Remove and reinstall Bowl plug	30
		Ex:T19CKKK12050102701	Remove and reinstall precatalytic conversion assy	60
11	481H-1002036	T19CE4T10020362761	Remove and reinstall Bowl plug	20
		Ex:T19CE4T10070802751	Remove and reinstall Timing chain assy	40
		Ex:T19CE4T10070832701	Remove and reinstall timing sprocket cover	120
12	481H-1006019	T19CE4T10060192751	Remove and reinstall signal wheel - camshaft position sensor	20
		Ex:T19CE4T10060102751	Remove and reinstall intake camshaft assy	30
		Ex:T19CE4T10060402761	Remove and reinstall intake phaser	20
		Ex:T19CE4T10070802751	Remove and reinstall Timing chain assy	40
		Ex:T19CE4T10070832701	Remove and reinstall timing sprocket cover	120
13	E4T15B-1006030	T19CE4T10060302751	Remove and reinstall exhaust camshaft assy	30
		Ex:T19CE4T10060602761	Remove and reinstall exhaust phaser	20
		Ex:T19CE4T10070802751	Remove and reinstall Timing chain assy	40
		Ex:T19CE4T10070832701	Remove and reinstall timing sprocket cover	120
14	481H-1007030A1	T19CE4T10070302751	Remove and reinstall Rocker arm assy	10
		Ex:T19CE4T10060102751	Remove and reinstall intake camshaft assy	30
		Ex:T19CE4T10060402761	Remove and reinstall intake phaser	20
		Ex:T19CE4T10070802751	Remove and reinstall Timing chain assy	40
		Ex:T19CE4T10070832701	Remove and reinstall timing sprocket cover	120
	481H-1007030	T19CE4T10070302761	Remove and reinstall Rocker arm assy	10
		Ex:T19CE4T10060102751	Remove and reinstall intake camshaft assy	30
		Ex:T19CE4T10060402761	Remove and reinstall intake phaser	20
		Ex:T19CE4T10070802751	Remove and reinstall Timing chain assy	40
		Ex:T19CE4T10070832701	Remove and reinstall timing sprocket cover	120
15	481H-1007040	T19CE4T10070402761	Remove and reinstall hydraulic tappet assy	10
		Ex:T19CE4T10060102751	Remove and reinstall intake camshaft assy	30
		Ex:T19CE4T10060402761	Remove and reinstall intake phaser	20
		Ex:T19CE4T10070802751	Remove and reinstall Timing chain assy	40
		Ex:T19CE4T10070832701	Remove and reinstall timing sprocket cover	120
16	481H-1007018	T19CE4T10070182751	Remove and reinstall Valve lock block	0
		Ex:T19CE4T10030103651	Disassemble and reassemble cylinder head assy	160
		Ex:T19CE4T10030102751	Remove and reinstall cylinder head assy	160
		Ex:T19CE4T10070802751	Remove and reinstall Timing chain assy	40
		Ex:T19CE4T10070832701	Remove and reinstall timing sprocket cover	120
17	481H-1007020	T19CE4T10070202751	Remove and reinstall valve oil seal	0

No.	Part No.	Station No.	Station Name	Labour Time
		Ex:T19CE4T10030103651	Disassemble and reassemble cylinder head assy	160
		Ex:T19CE4T10030102751	Remove and reinstall cylinder head assy	160
		Ex:T19CE4T10070802751	Remove and reinstall Timing chain assy	40
		Ex:T19CE4T10070832701	Remove and reinstall timing sprocket cover	120
18	480-1006017	T19CE4T10060172751	Remove and reinstall steel ball	30
		Ex:T19CE4T10030102751	Remove and reinstall cylinder head assy	160
		Ex:T19CE4T10070802751	Remove and reinstall Timing chain assy	40
		Ex:T19CE4T10070832701	Remove and reinstall timing sprocket cover	120
19	E4T15B-1003080	T19CE4T10030802751	Remove and reinstall cylinder gasket	10
		Ex:T19CE4T10030102751	Remove and reinstall cylinder head assy	160
		Ex:T19CE4T10070802751	Remove and reinstall Timing chain assy	40
		Ex:T19CE4T10070832701	Remove and reinstall timing sprocket cover	120
20	E4T16-1007012	T19CE4T10070122751	Remove and reinstall 1-8 exhaust valve	0
		Ex:T19CE4T10030103651	Disassemble and reassemble cylinder head assy	160
		Ex:T19CE4T10030102751	Remove and reinstall cylinder head assy	160
		Ex:T19CE4T10070802751	Remove and reinstall Timing chain assy	40
		Ex:T19CE4T10070832701	Remove and reinstall timing sprocket cover	120
		T19CE4T10070124551	Grind 8 Exhaust valve	80
		Ex:T19CE4T10030103651	Disassemble and reassemble cylinder head assy	160
		Ex:T19CE4T10030102751	Remove and reinstall cylinder head assy	160
		Ex:T19CE4T10070802751	Remove and reinstall Timing chain assy	40
		Ex:T19CE4T10070832701	Remove and reinstall timing sprocket cover	120
21	E4G16-1003022	T19CE4T10030222751	Remove and reinstall 1 exhaust valve seat ring	10
		Ex:T19CE4T10030103651	Disassemble and reassemble cylinder head assy	160
		Ex:T19CE4T10030102751	Remove and reinstall cylinder head assy	160
		Ex:T19CE4T10070802751	Remove and reinstall Timing chain assy	40
		Ex:T19CE4T10070832701	Remove and reinstall timing sprocket cover	120
		T19CE4T10030222752	Remove and reinstall 2 exhaust valve seat rings	20
		Ex:T19CE4T10030103651	Disassemble and reassemble cylinder head assy	160
		Ex:T19CE4T10030102751	Remove and reinstall cylinder head assy	160
		Ex:T19CE4T10070802751	Remove and reinstall Timing chain assy	40
		Ex:T19CE4T10070832701	Remove and reinstall timing sprocket cover	120
		T19CE4T10030222754	Remove and reinstall 4 exhaust valve seat rings	30
		Ex:T19CE4T10030103651	Disassemble and reassemble cylinder head assy	160
		Ex:T19CE4T10030102751	Remove and reinstall cylinder head assy	160
		Ex:T19CE4T10070802751	Remove and reinstall Timing chain assy	40
		Ex:T19CE4T10070832701	Remove and reinstall timing sprocket cover	120
		T19CE4T10030222756	Remove and reinstall 6 exhaust valve seat rings	40
		Ex:T19CE4T10030103651	Disassemble and reassemble cylinder head assy	160

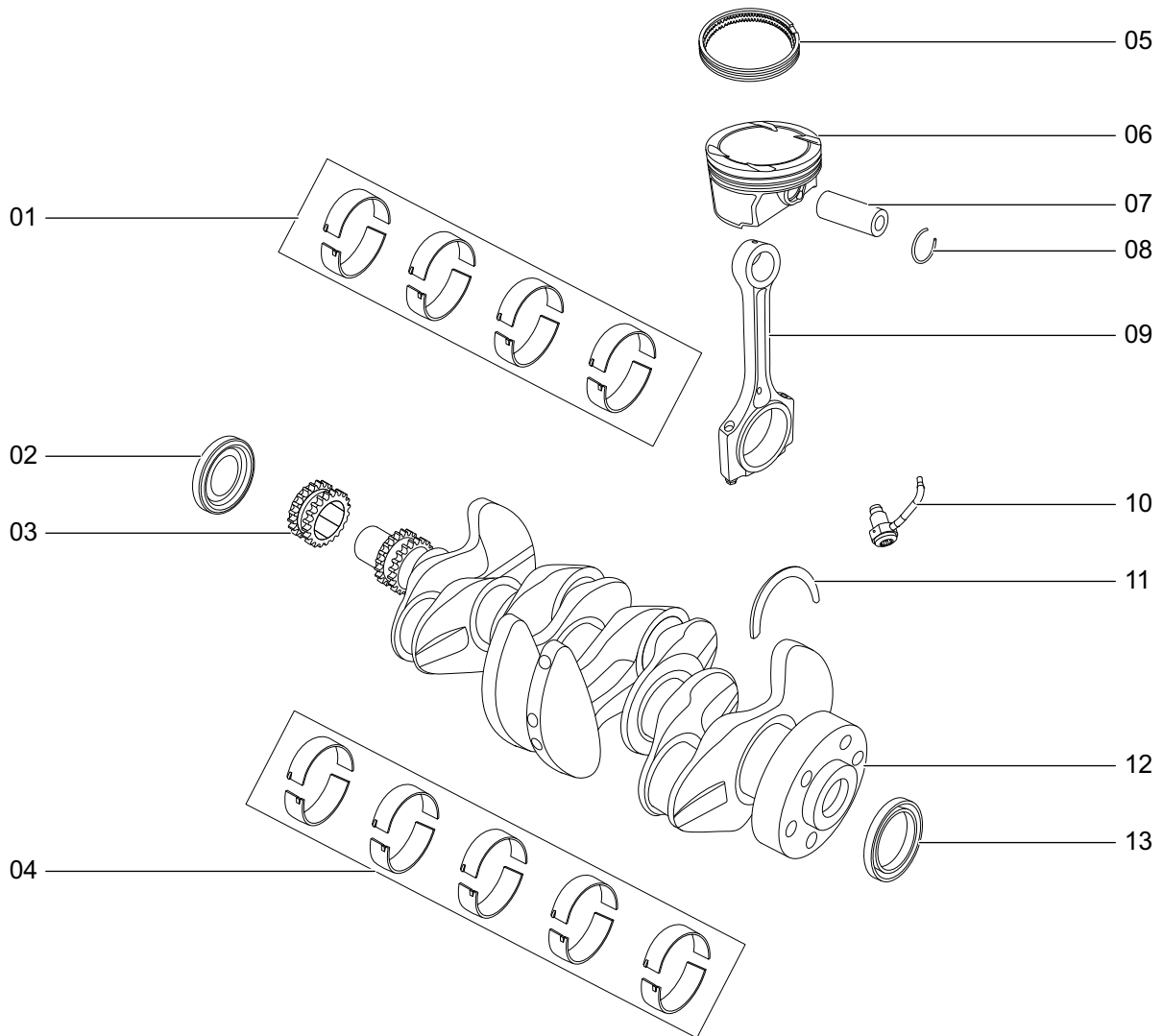
No.	Part No.	Station No.	Station Name	Labour Time
		Ex:T19CE4T10030102751	Remove and reinstall cylinder head assy	160
		Ex:T19CE4T10070802751	Remove and reinstall Timing chain assy	40
		Ex:T19CE4T10070832701	Remove and reinstall timing sprocket cover	120
		T19CE4T10030222758	Remove and reinstall 8 exhaust valve seat rings	50
		Ex:T19CE4T10030103651	Disassemble and reassemble cylinder head assy	160
		Ex:T19CE4T10030102751	Remove and reinstall cylinder head assy	160
		Ex:T19CE4T10070802751	Remove and reinstall Timing chain assy	40
		Ex:T19CE4T10070832701	Remove and reinstall timing sprocket cover	120



T19020040

No.	Part No.	Station No.	Station Name	Labour Time
01	480-1012010	T19CE4T10120102701	Remove and reinstall oil filter assy	20
02	473H-1012021	T19CE4T10120212751	Remove and reinstall Joint-oil filter	10
		Ex:T19CE4T10120102701	Remove and reinstall oil filter assy	20
03	E4G15C-1012100	T19CE4T10121002751	Remove and reinstall oil filter module assy	60
		Ex:T19CKKK47041132101	Fill antifreeze coolant	20
		Ex:T19CKKK12050102701	Remove and reinstall precatalytic conversion assy	60
04	E4G16-1012026	T19CE4T10120262751	Remove and reinstall oil path seal ring	10
		Ex:T19CE4T10121002751	Remove and reinstall oil filter module assy	60
		Ex:T19CKKK47041132101	Fill antifreeze coolant	20
		Ex:T19CKKK12050102701	Remove and reinstall precatalytic conversion assy	60
05	E4T15B-1002010	T19CE4T10020102751	Remove and reinstall cylinder assy	0
		Ex:T19CE4T0000E933651	Disassemble and reassemble E4T15C engine assy	350
		Ex:T19CE4T0000E932701	Remove and reinstall E4T15C engine assy	600
06	E4G15-1011060	T19CE4T10110602751	Remove and reinstall Oil pump chain assy	20
		Ex:T19CE4T10090102701	Remove and reinstall Oil pan assy	100
		Ex:T19CE4T10070802751	Remove and reinstall Timing chain assy	40
		Ex:T19CE4T10070832701	Remove and reinstall timing sprocket cover	120
07	E4T16-1011030	T19CE4T10110302751	Remove and reinstall OIL pump assy	40
		Ex:T19CE4T10090102701	Remove and reinstall Oil pan assy	100
08	E4G16-1009010	T19CE4T10090102701	Remove and reinstall Oil pan assy	100
09	481H-1002038	T19CE4T10020382751	Remove and reinstall transmission locating sleeve	10
		Ex:T19CC2510000392701	Remove and reinstall automatic transmission assy	400
10	372-1003026	T19CE4T10030262751	Remove and reinstall cup plug	30
		Ex:T19CE4T10070832701	Remove and reinstall timing sprocket cover	120
11	E4T15B-1005110AD	T19CE4T10051102751	Remove and reinstall flexible plate assembly	50
		Ex:T19CC2510000392701	Remove and reinstall automatic transmission assy	400
12	E4T15B-1009032	T19CE4T10090322701	Remove and reinstall oil dipstick pipe	30
13	E4T15B-1009031	T19CE4T10090312701	Remove and reinstall oil dipstick	10
14	E4G16-1009013	T19CE4T10090132751	Remove and reinstall Oil insulation plate	10
		Ex:T19CE4T10090102701	Remove and reinstall Oil pan assy	100
15	480-1011055AB	T19CE4T10110552701	Remove and reinstall cup plug Φ 16	30
16	481H-1002042	T19CE4T10020422701	Remove and reinstall Oil pan drain plug	20
	484J-1009014	T19CE4T10090142701	Remove and reinstall drain plug	20

No.	Part No.	Station No.	Station Name	Labour Time
17	E4G16-1010010BA	T19CE4T10100102751 Ex:T19CE4T10090102701	Remove and reinstall oil collector assy Remove and reinstall Oil pan assy	20 100



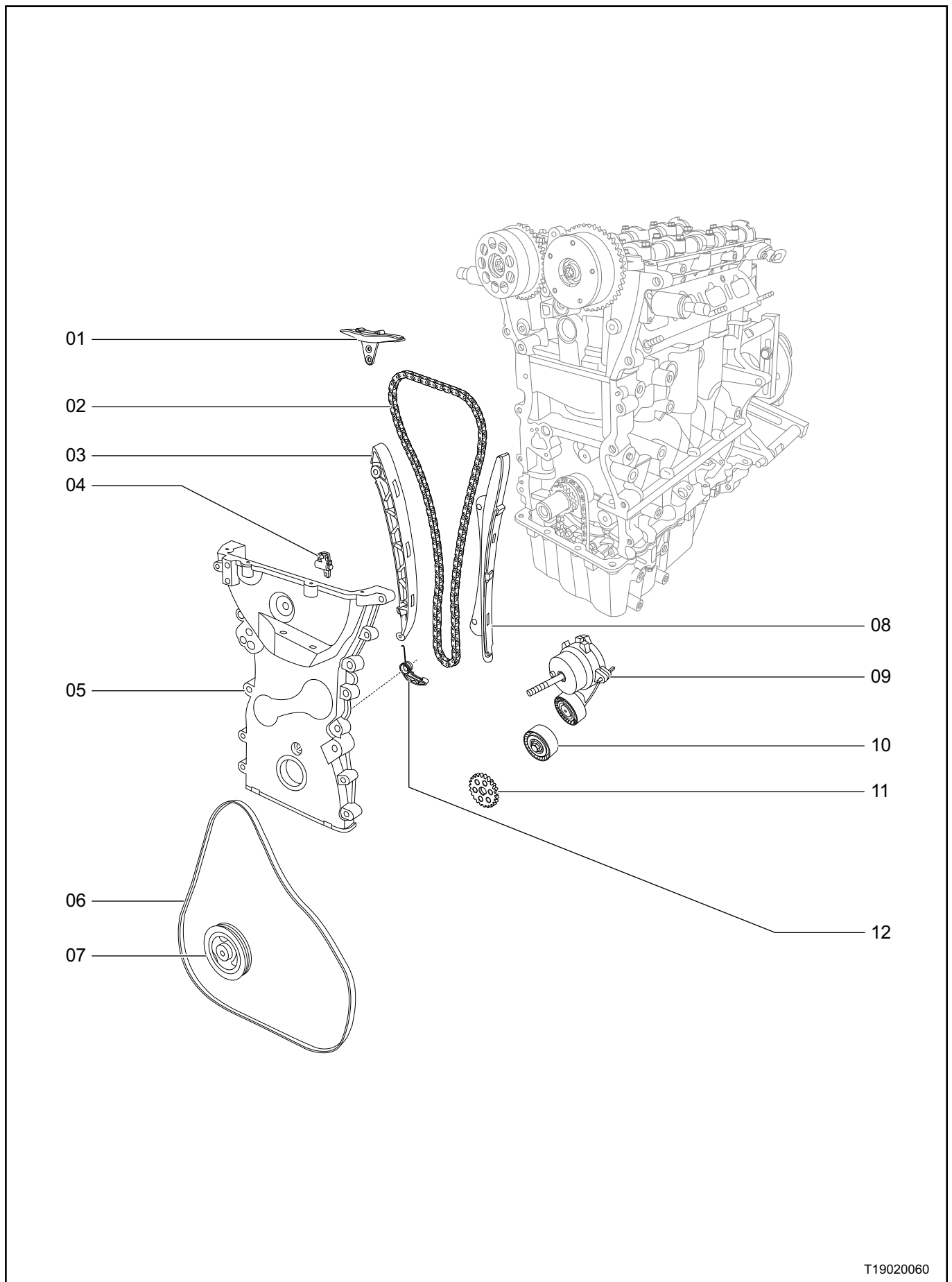
T19020050

No.	Part No.	Station No.	Station Name	Labour Time
01	E4G16-BJ1004120	T19CE4T10041202751	Remove and reinstall red connecting rod bearing assemblies (1 set)	10
		Ex:T19CE4T10041102754	Remove and reinstall 4 connecting rod assys	50
		Ex:T19CE4T10090102701	Remove and reinstall Oil pan assy	100
		Ex:T19CE4T10030102751	Remove and reinstall cylinder head assy	160
		Ex:T19CE4T10070802751	Remove and reinstall Timing chain assy	40
		Ex:T19CE4T10070832701	Remove and reinstall timing sprocket cover	120
	E4G16-BJ1004120BA	T19CE4T10041202761	Remove and reinstall blue connecting rod bearing assemblies (1 set)	10
		Ex:T19CE4T10041102754	Remove and reinstall 4 connecting rod assys	50
		Ex:T19CE4T10090102701	Remove and reinstall Oil pan assy	100
		Ex:T19CE4T10030102751	Remove and reinstall cylinder head assy	160
		Ex:T19CE4T10070802751	Remove and reinstall Timing chain assy	40
		Ex:T19CE4T10070832701	Remove and reinstall timing sprocket cover	120
02	E4G16-1005040	T19CE4T10050402751	Remove and reinstall crankshaft FR oil seal assy	20
		Ex:T19CE4T10050702751	Remove and reinstall torsional shock absorber	20
		Ex:T19CE4T10250512701	Remove and reinstall ribbed belt	40
03	E4G15-1007021	T19CE4T10070212751	Remove and reinstall Crankshaft sprocket	20
		Ex:T19CE4T10070802751	Remove and reinstall Timing chain assy	40
		Ex:T19CE4T10070832701	Remove and reinstall timing sprocket cover	120
04	E4G16-BJ1005013	T19CE4T10050132751	Remove and reinstall Crankshaft bearing assy (1 set) red bearing	0
		Ex:T19CE4T0000E933651	Disassemble and reassemble E4T15C engine assy	350
		Ex:T19CE4T0000E932701	Remove and reinstall E4T15C engine assy	600
	E4G16-BJ1005013BA	T19CE4T10050132761	Remove and reinstall Crankshaft bearing assy (1 set) blue bearing	0
		Ex:T19CE4T0000E933651	Disassemble and reassemble E4T15C engine assy	350
		Ex:T19CE4T0000E932701	Remove and reinstall E4T15C engine assy	600
05	E4T15B-BJ1004030	T19CE4T10040302751	Remove and reinstall piston ring assemblies (1 set)	60
		Ex:T19CE4T10090102701	Remove and reinstall Oil pan assy	100
		Ex:T19CE4T10030102751	Remove and reinstall cylinder head assy	160
		Ex:T19CE4T10070802751	Remove and reinstall Timing chain assy	40
		Ex:T19CE4T10070832701	Remove and reinstall timing sprocket cover	120
06	E4T15B-1004015	T19CE4T10040152751	Remove and reinstall 1 piston	30
		Ex:T19CE4T10090102701	Remove and reinstall Oil pan assy	100
		Ex:T19CE4T10030102751	Remove and reinstall cylinder head assy	160
		Ex:T19CE4T10070802751	Remove and reinstall Timing chain assy	40
		Ex:T19CE4T10070832701	Remove and reinstall timing sprocket cover	120
		T19CE4T10040152752	Remove and reinstall 2 Piston	40
		Ex:T19CE4T10090102701	Remove and reinstall Oil pan assy	100

No.	Part No.	Station No.	Station Name	Labour Time
		Ex:T19CE4T10030102751	Remove and reinstall cylinder head assy	160
		Ex:T19CE4T10070802751	Remove and reinstall Timing chain assy	40
		Ex:T19CE4T10070832701	Remove and reinstall timing sprocket cover	120
		T19CE4T10040152753	Remove and reinstall 3 piston	50
		Ex:T19CE4T10090102701	Remove and reinstall Oil pan assy	100
		Ex:T19CE4T10030102751	Remove and reinstall cylinder head assy	160
		Ex:T19CE4T10070802751	Remove and reinstall Timing chain assy	40
		Ex:T19CE4T10070832701	Remove and reinstall timing sprocket cover	120
		T19CE4T10040152754	Remove and reinstall 4 piston	60
		Ex:T19CE4T10090102701	Remove and reinstall Oil pan assy	100
		Ex:T19CE4T10030102751	Remove and reinstall cylinder head assy	160
		Ex:T19CE4T10070802751	Remove and reinstall Timing chain assy	40
		Ex:T19CE4T10070832701	Remove and reinstall timing sprocket cover	120
07	E4G16-1004031	T19CE4T10040312751	Remove and reinstall 1 piston pin	30
		Ex:T19CE4T10090102701	Remove and reinstall Oil pan assy	100
		Ex:T19CE4T10030102751	Remove and reinstall cylinder head assy	160
		Ex:T19CE4T10070802751	Remove and reinstall Timing chain assy	40
		Ex:T19CE4T10070832701	Remove and reinstall timing sprocket cover	120
		T19CE4T10040312752	Remove and reinstall 2 Piston pin	40
		Ex:T19CE4T10090102701	Remove and reinstall Oil pan assy	100
		Ex:T19CE4T10030102751	Remove and reinstall cylinder head assy	160
		Ex:T19CE4T10070802751	Remove and reinstall Timing chain assy	40
		Ex:T19CE4T10070832701	Remove and reinstall timing sprocket cover	120
		T19CE4T10040312753	Remove and reinstall 3 Piston pin	50
		Ex:T19CE4T10090102701	Remove and reinstall Oil pan assy	100
		Ex:T19CE4T10030102751	Remove and reinstall cylinder head assy	160
		Ex:T19CE4T10070802751	Remove and reinstall Timing chain assy	40
		Ex:T19CE4T10070832701	Remove and reinstall timing sprocket cover	120
		T19CE4T10040312754	Remove and reinstall 4 Piston pin	60
		Ex:T19CE4T10090102701	Remove and reinstall Oil pan assy	100
		Ex:T19CE4T10030102751	Remove and reinstall cylinder head assy	160
		Ex:T19CE4T10070802751	Remove and reinstall Timing chain assy	40
		Ex:T19CE4T10070832701	Remove and reinstall timing sprocket cover	120
08	E4G16-1004043	T19CE4T10040432751	Remove and reinstall 1 elastic retaining ring	30
		Ex:T19CE4T10090102701	Remove and reinstall Oil pan assy	100
		Ex:T19CE4T10030102751	Remove and reinstall cylinder head assy	160
		Ex:T19CE4T10070802751	Remove and reinstall Timing chain assy	40
		Ex:T19CE4T10070832701	Remove and reinstall timing sprocket cover	120

No.	Part No.	Station No.	Station Name	Labour Time
		T19CE4T10040432752	Remove and reinstall 2 elastic retaining ring	40
		Ex:T19CE4T10090102701	Remove and reinstall Oil pan assy	100
		Ex:T19CE4T10030102751	Remove and reinstall cylinder head assy	160
		Ex:T19CE4T10070802751	Remove and reinstall Timing chain assy	40
		Ex:T19CE4T10070832701	Remove and reinstall timing sprocket cover	120
		T19CE4T10040432753	Remove and reinstall 3 elastic retaining ring	50
		Ex:T19CE4T10090102701	Remove and reinstall Oil pan assy	100
		Ex:T19CE4T10030102751	Remove and reinstall cylinder head assy	160
		Ex:T19CE4T10070802751	Remove and reinstall Timing chain assy	40
		Ex:T19CE4T10070832701	Remove and reinstall timing sprocket cover	120
		T19CE4T10040432754	Remove and reinstall 4 elastic retaining ring	60
		Ex:T19CE4T10090102701	Remove and reinstall Oil pan assy	100
		Ex:T19CE4T10030102751	Remove and reinstall cylinder head assy	160
		Ex:T19CE4T10070802751	Remove and reinstall Timing chain assy	40
		Ex:T19CE4T10070832701	Remove and reinstall timing sprocket cover	120
09	E4G16-1004110AC	T19CE4T10041102751	Remove and reinstall 1 connecting rod assy	20
		Ex:T19CE4T10090102701	Remove and reinstall Oil pan assy	100
		Ex:T19CE4T10030102751	Remove and reinstall cylinder head assy	160
		Ex:T19CE4T10070802751	Remove and reinstall Timing chain assy	40
		Ex:T19CE4T10070832701	Remove and reinstall timing sprocket cover	120
		T19CE4T10041102752	Remove and reinstall 2 connecting rod assys	30
		Ex:T19CE4T10090102701	Remove and reinstall Oil pan assy	100
		Ex:T19CE4T10030102751	Remove and reinstall cylinder head assy	160
		Ex:T19CE4T10070802751	Remove and reinstall Timing chain assy	40
		Ex:T19CE4T10070832701	Remove and reinstall timing sprocket cover	120
		T19CE4T10041102753	Remove and reinstall 3 connecting rod assys	40
		Ex:T19CE4T10090102701	Remove and reinstall Oil pan assy	100
		Ex:T19CE4T10030102751	Remove and reinstall cylinder head assy	160
		Ex:T19CE4T10070802751	Remove and reinstall Timing chain assy	40
		Ex:T19CE4T10070832701	Remove and reinstall timing sprocket cover	120
		T19CE4T10041102754	Remove and reinstall 4 connecting rod assys	50
		Ex:T19CE4T10090102701	Remove and reinstall Oil pan assy	100
		Ex:T19CE4T10030102751	Remove and reinstall cylinder head assy	160
		Ex:T19CE4T10070802751	Remove and reinstall Timing chain assy	40
		Ex:T19CE4T10070832701	Remove and reinstall timing sprocket cover	120
10	E4T15B-1002050	T19CE4T10020502751	Remove and reinstall 1-4 piston cooling nozzle	10
		Ex:T19CE4T0000E933651	Disassemble and reassemble E4T15C engine assy	350
		Ex:T19CE4T0000E932701	Remove and reinstall E4T15C engine assy	600

No.	Part No.	Station No.	Station Name	Labour Time
11	E4G16-1005015	T19CE4T10050152751	Remove and reinstall thrust washer - crankshaft	0
		Ex:T19CE4T0000E933651	Disassemble and reassemble E4T15C engine assy	350
		Ex:T19CE4T0000E932701	Remove and reinstall E4T15C engine assy	600
12	E4T15-1005010	T19CE4T10050102751	Remove and reinstall Crankshaft assy	0
		Ex:T19CE4T0000E933651	Disassemble and reassemble E4T15C engine assy	350
		Ex:T19CE4T0000E932701	Remove and reinstall E4T15C engine assy	600
13	481H-1005030BA	T19CE4T10050302751	Remove and reinstall Crankshaft RR oil seal	20
		Ex:T19CE4T10051102751	Remove and reinstall flexible plate assembly	50
		Ex:T19CC2510000392701	Remove and reinstall automatic transmission assy	400

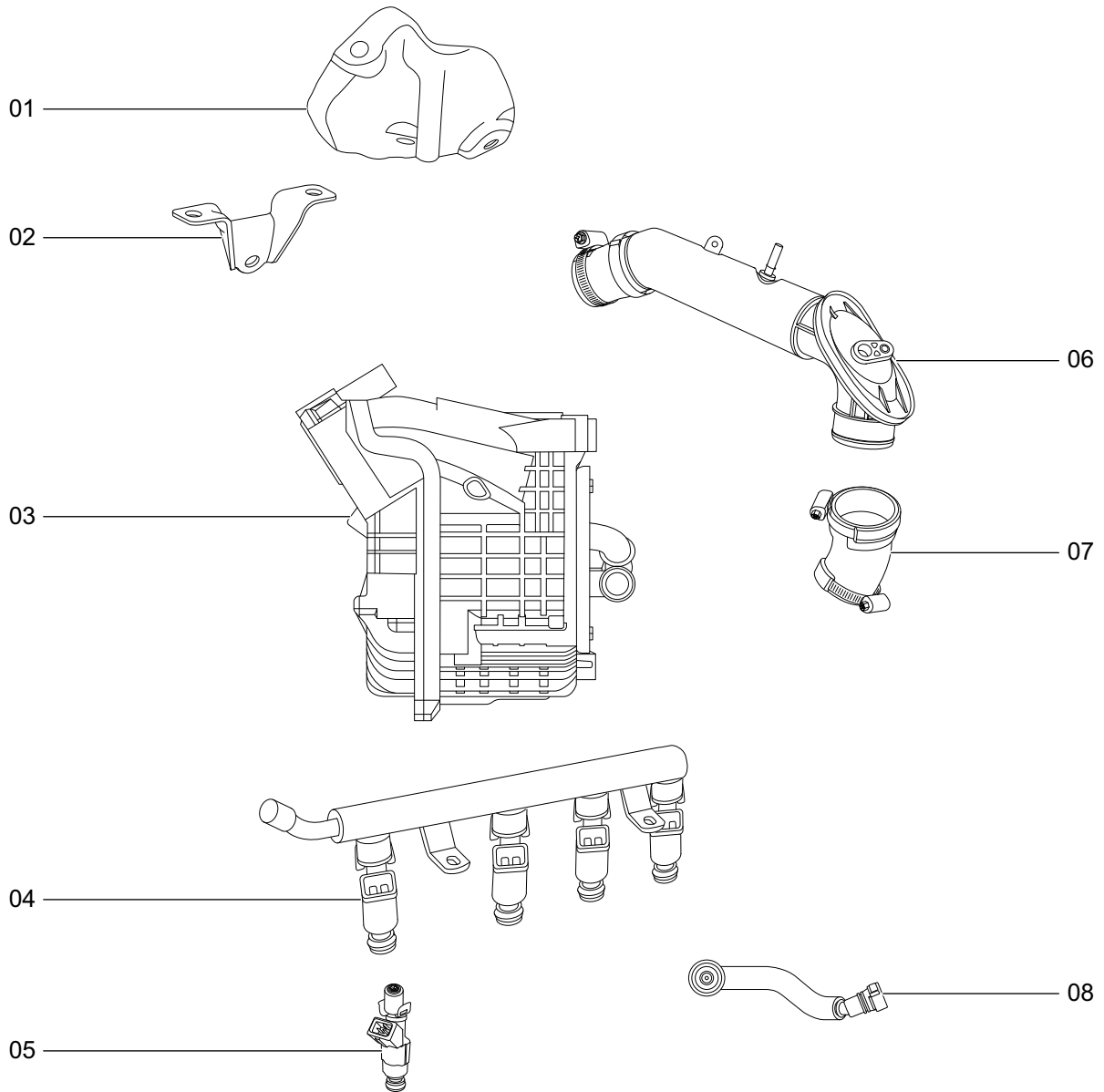


T19020060

No.	Part No.	Station No.	Station Name	Labour Time
01	E4G15-1007070	T19CE4T10070702751	Remove and reinstall UPR TRACK ASSY-CHAIN	10
		Ex:T19CE4T10070832701	Remove and reinstall timing sprocket cover	120
02	E4G18-1007080	T19CE4T10070802751	Remove and reinstall Timing chain assy	40
		Ex:T19CE4T10070832701	Remove and reinstall timing sprocket cover	120
03	E4T16-1007050BA	T19CE4T10070502751	Remove and reinstall movable guide rail assy	10
		Ex:T19CE4T10070832701	Remove and reinstall timing sprocket cover	120
04	E4G16-1007040BA	T19CE4T10070402751	Remove and reinstall hydraulic tensioner assy	10
		Ex:T19CE4T10070832701	Remove and reinstall timing sprocket cover	120
05	E4T16-1007083	T19CE4T10070832701	Remove and reinstall timing sprocket cover	120
06	E4T15-1025051AB	T19CE4T10250512701	Remove and reinstall ribbed belt	40
07	E4G18-1005070	T19CE4T10050702751	Remove and reinstall torsional shock absorber	20
		Ex:T19CE4T10250512701	Remove and reinstall ribbed belt	40
08	E4G16-1007060BA	T19CE4T10070602751	Remove and reinstall fixing guide rail assy	10
		Ex:T19CE4T10070832701	Remove and reinstall timing sprocket cover	120
09	S12-8111200	T19CE4T81112002751	Remove and reinstall tensioner assy	20
		Ex:T19CE4T10250512701	Remove and reinstall ribbed belt	40
10	E4G15-1025070	T19CE4T10250702751	Remove and reinstall Idler assembly	10
		Ex:T19CE4T10250512701	Remove and reinstall ribbed belt	40
11	E4G15-1011037	T19CE4T10110372751	Remove and reinstall oil pump sprocket assy	20
		Ex:T19CE4T10110702751	Remove and reinstall oil pump movable guide rail assy	20
		Ex:T19CE4T10090102701	Remove and reinstall Oil pan assy	100
12	E4G16-1011070BA	T19CE4T10110702751	Remove and reinstall oil pump movable guide rail assy	20
		Ex:T19CE4T10090102701	Remove and reinstall Oil pan assy	100

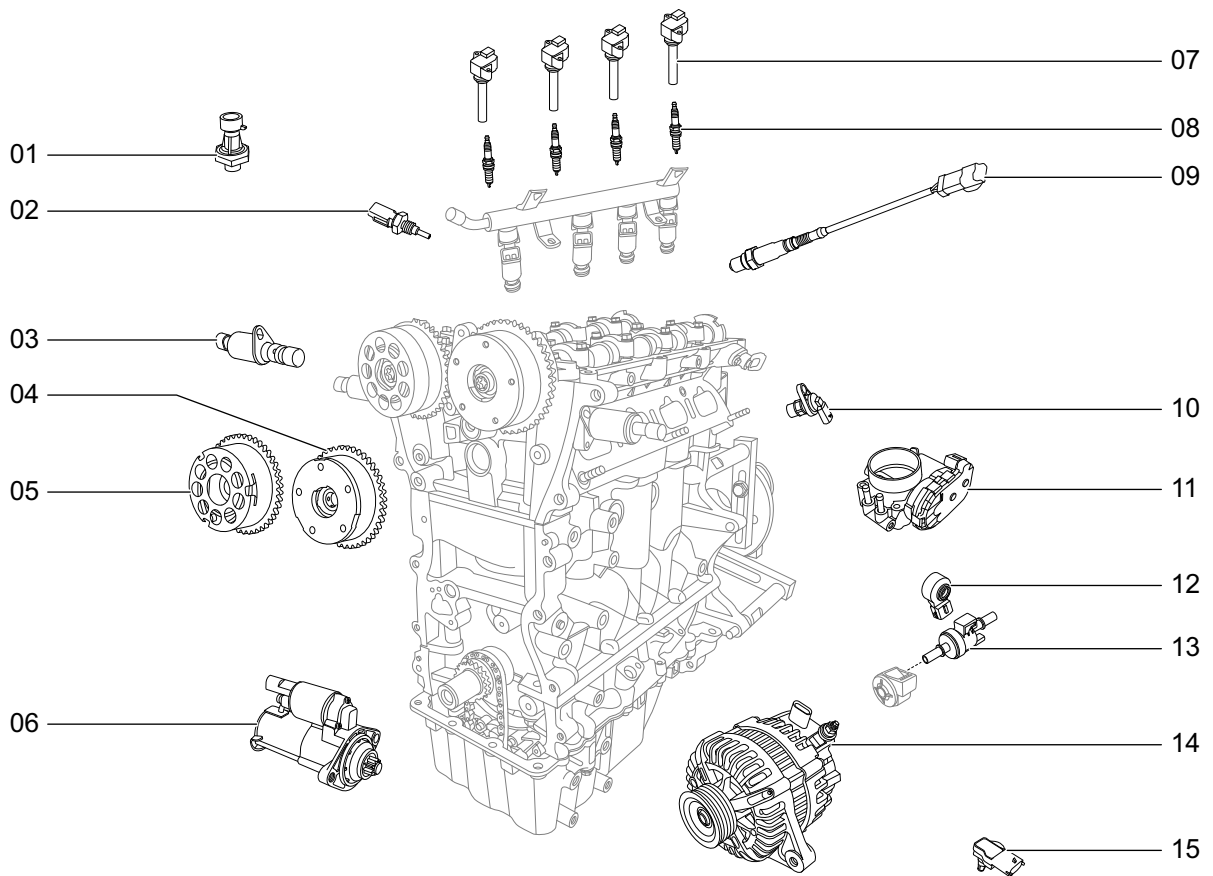
ENGINE ACCESSORY

Intake/exhaust system, fuel rail	03 - 2
Ignition system, electrical control component.....	03 - 4
Cooling system	03 - 6
Turbocharger	03 - 8
Engine management system	03 - 10
Engine hood trim cover	03 - 12
Air filter system	03 - 14
Exhaust hot end	03 - 16
Exhaust cold end.....	03 - 18
Fuel box and canister	03 - 20
Fuel pipe and hardware	03 - 22
Intercooler system.....	03 - 24
High temperature cooling system	03 - 26
Ventilation system	03 - 28



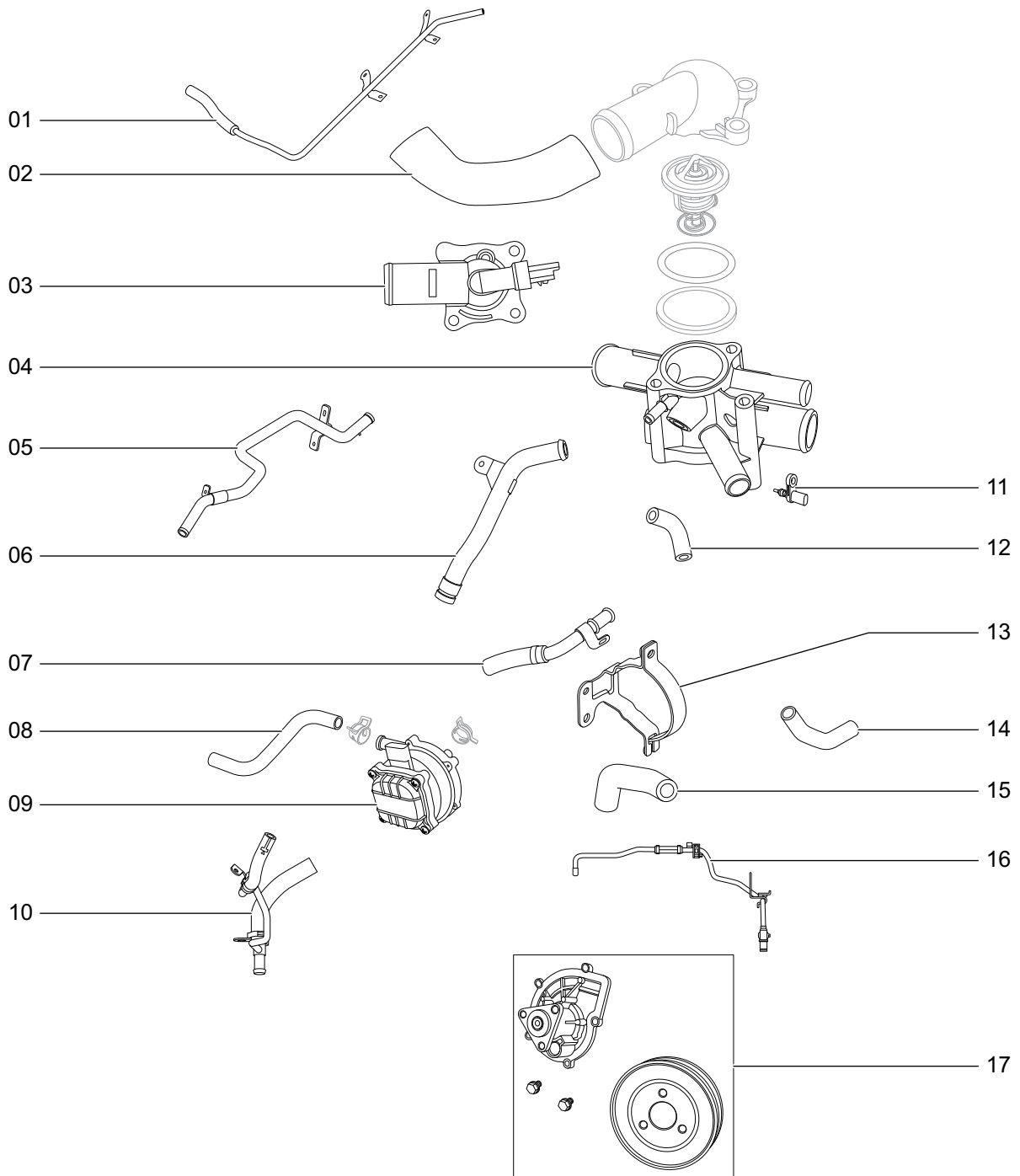
T19030010

No.	Part No.	Station No.	Station Name	Labour Time
01	E4T15B-1118017	T19CE4T11180172751	Remove and reinstall heat insulator - turbocharger	20
		Ex:T19CE4T11180162701	Remove and reinstall bracket - turbocharger	20
02	E4T15B-1118016	T19CE4T11180162701	Remove and reinstall bracket - turbocharger	20
03	E4T15C-1008010	T19CE4T10080102751	Remove and reinstall intake manifold assy	100
		Ex:T19CE4T37650102701	Remove and reinstall throttle valve body assy	40
04	E4T15C-1121010	T19CE4T11210102701	Remove and reinstall fuel rail injector assy	50
05	F01R00M191	T19CE4T1R00M192701	Remove and reinstall injector assy	50
06	E4T15C-1118091	T19CE4T11180912701	Remove and reinstall muffler - turbocharger	30
07	E4T15B-1118092AB	T19CE4T11180922701	Remove and reinstall hose - muffler	20
08	E4T15C-1014031	T19CE4T10140312701	Remove and reinstall hose - intake manifold	20



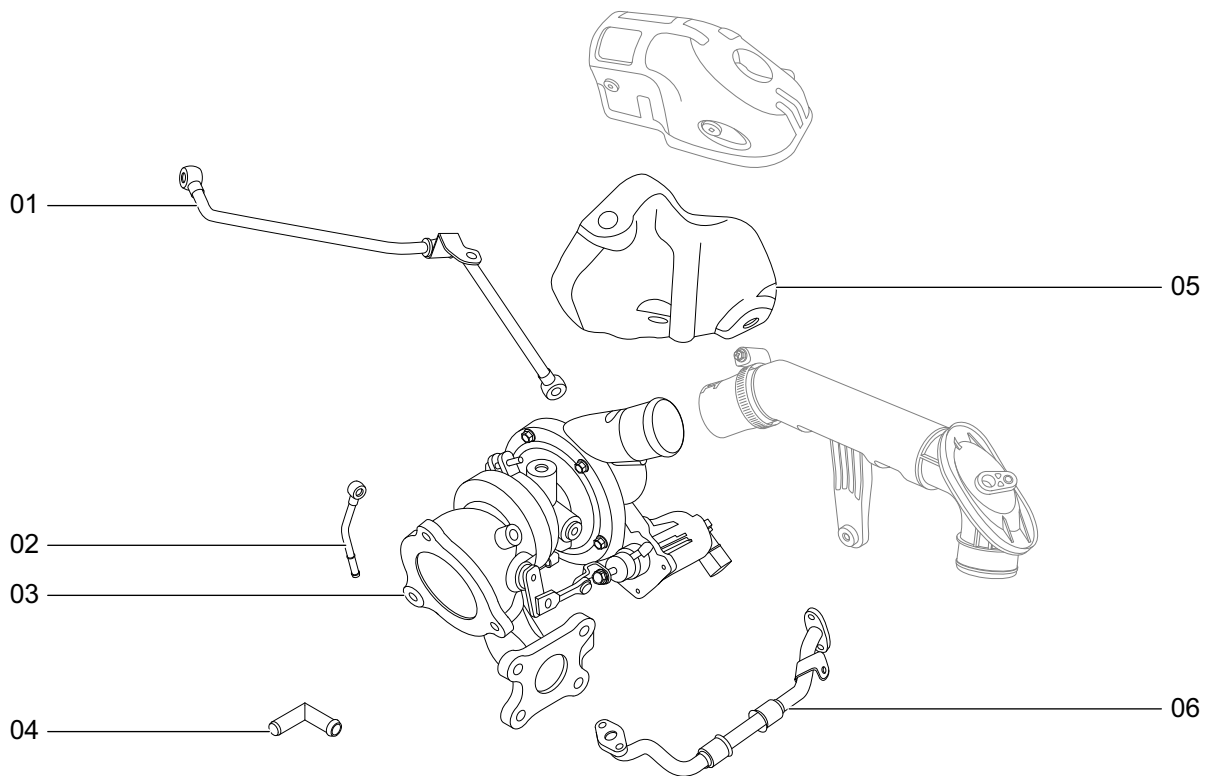
T19030020

No.	Part No.	Station No.	Station Name	Labour Time
01	F4J16-3810010	T19CE4T38100102701	Remove and reinstall oil pressure switch	30
02	D4G15B-3611043	T19CE4T36110432751	Remove and reinstall coolant temperature sensor	20
		Ex:T19CKKK10140322701	Remove and reinstall hose - air intake hose	20
03	E4G16-3611091	T19CE4T36110912701	Remove and reinstall Camshaft phaser assy control valve	30
04	E4G16-1006040BB	T19CE4T10060402761	Remove and reinstall intake phaser	20
		Ex:T19CE4T10070802751	Remove and reinstall Timing chain assy	40
		Ex:T19CE4T10070832701	Remove and reinstall timing sprocket cover	120
	E4G16-1006040BC	T19CE4T10060402751	Remove and reinstall intake camshaft phaser assy	20
		Ex:T19CE4T10070802751	Remove and reinstall Timing chain assy	40
		Ex:T19CE4T10070832701	Remove and reinstall timing sprocket cover	120
05	E4G16-1006060BB	T19CE4T10060602761	Remove and reinstall exhaust phaser	20
		Ex:T19CE4T10070802751	Remove and reinstall Timing chain assy	40
		Ex:T19CE4T10070832701	Remove and reinstall timing sprocket cover	120
	E4G16-1006060BC	T19CE4T10060602751	Remove and reinstall exhaust camshaft phaser assy	20
		Ex:T19CE4T10070802751	Remove and reinstall Timing chain assy	40
		Ex:T19CE4T10070832701	Remove and reinstall timing sprocket cover	120
06	E4T15-3708010AB	T19CE4T37080102701	Remove and reinstall starter assy	50
07	F4J16-3705110AB	T19CE4T37051102701	Remove and reinstall 1-4 ignition coil assy	20
08	F4J16-3707010	T19CE4T37070102751	Remove and reinstall 1-4 spark plug assy	10
		Ex:T19CE4T37051102701	Remove and reinstall 1-4 ignition coil assy	20
09	B21-1205310	T19CE4T12053102701	Remove and reinstall Oxygen sensor(FR)	30
10	D4G15B-3611011	T19CE4T36110112701	Remove and reinstall camshaft position sensor	30
11	E4G15B-3765010	T19CE4T37650102701	Remove and reinstall throttle valve body assy	40
12	E4G15C-3611031	T19CE4T36110312701	Remove and reinstall knock sensor	30
13	F4J16-1130011	T19CE4T11300112701	Remove and reinstall Charcoal canister solenoid valve	20
14	E4T15B-3701010CA	T19CE4T37010102751	Remove and reinstall Generator assy	40
		Ex:T19CE4T10250512701	Remove and reinstall ribbed belt	40
15	B11-3614022	T19CE4T36140222701	Remove and reinstall boost pressure sensor	30



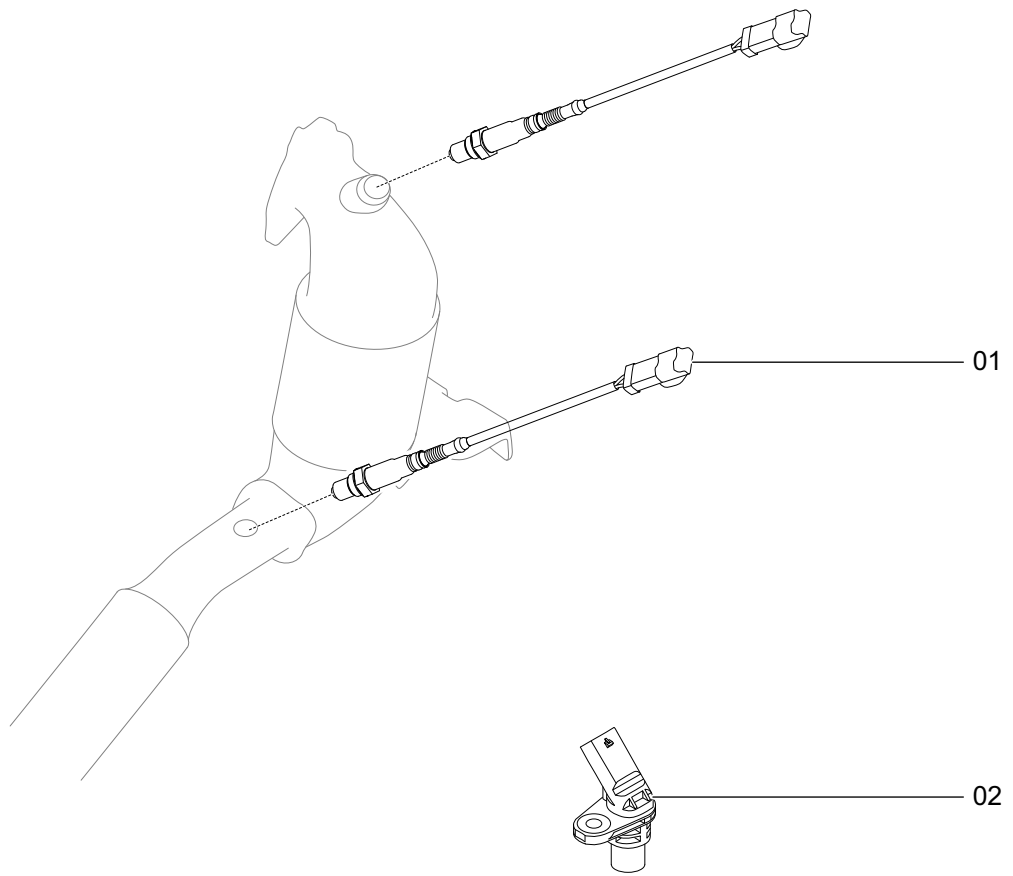
T19030030

No.	Part No.	Station No.	Station Name	Labour Time
01	E4T15B-1303011	T19CE4T13030112751	Remove and reinstall exhaust steel pipe	40
		Ex:T19CKKK47041132101	Fill antifreeze coolant	20
02	E4G16-1303711CA	T19CE4T13037112751	Remove and reinstall small circulation water hose	30
		Ex:T19CKKK47041132101	Fill antifreeze coolant	20
03	E4T15-1306110	T19CE4T13061102751	Remove and reinstall Electronic thermostat assy	40
		Ex:T19CKKK47041132101	Fill antifreeze coolant	20
04	E4T15C-1306030	T19CE4T13060302751	Remove and reinstall thermostat seat assy	60
		Ex:T19CKKK47041132201	Drain and fill antifreeze coolant	40
05	J60-1119641	T19CE4T11196412751	Remove and reinstall water hose - expansion tank to water pump	20
		Ex:T19CKKK47041132101	Fill antifreeze coolant	20
06	E4T15B-1303310	T19CE4T13033102751	Remove and reinstall cooling water hose assy I	60
		Ex:T19CKKK47041132201	Drain and fill antifreeze coolant	40
07	E4T15B-1303010	T19CE4T13030102751	Remove and reinstall heater water hose assy	30
		Ex:T19CKKK47041132101	Fill antifreeze coolant	20
08	E4T15B-1118058	T19CE4T11180582751	Remove and reinstall Water outlet hose - electronic water pump	30
		Ex:T19CKKK47041132101	Fill antifreeze coolant	20
09	E4T15B-1118050	T19CE4T11180502751	Remove and reinstall electronic water pump	60
		Ex:T19CKKK47041132101	Fill antifreeze coolant	20
10	E4T15B-1118059	T19CE4T11180592751	Remove and reinstall water inlet pipe set-turbocharger	70
		Ex:T19CKKK47041132101	Fill antifreeze coolant	20
11	E3T10-3611043	T19CE4T36110432701	Remove and reinstall coolant temperature sensor	40
12	E4T15B-3541011	T19CE4T35410112701	Remove and reinstall vacuum tube - intake manifold	30
13	E4T15B-1118011	T19CE4T11180112701	Remove and reinstall Bracket - electronic water pump	30
14	E4T15B-1118054	T19CE4T11180542751	Remove and reinstall Water inlet hose - intercooler	20
		Ex:T19CKKK47041132101	Fill antifreeze coolant	20
15	E4T15B-1118052	T19CE4T11180522751	Remove and reinstall water inlet hose - turbocharger	30
		Ex:T19CKKK47041132101	Fill antifreeze coolant	20
16	E4T15C-1118063	T19CE4T11180632751	Remove and reinstall water outlet pipe set	70
		Ex:T19CKKK47041132101	Fill antifreeze coolant	20
17	E4G16-1307010AB	T19CE4T13070102751	Remove and reinstall water pump and seal ring assy	90
		Ex:T19CKKK47041132201	Drain and fill antifreeze coolant	40



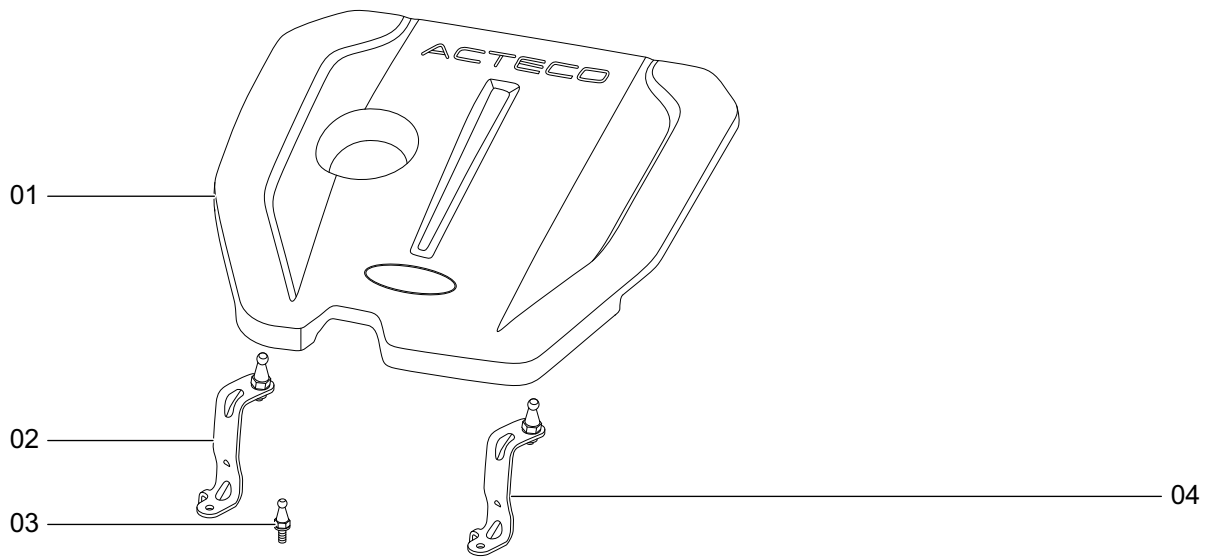
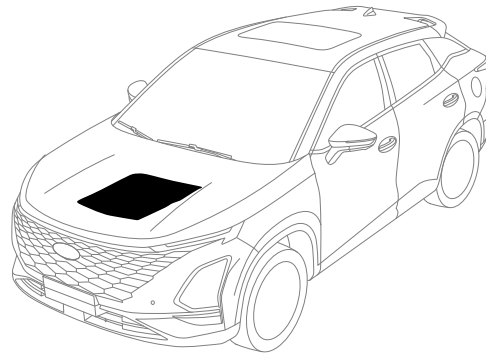
T19030040

No.	Part No.	Station No.	Station Name	Labour Time
01	E4T15B-1118020	T19CE4T11180202701	Remove and reinstall oil inlet pipe - turbocharger	50
02	E4T15B-1118040	T19CE4T11180402701	Remove and reinstall water inlet steel pipe - turbocharger	30
03	E4T15C-1118010	T19CE4T11180102751	Remove and reinstall Turbocharger assy	150
		Ex:T19CKKK12050102701	Remove and reinstall precatalytic conversion assy	60
04	477F-1003035	T19CE4T10030352751	Remove and reinstall right-angle elbow pipe	50
		Ex:T19CKKK47041132201	Drain and fill antifreeze coolant	40
05	E4T15B-1118013	T19CE4T11180132701	Remove and reinstall heat insulator II - turbocharger	30
06	E4T15B-1118030	T19CE4T11180302701	Remove and reinstall Oil return pipe - turbocharger	50



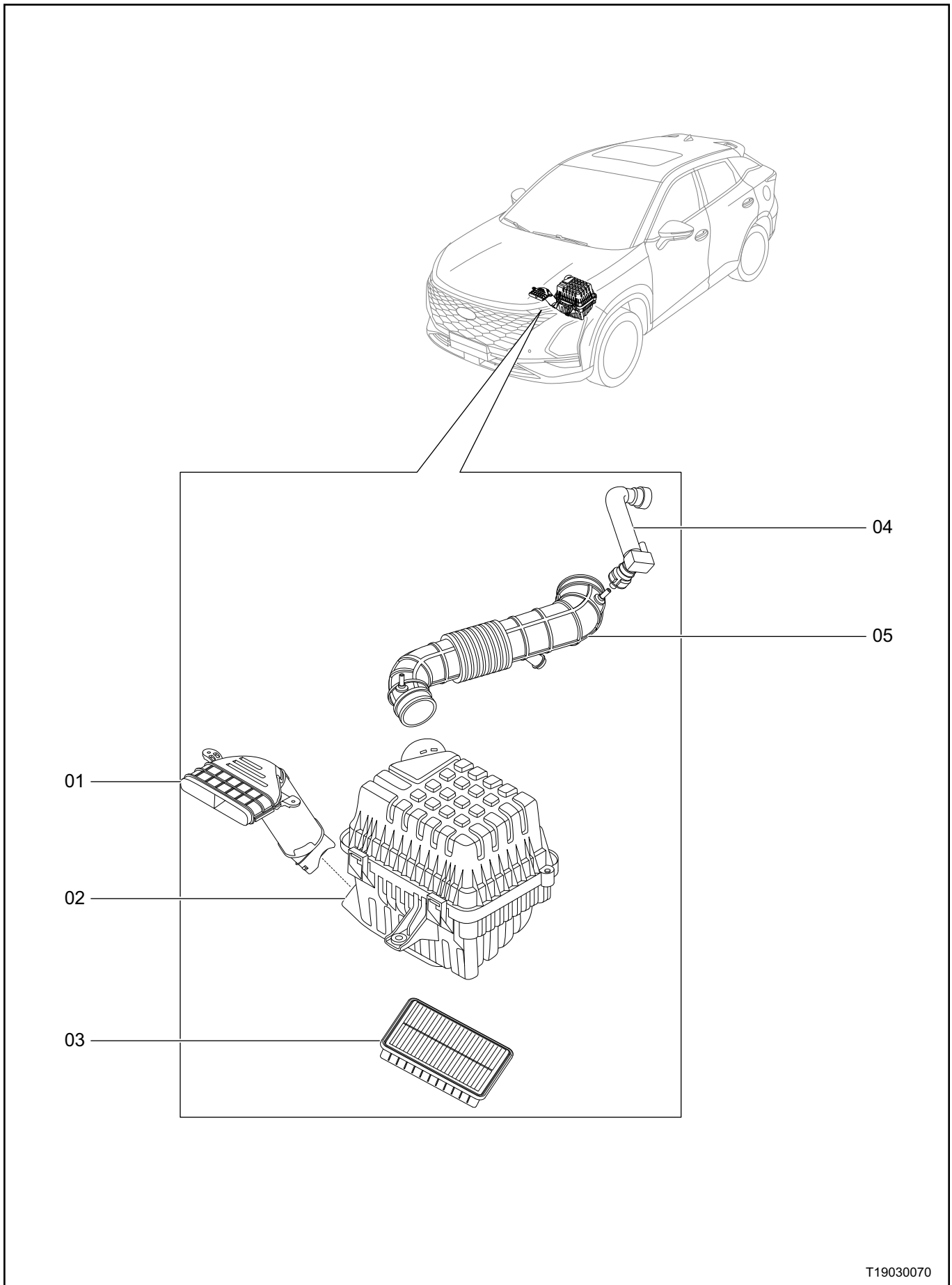
T19030050

No.	Part No.	Station No.	Station Name	Labour Time
01	J60-3611061	T19CKKK36110612701	Remove and reinstall Oxygen sensor (RR)	20
02	J60-3611021	T19CKKK36110212701	Remove and reinstall engine speed sensor	30



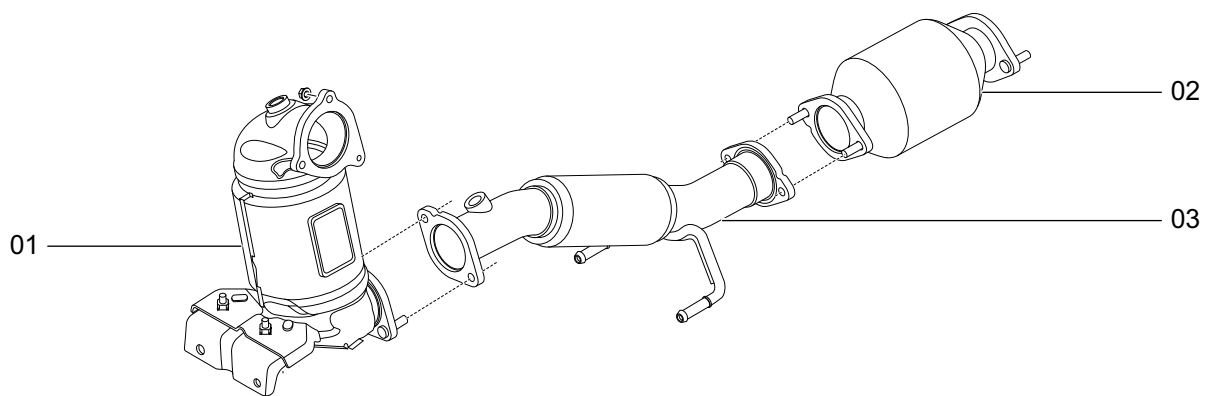
T19030060

No.	Part No.	Station No.	Station Name	Labour Time
01	J60-1031110AB	T19CKKK10311102701	Remove and reinstall engine trim cover assy	10
02	T15-1031220AD	T19CKKK10312202701	Remove and reinstall trim cover bracket assy II	10
03	M11-1031211DC	T19CKKK10312112701	Remove and reinstall tappet	10
04	T15-1031210AD	T19CKKK10312102701	Remove and reinstall trim cover bracket assy I	10



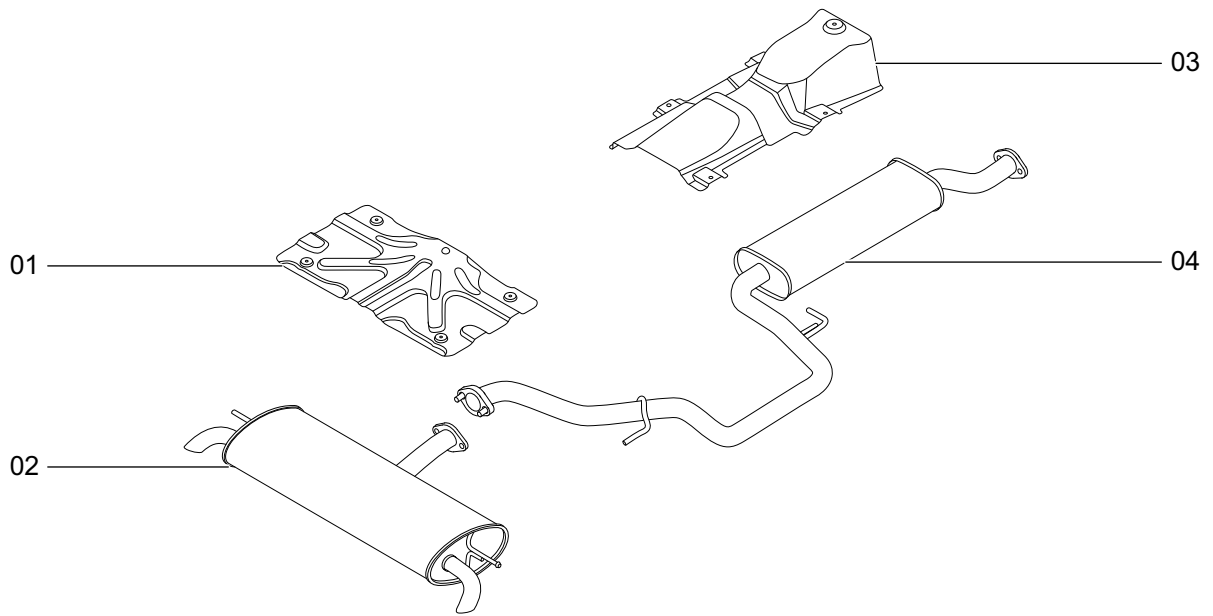
T19030070

No.	Part No.	Station No.	Station Name	Labour Time
01	T15-1109510	T19CKKK11095102701	Remove and reinstall air guide hose assy	30
02	T15-1109110	T19CKKK11091102701	Remove and reinstall air filter assy	30
	T15-1109110AD	T19CKKK11091102711	Remove and reinstall air filter assy	30
03	T15-1109111	T19CKKK11091112701	Remove and reinstall filter element	20
04	E4T15C-1014032AE	T19CKKK10140322701	Remove and reinstall hose - air intake hose	20
	E4T15C-1014032	T19CKKK10140322711	Remove and reinstall hose - air intake hose	20
05	T15-1109210AD	T19CKKK11092102701	Remove and reinstall air intake hose assy	30



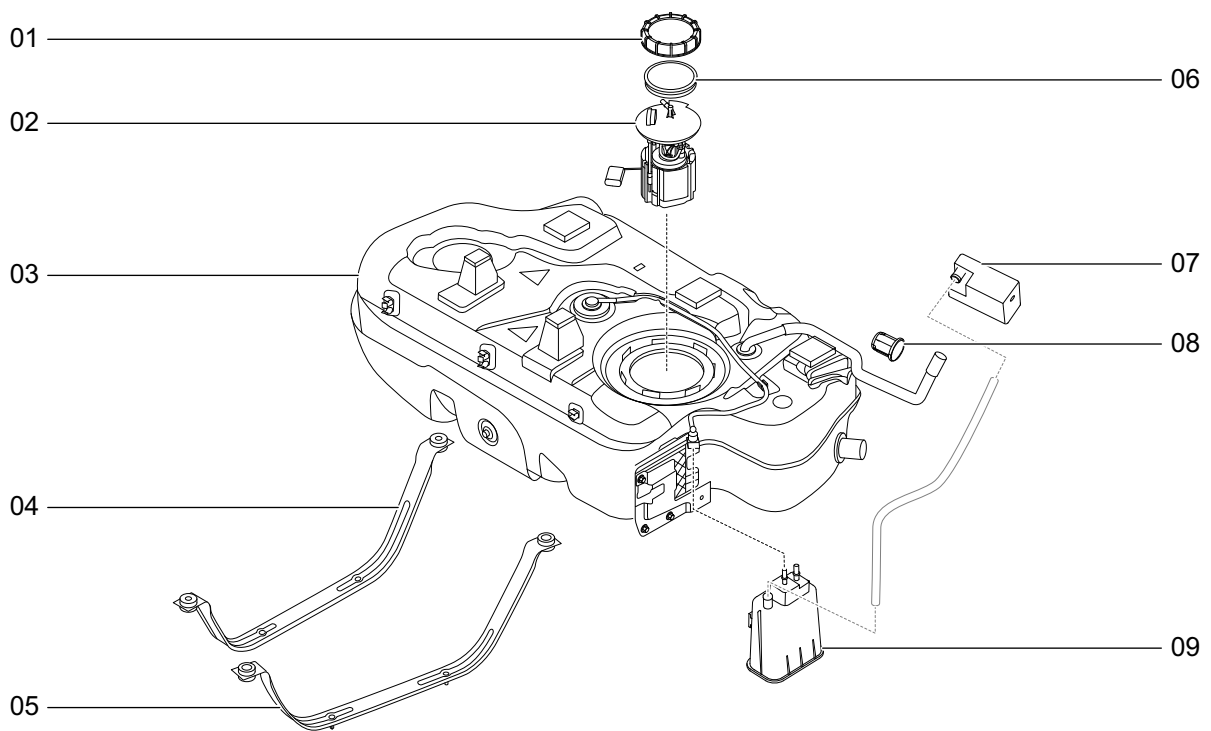
T19030080

No.	Part No.	Station No.	Station Name	Labour Time
01	T15-1205010AH	T19CKKK12050102701	Remove and reinstall precatalytic conversion assy	60
02	T15-1205030AH	T19CKKK12050302701	Remove and reinstall main catalytic converter assy	40
03	T15-1203010	T19CKKK12030102701	Remove and reinstall exhaust FR pipe assy	40



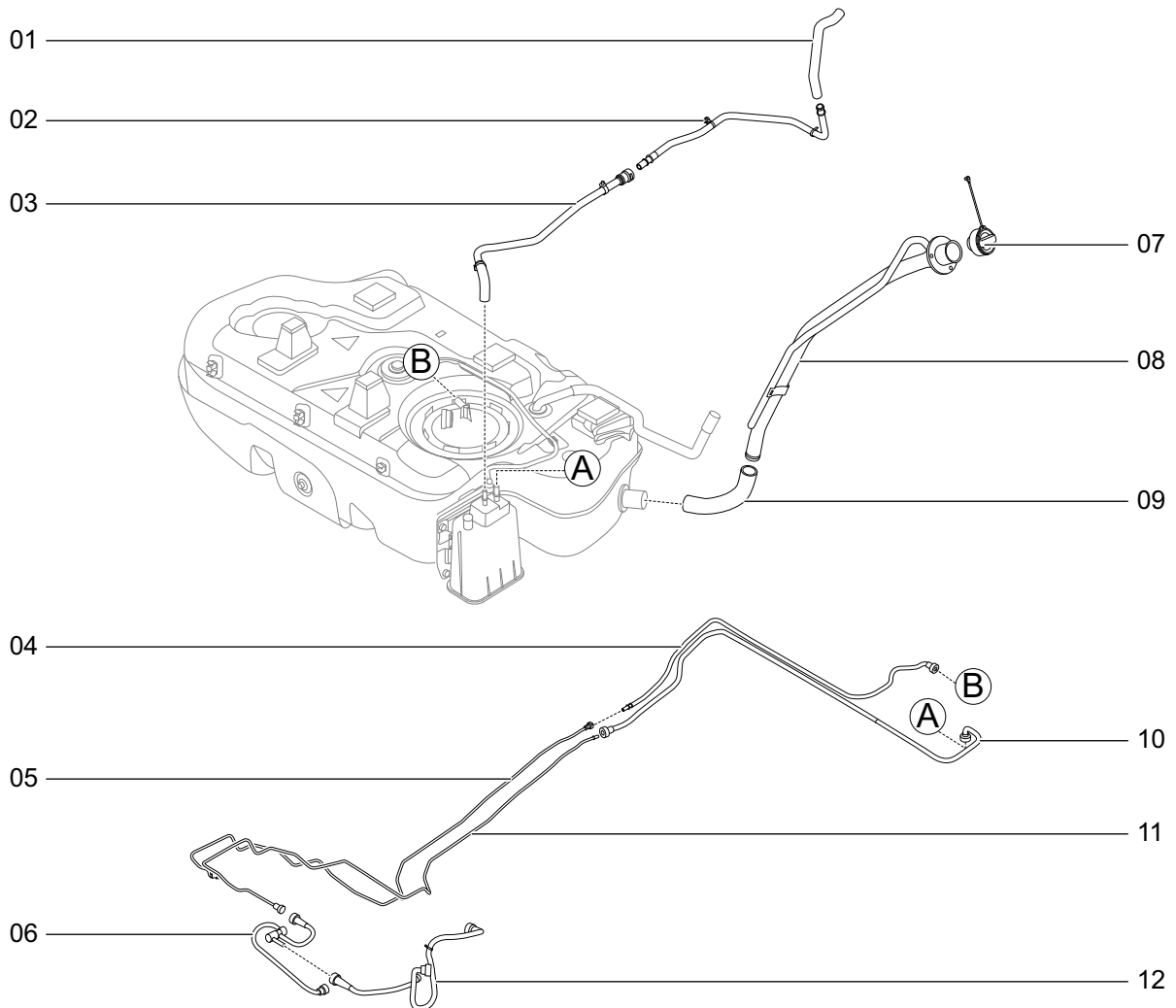
T19030090

No.	Part No.	Station No.	Station Name	Labour Time
01	T15-1204011	T19CKKK12040112701	Remove and reinstall Muffler heat insulator l	30
02	153000308AA	T19CKKK30003082701	Remove and reinstall RR silencer assy	30
03	153000451AA	T19CKKK30004512701	Remove and reinstall Front muffler heat shield	30
04	153000307AA	T19CKKK30003072701	Remove and reinstall FR silencer assy	30



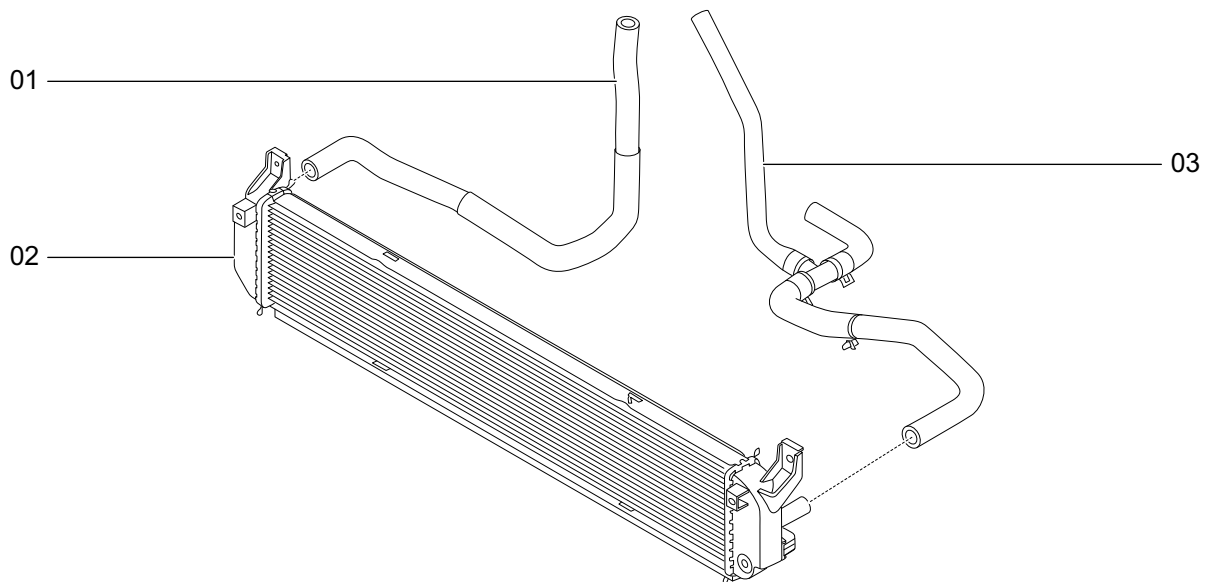
T19030100

No.	Part No.	Station No.	Station Name	Labour Time
01	J60-1101012	T19CKKK11010122751	Remove and reinstall fuel tank pressure cap	20
		Ex:T19CKKK20037172701	Remove and reinstall Rear seat cushion	20
02	155000420AA	T19CKKK50004202751	Remove and reinstall electric fuel pump assy	20
		Ex:T19CKKK11010122751	Remove and reinstall fuel tank pressure cap	20
		Ex:T19CKKK20037172701	Remove and reinstall Rear seat cushion	20
03	155000925AA	T19CKKK50009252701	Remove and reinstall fuel tank assy	100
04	155000843AA	T19CKKK50008432701	Remove and reinstall fuel tank fixing strap II	20
05	155000842AA	T19CKKK50008422701	Remove and reinstall fuel tank fixing strap I	20
06	155000100AA	T19CKKK50001002751	Remove and reinstall Fuel tank seal ring	0
		Ex:T19CKKK50004202751	Remove and reinstall electric fuel pump assy	20
		Ex:T19CKKK11010122751	Remove and reinstall fuel tank pressure cap	20
		Ex:T19CKKK20037172701	Remove and reinstall Rear seat cushion	20
07	T15-1208016	T19CKKK12080162751	Remove and reinstall charcoal canister filter	20
		Ex:T19CKKK20016922751	Remove and reinstall RR wheel house protector assy LH	30
		Ex:T19CKKK90011782701	Remove and reinstall RR wheel arch trim assy LH	10
08	J42-1101016	T19CKKK11010162751	Remove and reinstall Fuel filler vent hose sleeve	20
		Ex:T19CKKK20016922751	Remove and reinstall RR wheel house protector assy LH	30
		Ex:T19CKKK90011782701	Remove and reinstall RR wheel arch trim assy LH	10
09	T15-1208010	T19CKKK12080102751	Remove and reinstall charcoal canister assy	20
		Ex:T19CKKK20016922751	Remove and reinstall RR wheel house protector assy LH	30
		Ex:T19CKKK90011782701	Remove and reinstall RR wheel arch trim assy LH	10



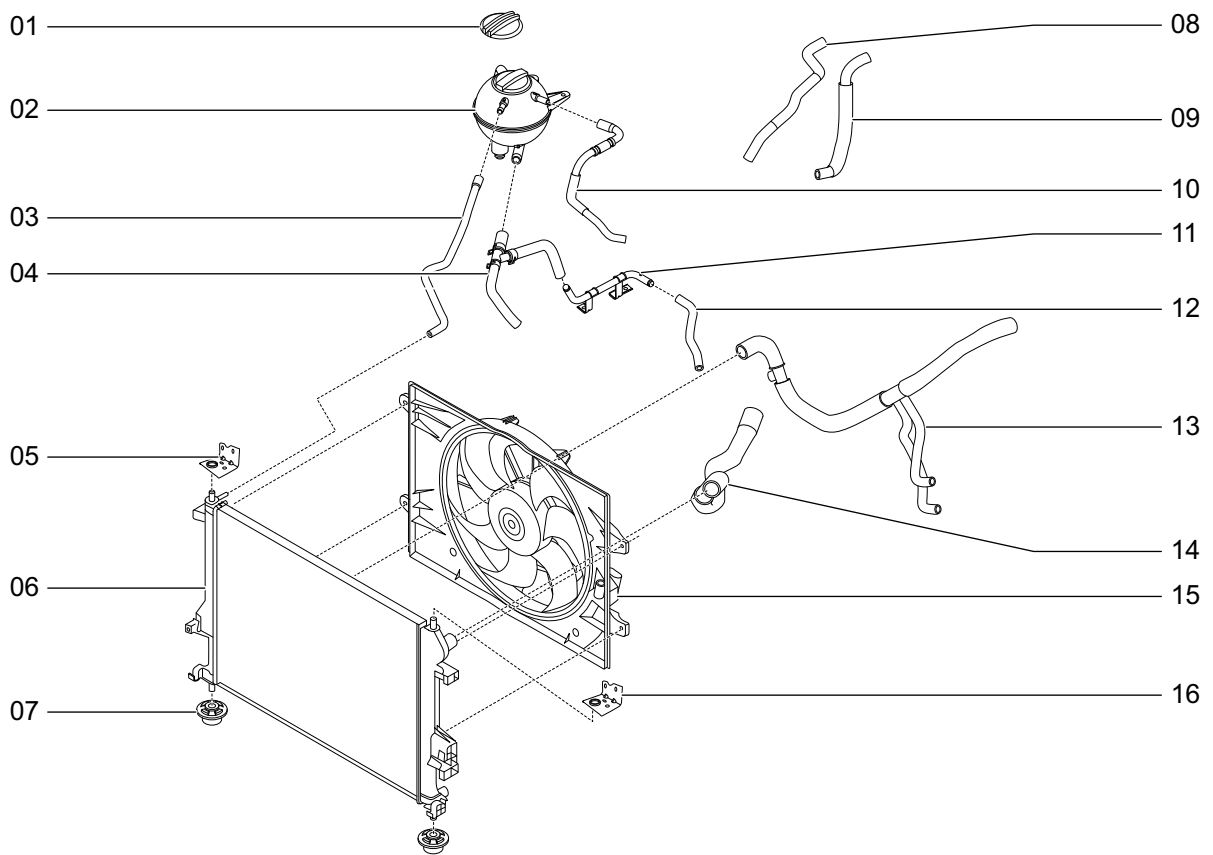
T19030110

No.	Part No.	Station No.	Station Name	Labour Time
01	155000175AA	T19CKKK50001752751	Remove and reinstall activated charcoal canister vent hose III	10
		Ex:T19CKKK20016922751	Remove and reinstall RR wheel house protector assy LH	30
		Ex:T19CKKK90011782701	Remove and reinstall RR wheel arch trim assy LH	10
02	155000174AA	T19CKKK50001742751	Remove and reinstall charcoal canister vent pipe II	10
		Ex:T19CKKK20016922751	Remove and reinstall RR wheel house protector assy LH	30
		Ex:T19CKKK90011782701	Remove and reinstall RR wheel arch trim assy LH	10
03	155000935AA	T19CKKK50009352751	Remove and reinstall charcoal canister vent hose assy	20
		Ex:T19CKKK50009252701	Remove and reinstall fuel tank assy	100
04	155000990AA	T19CKKK50009902751	Remove and reinstall Fuel inlet pipe I assy	20
		Ex:T19CKKK51070112751	Remove and reinstall fuel tank sightglass cover	10
		Ex:T19CKKK20037172701	Remove and reinstall Rear seat cushion	20
05	155000646AA	T19CKKK50006462701	Remove and reinstall fuel inlet pipe II assy	40
06	155000644AA	T19CKKK50006442701	Remove and reinstall charcoal canister solenoid valve air outlet hose	20
07	J42-1103010	T19CKKK11030102701	Remove and reinstall fuel tank cap assy	10
08	155000838AA	T19CKKK50008382751	Remove and reinstall fuel filler pipe assy	50
		Ex:T19CKKK20016922751	Remove and reinstall RR wheel house protector assy LH	30
		Ex:T19CKKK90011782701	Remove and reinstall RR wheel arch trim assy LH	10
09	155001041AA	T19CKKK50010412701	Remove and reinstall fuel filler hose	30
10	155000992AA	T19CKKK50009922701	Remove and reinstall fuel vapor pipe II assy	40
11	155000647AA	T19CKKK50006472701	Remove and reinstall fuel vapor pipe III	40
12	T15-1208032	T19CKKK12080322701	Remove and reinstall Charcoal canister solenoid valve air outlet hose II assy	40



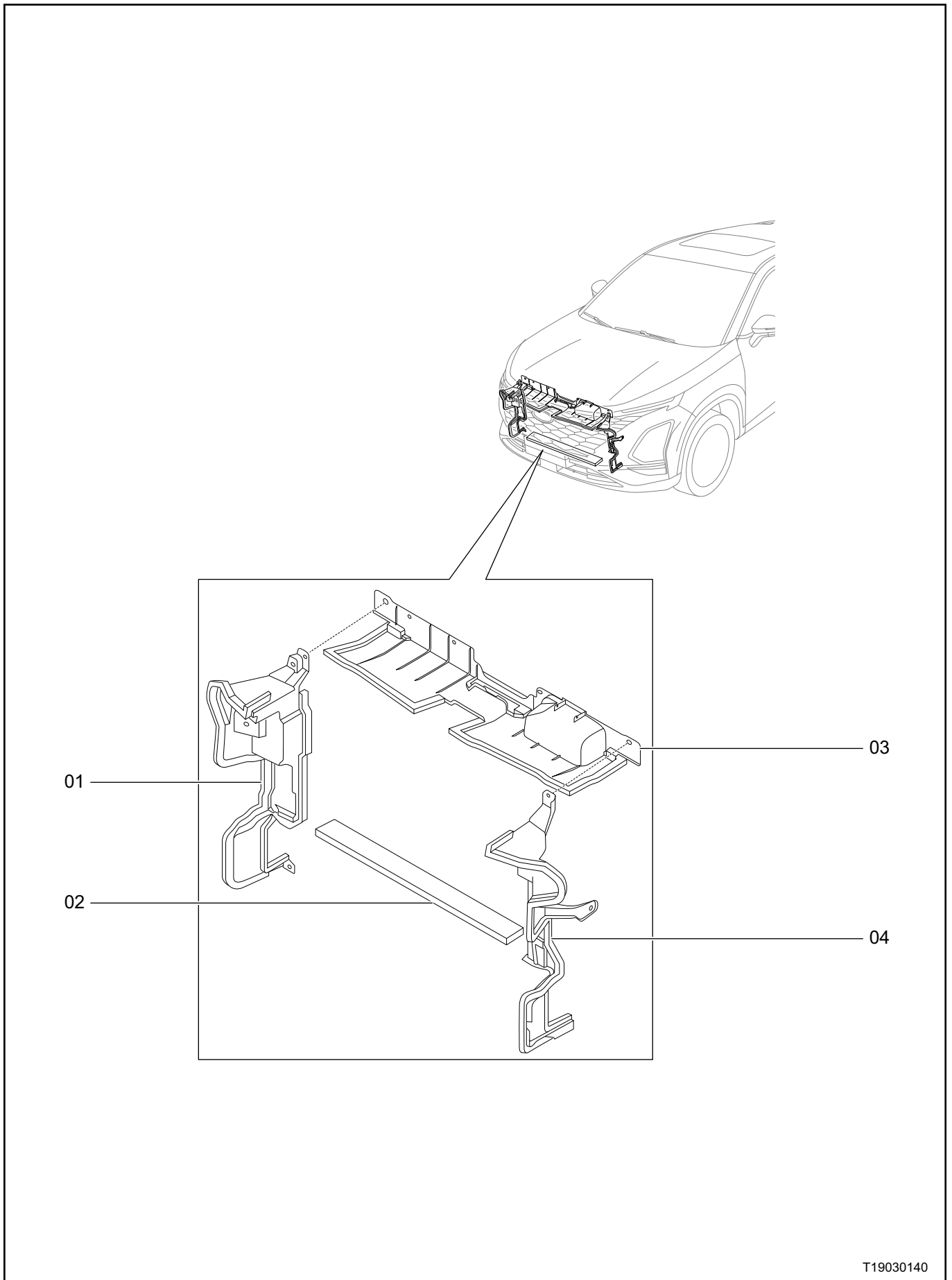
T19030120

No.	Part No.	Station No.	Station Name	Labour Time
01	302000977AA	T19CKKK20009772751	Remove and reinstall low temperature radiator water inlet pipe	30
		Ex:T19CKKK47041132101	Fill antifreeze coolant	20
02	302000632AA	T19CKKK20006322751	Remove and reinstall Low temperature radiator assy	60
		Ex:T19CKKK47041132201	Drain and fill antifreeze coolant	40
		Ex:T19CKKK20027772701	Remove and reinstall FR bumper UPR body	50
03	302000978AA	T19CKKK20009782751	Remove and reinstall Low temperature radiator water outlet pipe	30
		Ex:T19CKKK47041132101	Fill antifreeze coolant	20



T19030130

No.	Part No.	Station No.	Station Name	Labour Time
01	T21-1311120	T19CKKK13111202701	Remove and reinstall Expansion tank cap	10
02	302001073AA	T19CKKK20010732701	Remove and reinstall expansion tank assy	20
03	302001288AA	T19CKKK20012882751	Remove and reinstall water hose - radiator to expansion tank	20
		Ex:T19CKKK47041132101	Fill antifreeze coolant	20
04	T15-1303801CA	T19CKKK13038012751	Remove and reinstall water hose - expansion tank to water pump	20
		Ex:T19CKKK47041132101	Fill antifreeze coolant	20
05	501001902AA	T19CKKK10019022751	Remove and reinstall expansion tank upper right mounting bracket	20
		Ex:T19CKKK20027772701	Remove and reinstall FR bumper UPR body	50
06	302000021AA	T19CKKK20000212751	Remove and reinstall radiator assy	50
		Ex:T19CKKK47041132201	Drain and fill antifreeze coolant	40
		Ex:T19CKKK20027772701	Remove and reinstall FR bumper UPR body	50
07	302000027AA	T19CKKK20000272751	Remove and reinstall Rubber cushion	10
		Ex:T19CKKK20000212751	Remove and reinstall radiator assy	50
		Ex:T19CKKK47041132201	Drain and fill antifreeze coolant	40
		Ex:T19CKKK20027772701	Remove and reinstall FR bumper UPR body	50
08	302000766AA	T19CKKK20007662751	Remove and reinstall heater water outlet pipe	30
		Ex:T19CKKK47041132201	Drain and fill antifreeze coolant	40
09	T15-1303417CA	T19CKKK13034172751	Remove and reinstall Heater water inlet pipe	30
		Ex:T19CKKK47041132201	Drain and fill antifreeze coolant	40
10	T15-1303701CA	T19CKKK13037012751	Remove and reinstall water hose - engine to expansion tank	20
		Ex:T19CKKK47041132201	Drain and fill antifreeze coolant	40
11	302001328AA	T19CKKK20013282751	Remove and reinstall water hose - expansion tank to water pump II	30
		Ex:T19CKKK47041132101	Fill antifreeze coolant	20
12	302001329AA	T19CKKK20013292751	Remove and reinstall water hose - expansion tank to water pump III	20
		Ex:T19CKKK47041132101	Fill antifreeze coolant	20
13	302001155AA	T19CKKK20011552751	Remove and reinstall engine water inlet pipe	30
		Ex:T19CKKK47041132201	Drain and fill antifreeze coolant	40
14	302001156AA	T19CKKK20011562751	Remove and reinstall Engine water outlet pipe	20
		Ex:T19CKKK47041132201	Drain and fill antifreeze coolant	40
15	302000916AA	T19CKKK20009162701	Remove and reinstall cooling fan assy	50
16	501001900AA	T19CKKK10019002751	Remove and reinstall expansion tank upper left mounting bracket	20
		Ex:T19CKKK20027772701	Remove and reinstall FR bumper UPR body	50

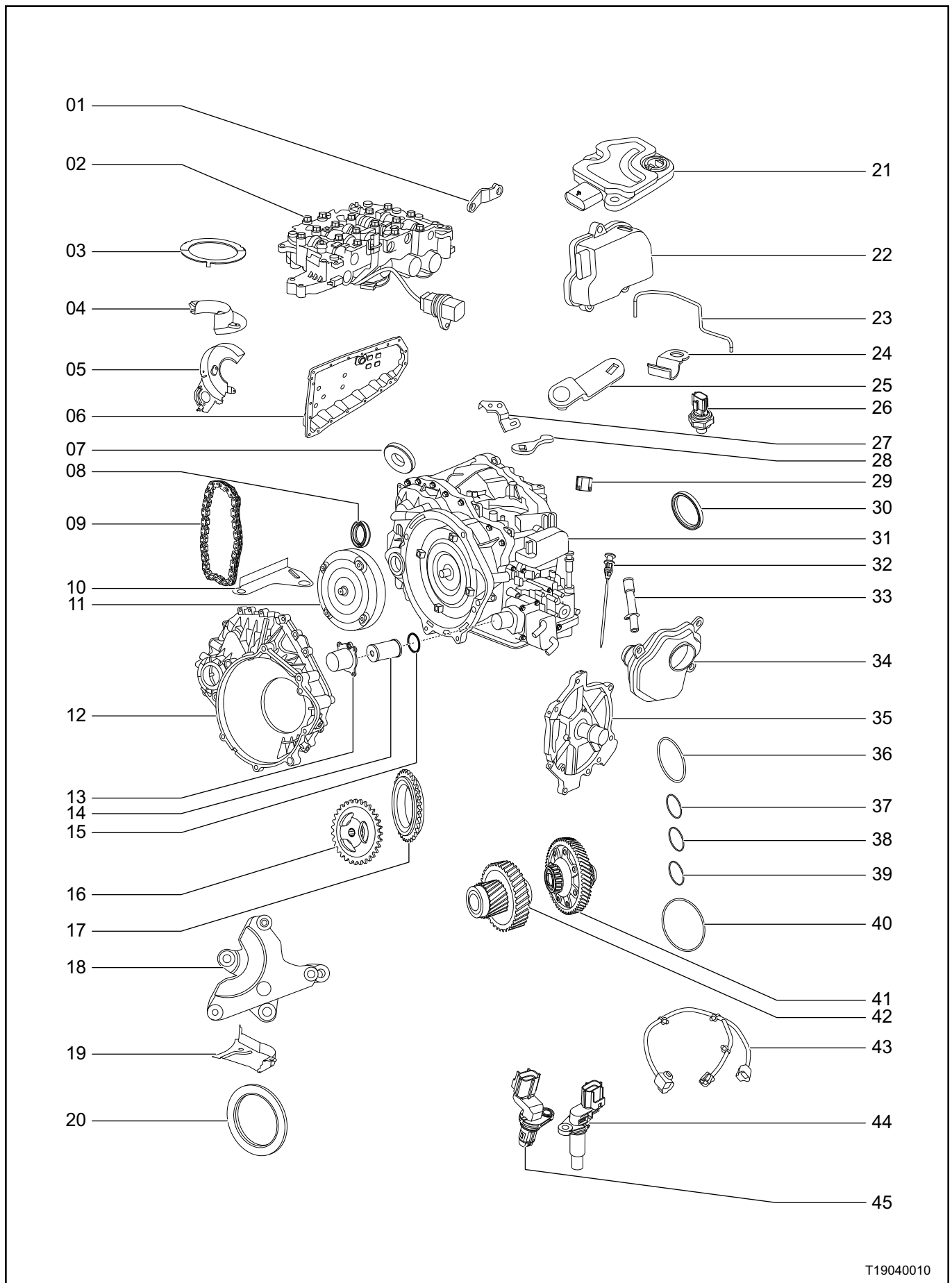


T19030140

No.	Part No.	Station No.	Station Name	Labour Time
01	302001177AA	T19CKKK20011772751	Remove and reinstall air guide panel assy RH	20
		Ex:T19CKKK20027772701	Remove and reinstall FR bumper UPR body	50
02	302000262AA	T19CKKK20002622751	Remove and reinstall Radiator sponge strip LWR	10
		Ex:T19CKKK20027772701	Remove and reinstall FR bumper UPR body	50
03	302001135AA	T19CKKK20011352751	Remove and reinstall UPR air guide panel assy	20
		Ex:T19CKKK20027772701	Remove and reinstall FR bumper UPR body	50
04	302001176AA	T19CKKK20011762751	Remove and reinstall air guide panel assy LH	20
		Ex:T19CKKK20027772701	Remove and reinstall FR bumper UPR body	50

TRANSMISSION SHIFT MECHANISM

CVT25	04 - 2
Transmission accessory	04 - 6
Transmission management system.....	04 - 8

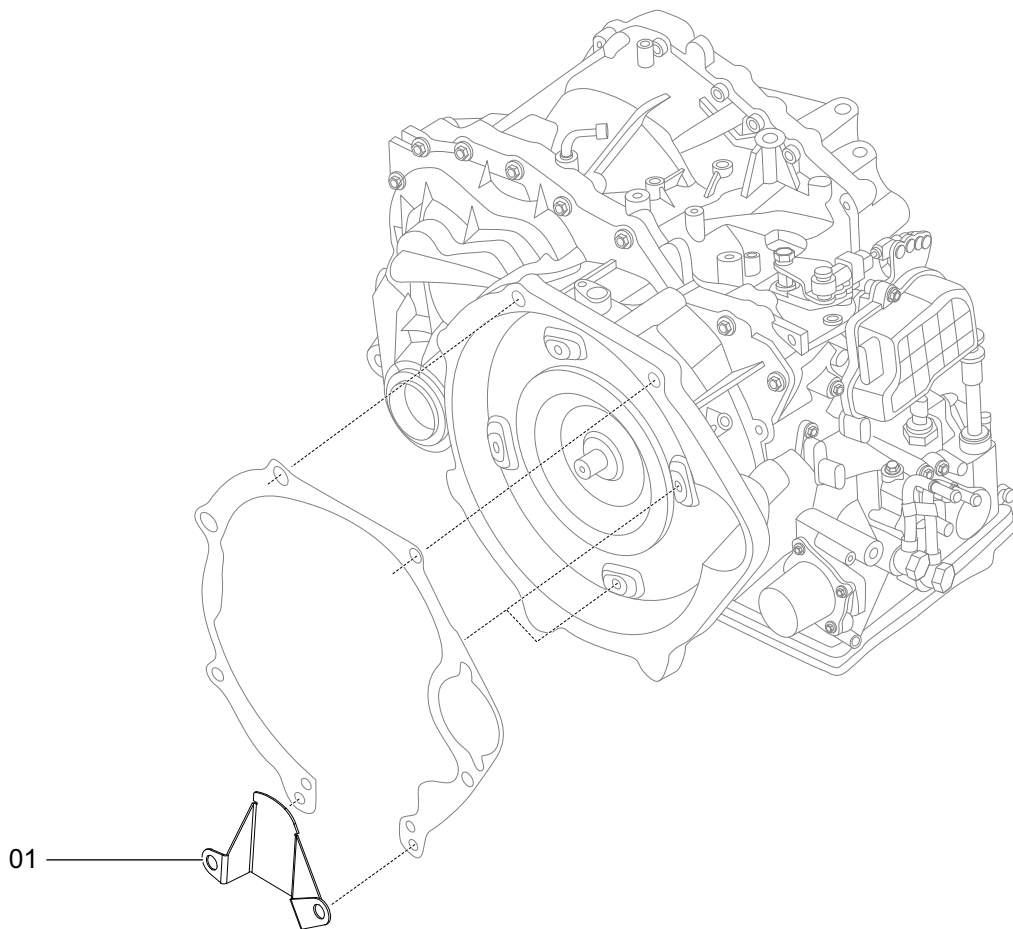


T19040010

No.	Part No.	Station No.	Station Name	Labour Time
01	025CHA-1502602	T19CC2515026022751	Remove and reinstall Pressure panel-transmission	0
		Ex:T19CC2510000393651	Disassemble and reassemble automatic transmission assy	300
		Ex:T19CC2510000392701	Remove and reinstall automatic transmission assy	400
02	025CHA-1506100	T19CC2515061002751	Remove and reinstall valve body&wiring assy	80
		Ex:T19CC2515065212701	Remove and reinstall Valve housing	70
03	025CHA-1502603	T19CC2515026032751	Remove and reinstall WASHER-DRIVING SPROCKET TO OIL DIVIDER	0
		Ex:T19CC2510000393651	Disassemble and reassemble automatic transmission assy	300
		Ex:T19CC2510000392701	Remove and reinstall automatic transmission assy	400
04	025CHA-1502205	T19CC2515022052751	Remove and reinstall Upr oil retainer-differential	90
		Ex:T19CC2510000392701	Remove and reinstall automatic transmission assy	400
05	025CHA-1502230	T19CC2515022302751	Remove and reinstall Lwr oil retainer-differential	90
		Ex:T19CC2510000392701	Remove and reinstall automatic transmission assy	400
06	025CHA-1506521	T19CC2515065212701	Remove and reinstall Valve housing	70
07	025CHA-1506522	T19CC2515065222701	Remove and reinstall magnet	40
08	019CHA-1502106	T19CC2515021062751	Remove and reinstall Differential oil seal	20
		Ex:T19CCKK40001952711	Remove and reinstall FR drive shaft assy LH	80
09	025CHA-1508500	T19CC2515085002751	Remove and reinstall Chain	0
		Ex:T19CC2510000393651	Disassemble and reassemble automatic transmission assy	300
		Ex:T19CC2510000392701	Remove and reinstall automatic transmission assy	400
10	025CHA-1502617	T19CC2515026172751	Remove and reinstall OIL RETAINER-CHAIN	0
		Ex:T19CC2510000393651	Disassemble and reassemble automatic transmission assy	300
		Ex:T19CC2510000392701	Remove and reinstall automatic transmission assy	400
11	025CHA-1501120EA	T19CC2515011202751	Remove and reinstall hydraulic torque converter assy	10
		Ex:T19CC2510000392701	Remove and reinstall automatic transmission assy	400
12	025CHA-1502201X	T19CC2515022012751	Remove and reinstall Converter housing	70
		Ex:T19CC2510000392701	Remove and reinstall automatic transmission assy	400
13	025CHA-1506501	T19CC2515065012701	Remove and reinstall OTR filter housing	60
14	025CHA-1506510	T19CC2515065102751	Remove and reinstall OTR filter assy	0
		Ex:T19CC2515065012701	Remove and reinstall OTR filter housing	60
15	025CHA-1506531	T19CC2515065312751	Remove and reinstall gasket - OTR filter and transmission housing	0
		Ex:T19CC2515065012701	Remove and reinstall OTR filter housing	60
16	025CHA-1508400	T19CC2515084002751	Remove and reinstall Driven sprocket	0
		Ex:T19CC2510000393651	Disassemble and reassemble automatic transmission assy	300

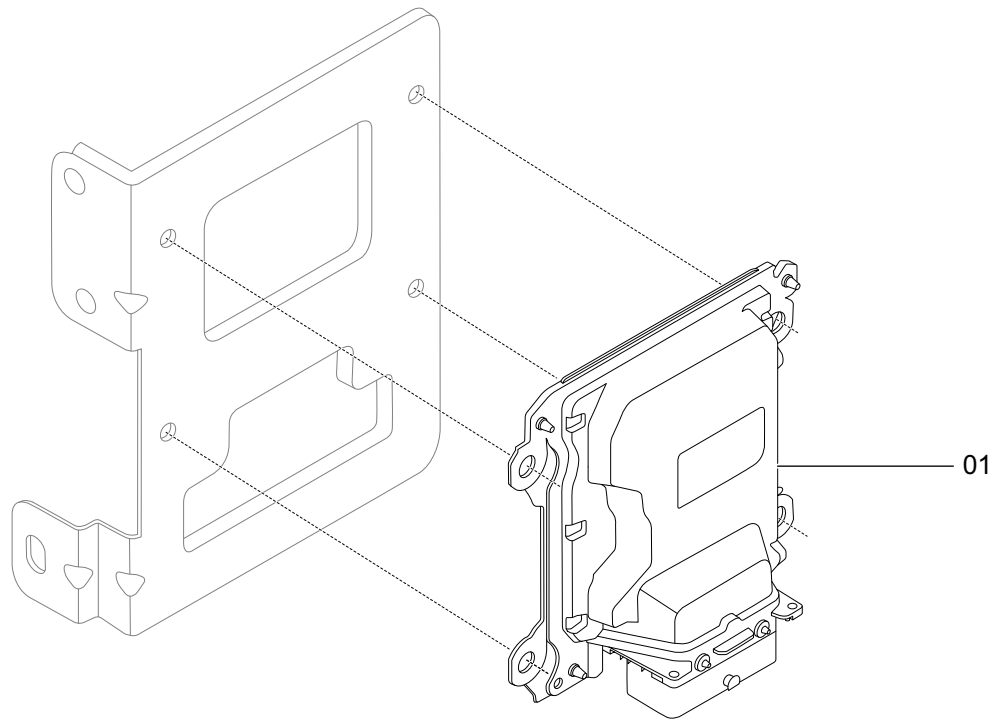
No.	Part No.	Station No.	Station Name	Labour Time
		Ex:T19CC2510000392701	Remove and reinstall automatic transmission assy	400
17	025CHA-1508301	T19CC2515083012751	Remove and reinstall Driving sprocket	0
		Ex:T19CC2510000393651	Disassemble and reassemble automatic transmission assy	300
		Ex:T19CC2510000392701	Remove and reinstall automatic transmission assy	400
18	025CHA-1506604	T19CC2515066042701	Remove and reinstall Electronic shift actuator bracket	50
19	025CHA-1502616	T19CC2515026162751	Remove and reinstall Oil retainer-sprocket	0
		Ex:T19CC2510000393651	Disassemble and reassemble automatic transmission assy	300
		Ex:T19CC2510000392701	Remove and reinstall automatic transmission assy	400
20	025CHA-1502604	T19CC2515026042751	Remove and reinstall Track bearing-forward clutch	0
		Ex:T19CC2510000392701	Remove and reinstall automatic transmission assy	400
21	025CHA-1504220	T19CC2515042202751	Remove and reinstall gear position sensor	20
		Ex:T19CKKK11091102701	Remove and reinstall air filter assy	30
22	025CHA-1506600	T19CC2515066002751	Remove and reinstall electronic shift module assembly	20
		Ex:T19CKKK11091102701	Remove and reinstall air filter assy	30
23	025CHA-1502202	T19CC2515022022751	Remove and reinstall Oil pipe	0
		Ex:T19CC2510000393651	Disassemble and reassemble automatic transmission assy	300
		Ex:T19CC2510000392701	Remove and reinstall automatic transmission assy	400
24	025CHA-1502203	T19CC2515022032751	Remove and reinstall Bracket-oil pipe	0
		Ex:T19CC2510000393651	Disassemble and reassemble automatic transmission assy	300
		Ex:T19CC2510000392701	Remove and reinstall automatic transmission assy	400
25	025CHA-1506606	T19CC2515066062751	Remove and reinstall Rocker arm - gearbox	10
		Ex:T19CKKK11091102701	Remove and reinstall air filter assy	30
26	025CHA-1504210	T19CC2515042102751	Remove and reinstall oil pressure sensor assy	10
		Ex:T19CKKK11091102701	Remove and reinstall air filter assy	30
27	025CHA-1504118	T19CC2515041182701	Remove and reinstall Bracket	30
28	025CHA-1506532	T19CC2515065322701	Remove and reinstall Driving sprocket-manual shift	50
29	025CHA-1502126	T19CC2515021262701	Remove and reinstall breather cap	10
30	025CHA-1502204	T19CC2515022042751	Remove and reinstall oil seal - hydraulic torque converter	30
		Ex:T19CC2515011202751	Remove and reinstall hydraulic torque converter assy	10
		Ex:T19CC2510000392701	Remove and reinstall automatic transmission assy	400
31	121000039AA	T19CC2510000392701	Remove and reinstall automatic transmission assy	400

No.	Part No.	Station No.	Station Name	Labour Time
		T19CC2510000393651	Disassemble and reassemble automatic transmission assy	300
		Ex:T19CC2510000392701	Remove and reinstall automatic transmission assy	400
32	025CHA-1503210	T19CC2515032102701	Remove and reinstall Rod-oil level gauge	10
33	025CHA-1503220	T19CC2515032202751	Remove and reinstall Oil dipstick sleeve set	40
		Ex:T19CCKK11091102701	Remove and reinstall air filter assy	30
34	025CHA-1506400	T19CC2515064002701	Remove and reinstall filter assy - oil pump	60
35	025CHA-1508210	T19CC2515082102751	Remove and reinstall Oil divider	0
		Ex:T19CC2510000393651	Disassemble and reassemble automatic transmission assy	300
		Ex:T19CC2510000392701	Remove and reinstall automatic transmission assy	400
36	025CHA-1509103	T19CC2515091032751	Remove and reinstall O-ring - input shaft to hydraulic torque converter	30
		Ex:T19CC2515011202751	Remove and reinstall hydraulic torque converter assy	10
		Ex:T19CC2510000392701	Remove and reinstall automatic transmission assy	400
37	019CHA-1502117	T19CC2515021172701	Remove and reinstall O RING	10
38	025CHA-1502606	T19CC2515026062751	Remove and reinstall O RING-VALVE BODY&HOUSING	0
		Ex:T19CC2515061002751	Remove and reinstall valve body&wiring assy	80
		Ex:T19CC2515065212701	Remove and reinstall Valve housing	70
39	019CHA-1502171	T19CC2515021712701	Remove and reinstall O RING	10
40	025CHA-1508206	T19CC2515082062751	Remove and reinstall Seal ring-forward clutch	0
		Ex:T19CC2510000393651	Disassemble and reassemble automatic transmission assy	300
		Ex:T19CC2510000392701	Remove and reinstall automatic transmission assy	400
41	025CHD-1502400	T19CC2515024002751	Remove and reinstall Differential	200
		Ex:T19CC2510000392701	Remove and reinstall automatic transmission assy	400
42	025CHD-1502500	T19CC2515025002751	Remove and reinstall Output shaft-transmission	100
		Ex:T19CC2510000392701	Remove and reinstall automatic transmission assy	400
43	025CHA-1506500BA	T19CC2515065002751	Remove and reinstall Transmission peripheral wire harness assy	50
		Ex:T19CCKK11091102701	Remove and reinstall air filter assy	30
44	025CHA-1504230BA	T19CC2515042302751	Remove and reinstall speed sensor (long)	30
		Ex:T19CCKK11091102701	Remove and reinstall air filter assy	30
45	025CHA-1504240BA	T19CC2515042402751	Remove and reinstall speed sensor(short)	30
		Ex:T19CCKK11091102701	Remove and reinstall air filter assy	30



T19040020

No.	Part No.	Station No.	Station Name	Labour Time
01	M11-1501301	T19CC2515013012701	Remove and reinstall Dustproof plate	20

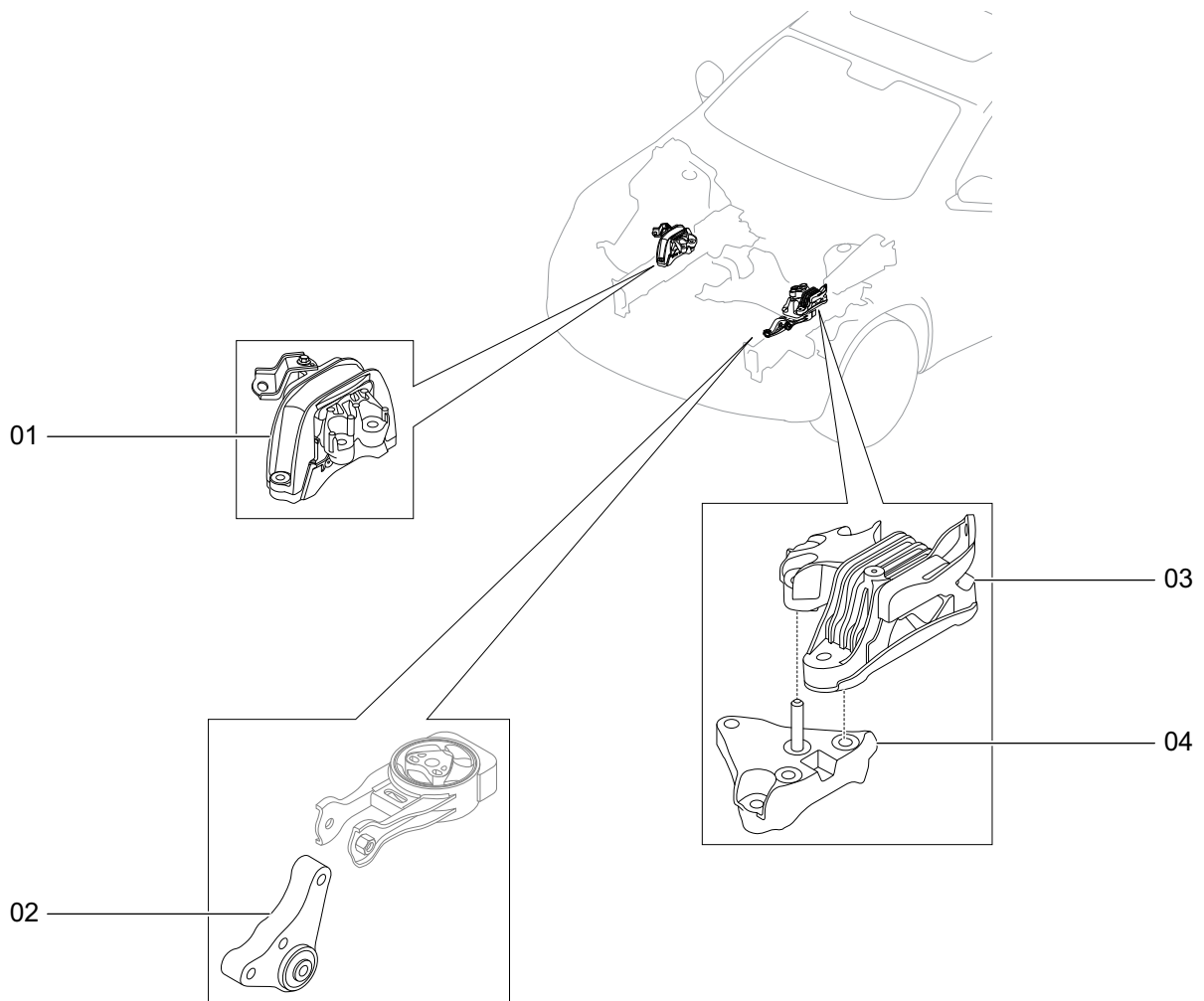


T19040030

No.	Part No.	Station No.	Station Name	Labour Time
01	132000058AA	T19CKKK20000582701	Remove and reinstall automatic transmission control unit	50

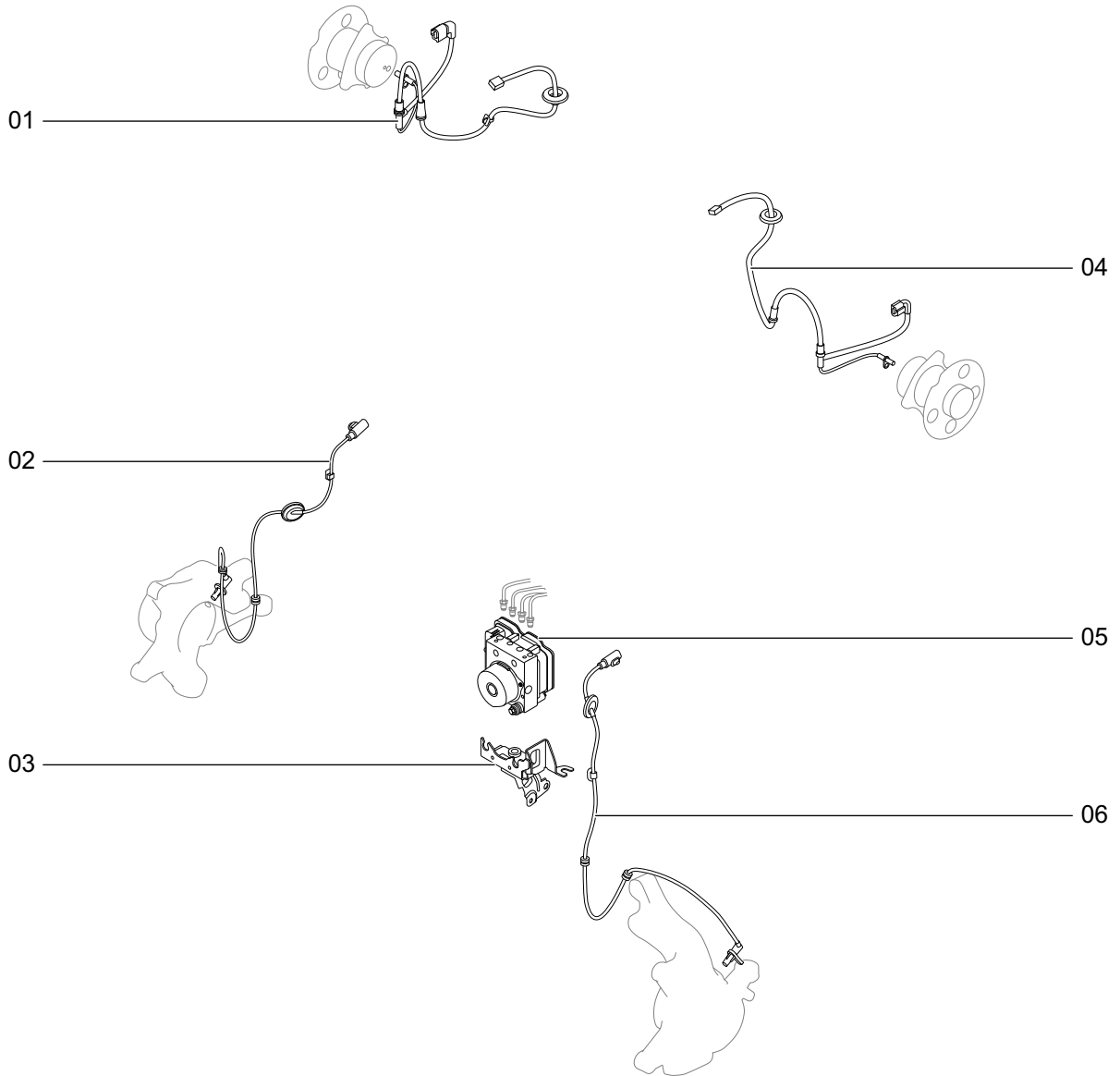
CHASSIS

Mounting system.....	05 - 2
Vehicle dynamic control system	05 - 4
Drive shaft	05 - 6
Electronic shift mechanism system	05 - 8
Vacuum system diagram	05 - 10
Steering column system	05 - 12
Pedal mechanism.....	05 - 14
FR suspension.....	05 - 16
RR suspension	05 - 18
FR shock absorber	05 - 21
Steering gear	05 - 24
Tire and wheel.....	05 - 26
Brake operation control unit.....	05 - 28
FR brake system LH	05 - 30
FR brake system RH.....	05 - 32
RR brake system LH	05 - 34
RR brake system RH	05 - 36
Wheel brake pipe	05 - 38
Sub frame	05 - 40



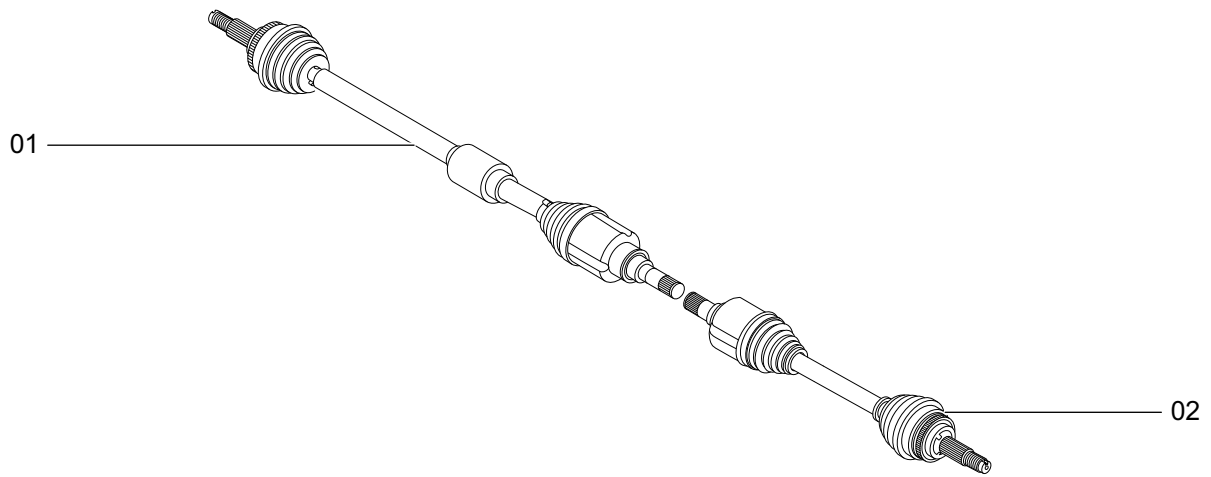
T19050010

No.	Part No.	Station No.	Station Name	Labour Time
01	206000229AA	T19CKKK60002292701	Remove and reinstall mounting cushion assy RH	50
02	206000230AA	T19CKKK60002302701	Remove and reinstall RR mounting UPR body	40
03	206000228AA	T19CKKK60002282751	Remove and reinstall mounting cushion assy LH	40
		Ex:T19CKKK70004082751	Remove and reinstall Battery tray	30
		Ex:T19CKKK70001972701	Remove and reinstall battery	20
04	206000232AA	T19CKKK60002322751	Remove and reinstall mounting bracket LH	20
		Ex:T19CKKK60002282751	Remove and reinstall mounting cushion assy LH	40
		Ex:T19CKKK70004082751	Remove and reinstall Battery tray	30
		Ex:T19CKKK70001972701	Remove and reinstall battery	20



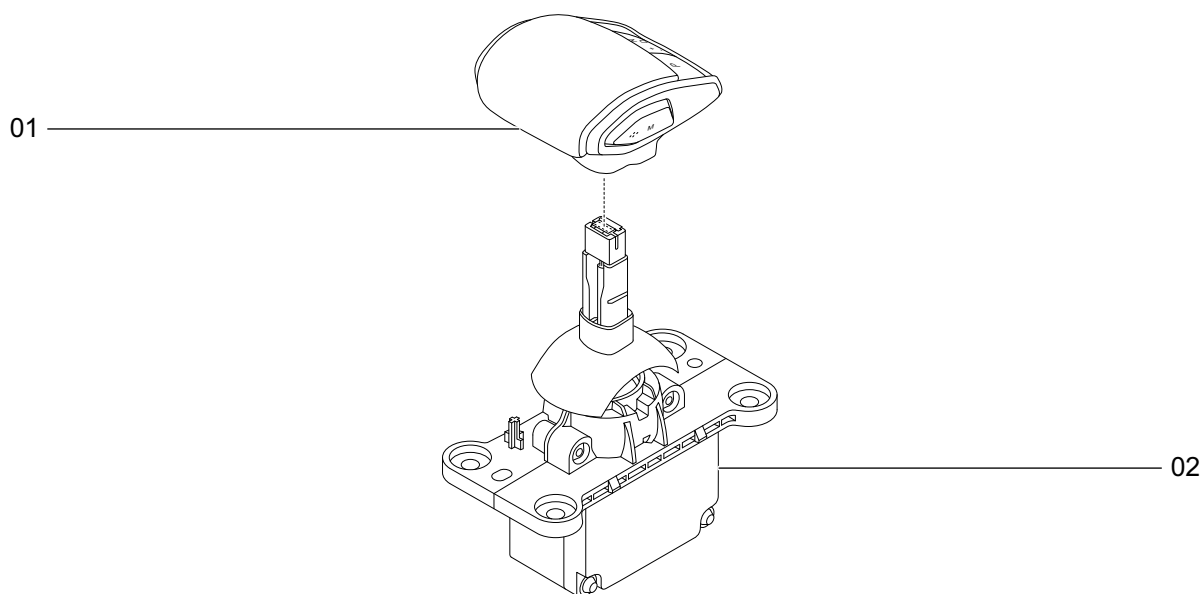
T19050020

No.	Part No.	Station No.	Station Name	Labour Time
01	207000173AA	T19CKKK70001732701	Remove and reinstall RR wheel speed sensor with caliper wire harness assy RH	30
02	T15-3630040AE	T19CKKK36300402701	Remove and reinstall FR wheel speed assy RH	30
03	207000200AA	T19CKKK70002002751	Remove and reinstall ESP bracket assy	10
		Ex:T19CKKK70001982751	Remove and reinstall ESP controller assy	60
		Ex:T19CKKK47031112021	Drain and fill brake fluid	50
04	207000172AA	T19CKKK70001722701	Remove and reinstall RR wheel speed sensor with caliper wire harness assy LH	30
05	207000198AA	T19CKKK70001982751	Remove and reinstall ESP controller assy	60
		Ex:T19CKKK47031112021	Drain and fill brake fluid	50
	207000199AA	T19CKKK70001992751	Remove and reinstall ESP controller assy	60
		Ex:T19CKKK47031112021	Drain and fill brake fluid	50
06	T15-3630030AE	T19CKKK36300302701	Remove and reinstall FR wheel speed sensor assy LH	30



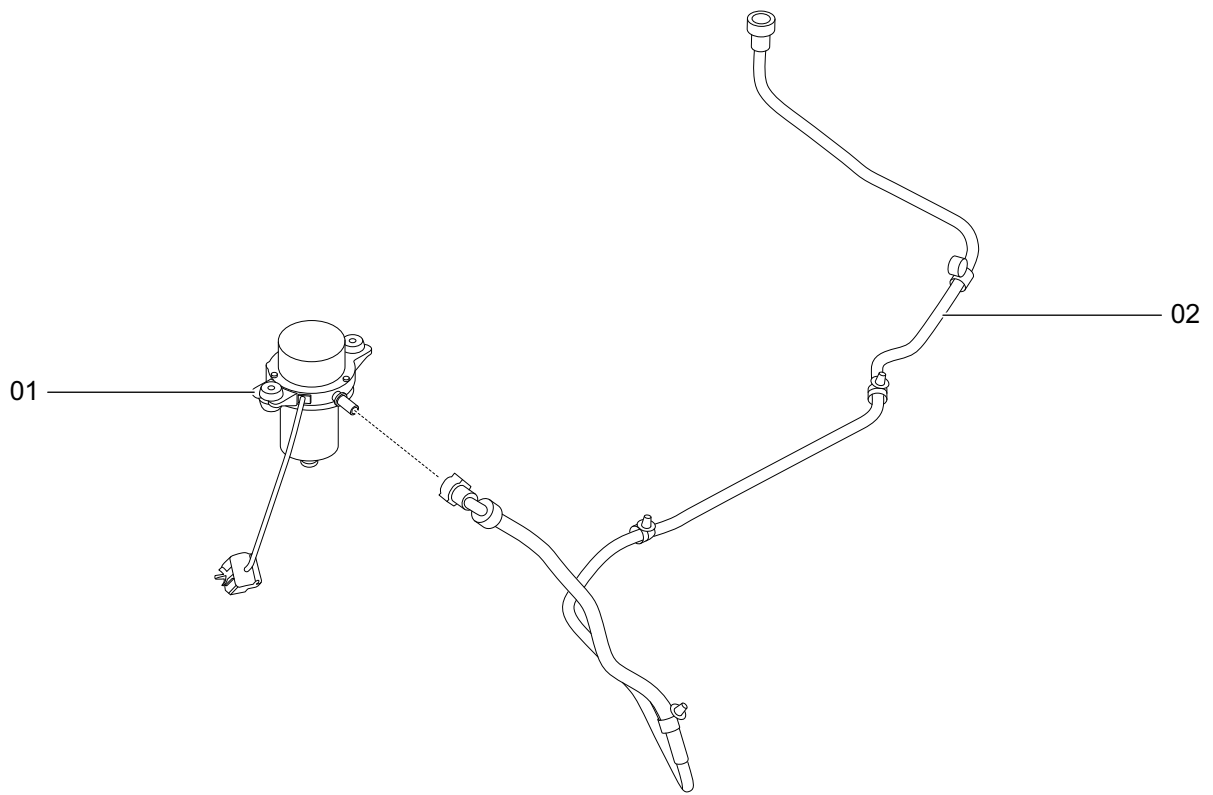
T19050030

No.	Part No.	Station No.	Station Name	Labour Time
01	154000196AA	T19CKKK40001962711	Remove and reinstall FR drive shaft assy RH	80
02	154000195AA	T19CKKK40001952711	Remove and reinstall FR drive shaft assy LH	80



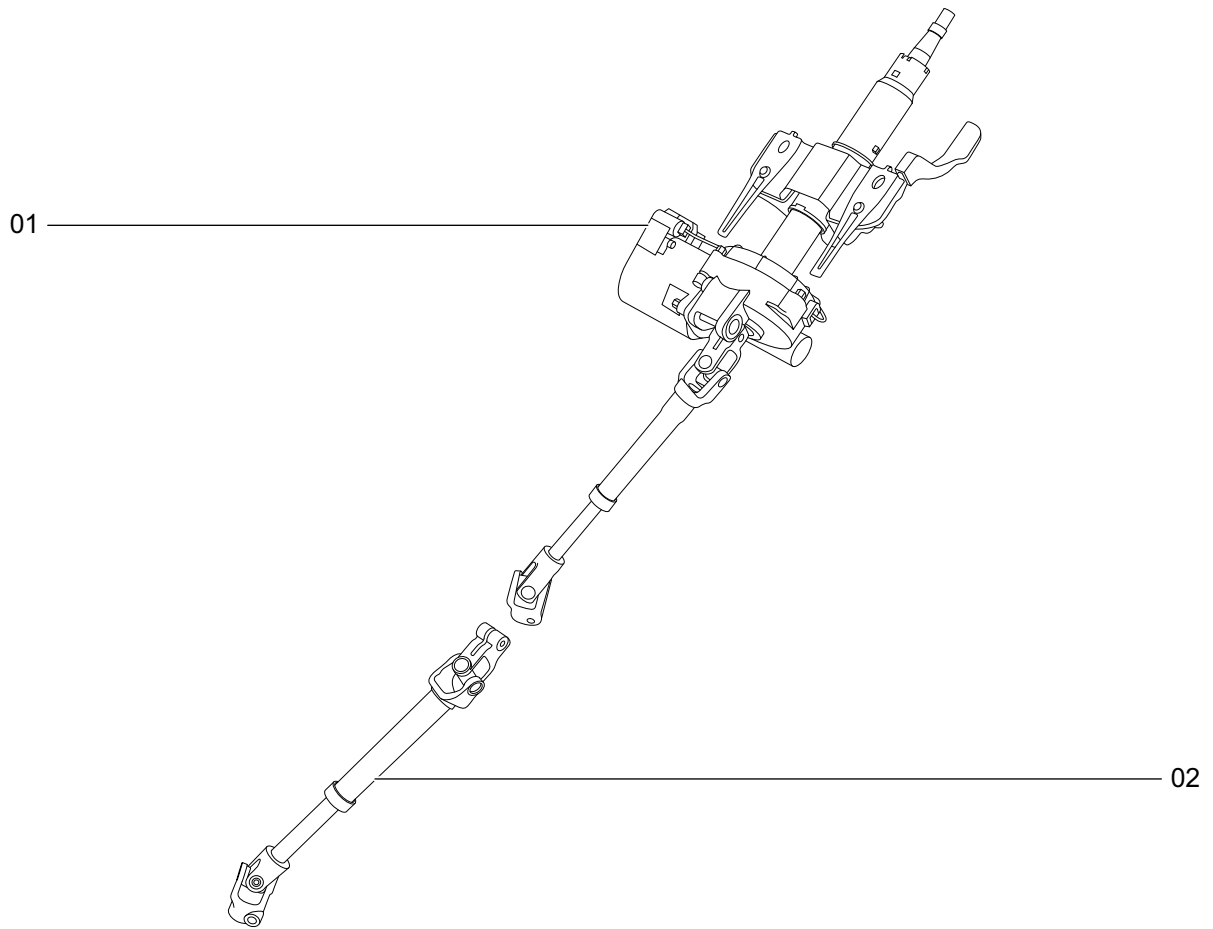
T19050040

No.	Part No.	Station No.	Station Name	Labour Time
01	156000352AA	T19CKKK60003522701	Remove and reinstall Shift handle assy	20
02	156000353AA	T19CKKK60003532701	Remove and reinstall Electronic shift control mechanism assy	50



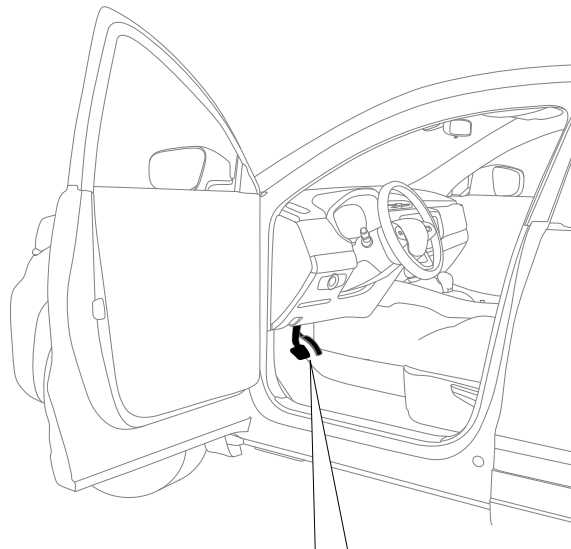
T19050050

No.	Part No.	Station No.	Station Name	Labour Time
01	B21-3541110	T19CKKK35411102751	Remove and reinstall vacuum pump assy	30
		Ex:T19CKKK20016902751	Remove and reinstall FR wheel house protector assy LH	30
		Ex:T19CKKK90011762701	Remove and reinstall FR wheel arch trim assy LH	10
02	159000096AA	T19CKKK90000962751	Remove and reinstall Vacuum connection pipe assembly	40
		Ex:T19CKKK20016902751	Remove and reinstall FR wheel house protector assy LH	30
		Ex:T19CKKK90011762701	Remove and reinstall FR wheel arch trim assy LH	10

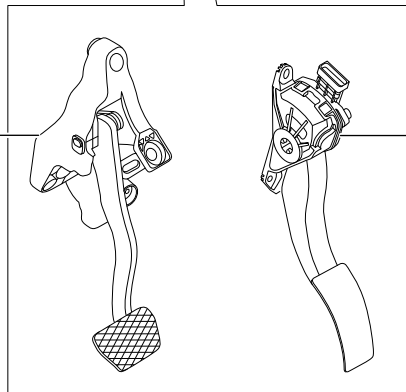


T19050060

No.	Part No.	Station No.	Station Name	Labour Time
01	201000306AA	T19CKKK10003062761	Remove and reinstall electronic power steering column with intermediate shaft assy	80
		Ex:T19CKKK40005262751	Remove and reinstall steering wheel assy	20
		Ex:T19CKKK70002952701	Remove and reinstall driver airbag assy	20
02	201000214AA	T19CKKK10002142701	Remove and reinstall intermediate shaft assy	80



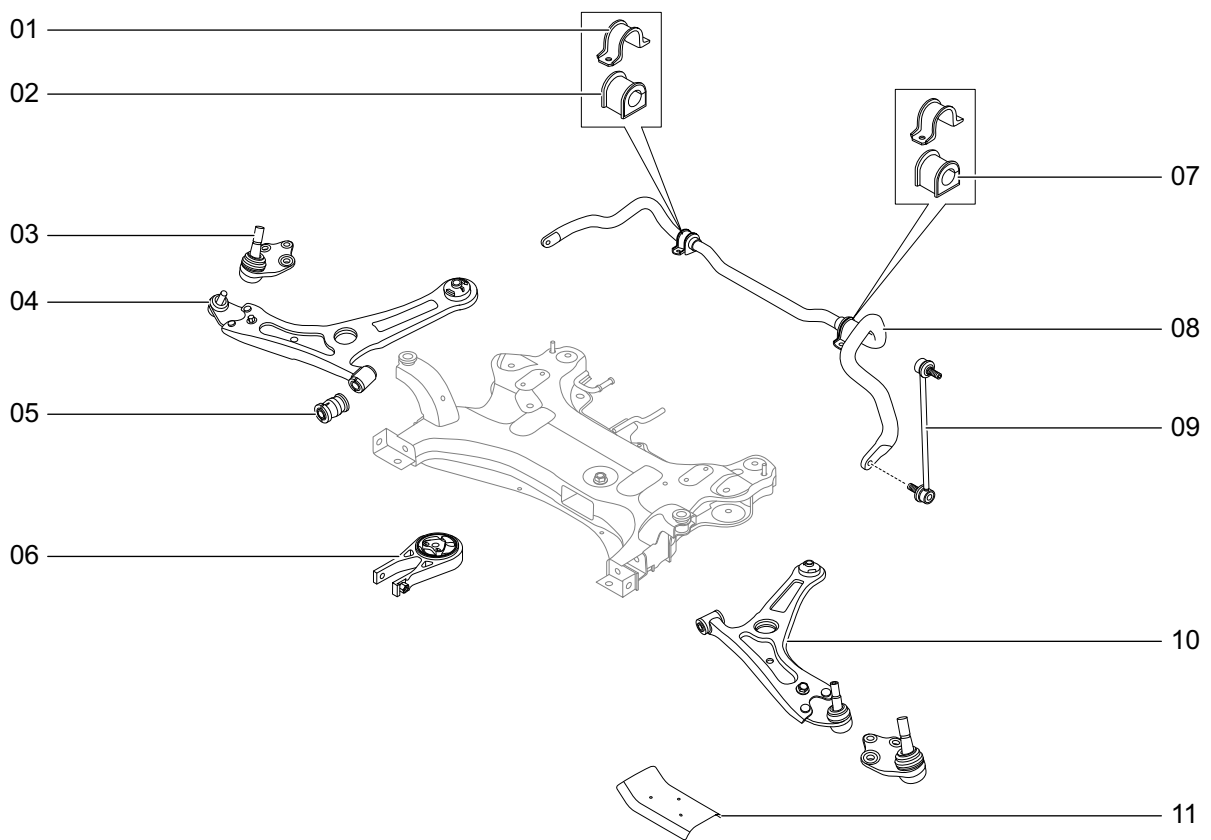
01



02

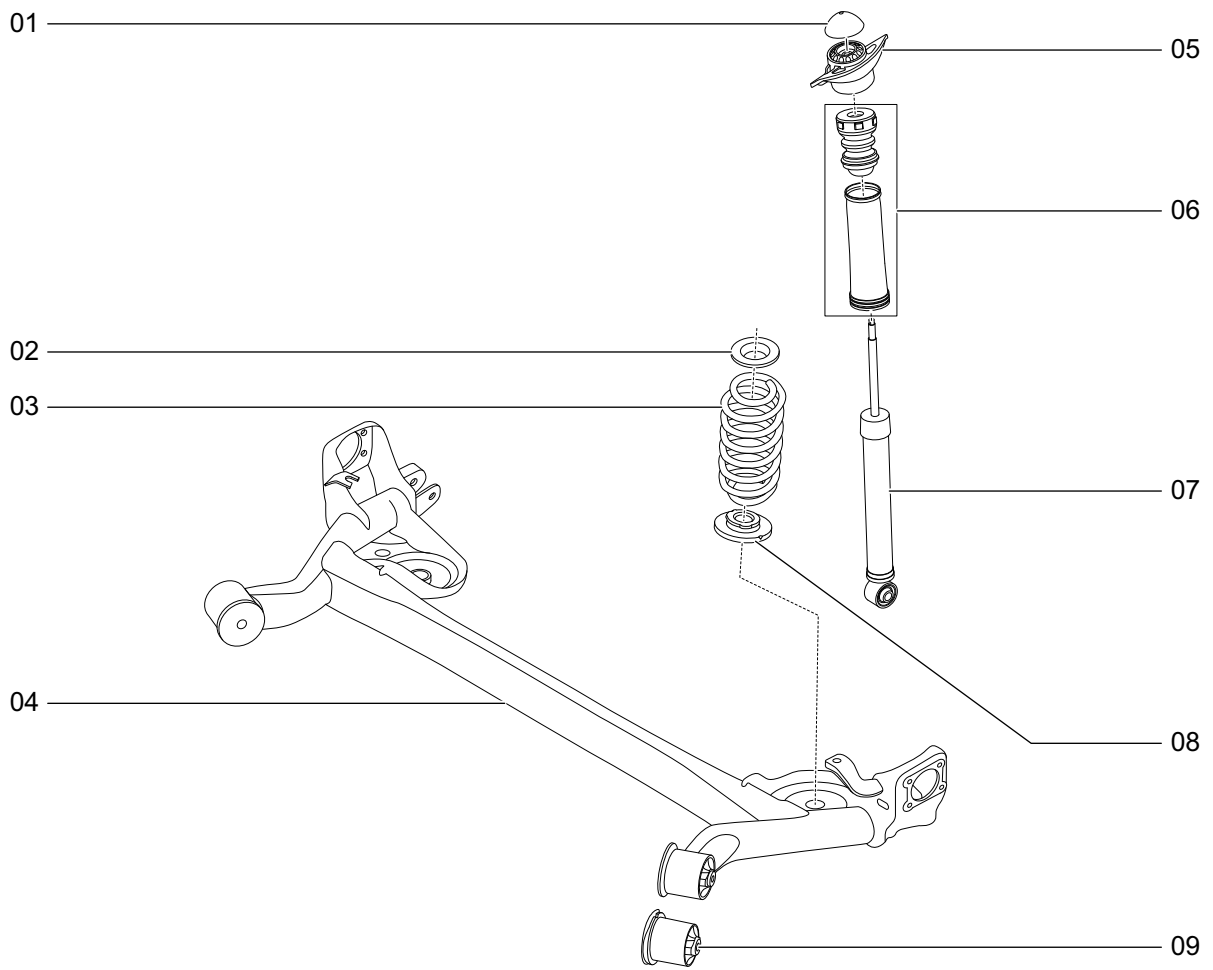
T19050070

No.	Part No.	Station No.	Station Name	Labour Time
01	204000920AA	T19CKKK40009202711	Remove and reinstall auto brake pedal assy	60
02	J52-1108010	T19CKKK11080102701	Remove and reinstall electronic accelerator pedal assy	30



T19050080

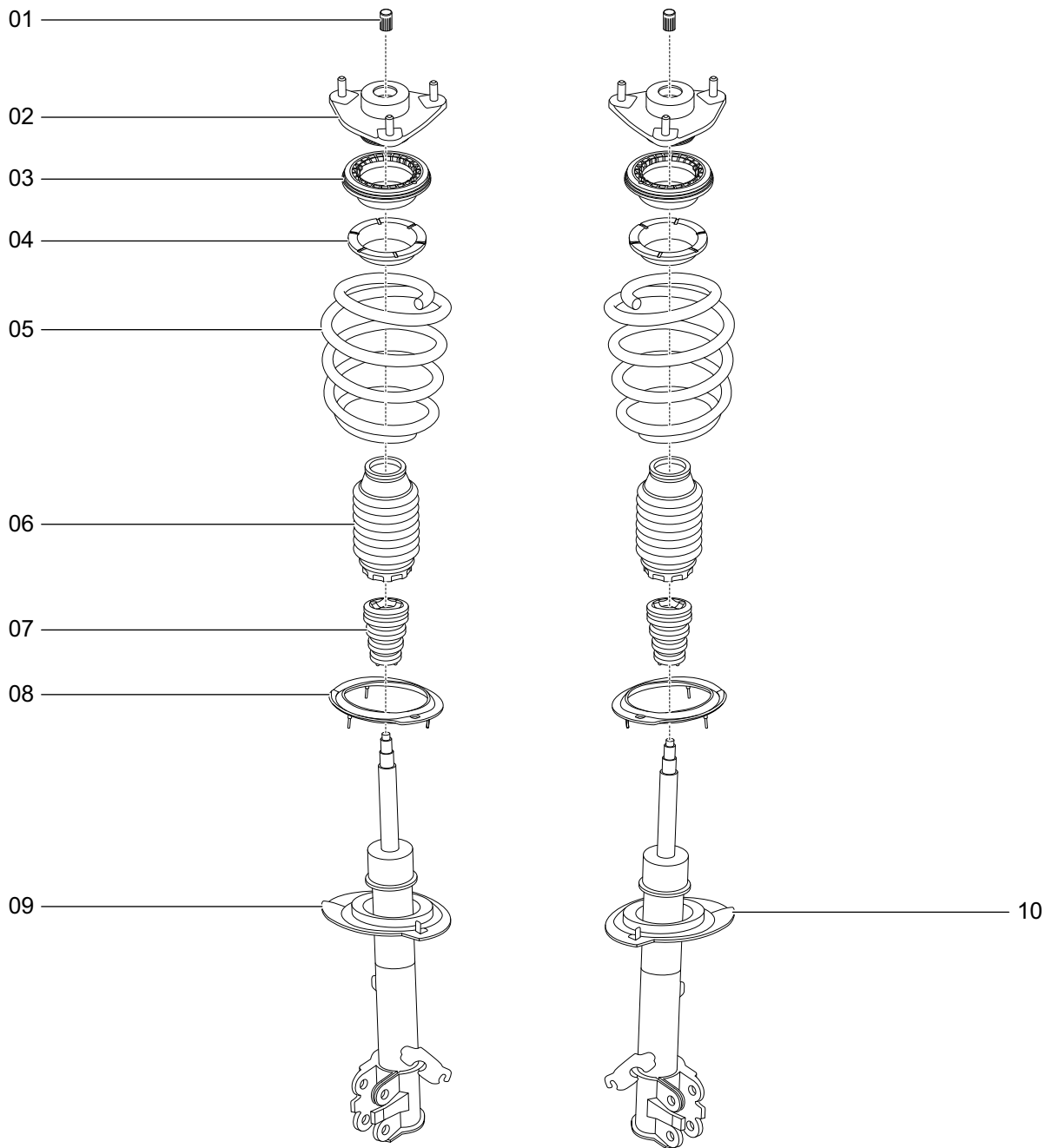
No.	Part No.	Station No.	Station Name	Labour Time
01	T15-2906017	T19CKKK29060172701	Remove and reinstall FR connecting rod clip	20
		T19CKKK29060172711	Remove and reinstall FR connecting rod clip	20
02	202000410AA	T19CKKK20004102701	Remove and reinstall FR stabilizer rod sleeve RH	30
03	202000469AA	T19CKKK20004692751	Remove and reinstall control arm ball pin assy LH	40
		Ex:T19CKKK10000001200	Four-wheel alignment	180
		T19CKKK20004692761	Remove and reinstall control arm ball pin assy RH	40
		Ex:T19CKKK10000001200	Four-wheel alignment	180
04	202000471AA	T19CKKK20004712761	Remove and reinstall FR control arm assy RH	90
		Ex:T19CKKK10000001200	Four-wheel alignment	180
05	T21-2909070	T19CKKK29090702751	Remove and reinstall FR rubber sleeve assy LH	30
		Ex:T19CKKK20004702751	Remove and reinstall FR control arm assy LH	90
		Ex:T19CKKK10000001200	Four-wheel alignment	180
		T19CKKK29090702761	Remove and reinstall FR rubber sleeve assy RH	30
		Ex:T19CKKK20004712761	Remove and reinstall FR control arm assy RH	90
		Ex:T19CKKK10000001200	Four-wheel alignment	180
06	206000231AA	T19CKKK60002312701	Remove and reinstall RR mounting LWR body	30
07	202000409AA	T19CKKK20004092701	Remove and reinstall FR stabilizer rod sleeve LH	30
08	202000273AA	T19CKKK20002732701	Remove and reinstall FR stabilizer rod assy	70
09	T11-2906030BU	T19CKKK29060302701	Remove and reinstall FR connecting rod assy	30
		T19CKKK29060302711	Remove and reinstall FR connecting rod assy	30
10	202000470AA	T19CKKK20004702751	Remove and reinstall FR control arm assy LH	90
		Ex:T19CKKK10000001200	Four-wheel alignment	180
11	T15-3412010	T19CKKK34120102701	Remove and reinstall Steering mechanism heat insulation	50



T19050090

No.	Part No.	Station No.	Station Name	Labour Time
01	J42-2911013	T19CKKK29110132751	Remove and reinstall Shock absorber cap	20
		Ex:T19CKKK20009622751	Remove and reinstall RR shock absorber assy LH	30
		Ex:T19CKKK20016922751	Remove and reinstall RR wheel house protector assy LH	30
		Ex:T19CKKK90011782701	Remove and reinstall RR wheel arch trim assy LH	10
		T19CKKK29110132761	Remove and reinstall Shock absorber cap	20
		Ex:T19CKKK20009622761	Remove and reinstall RR shock absorber assy RH	30
		Ex:T19CKKK20016932751	Remove and reinstall RR wheel house protector assy RH	30
		Ex:T19CKKK90011792701	Remove and reinstall RR wheel arch trim assy RH	10
02	J60-2911031	T19CKKK29110312751	Remove and reinstall RR coil spring UPR pad	0
		Ex:T19CKKK20010202701	Remove and reinstall RR coil spring assy LH	50
		T19CKKK29110312761	Remove and reinstall RR coil spring UPR pad RH	0
		Ex:T19CKKK20010202711	Remove and reinstall RR coil spring assy RH	50
03	202001020AA	T19CKKK20010202701	Remove and reinstall RR coil spring assy LH	50
		T19CKKK20010202711	Remove and reinstall RR coil spring assy RH	50
04	202000243AA	T19CKKK20002432701	Remove and reinstall RR shaft assy	130
05	J42-2915023	T19CKKK29150232751	Remove and reinstall RR shock absorber UPR connecting panel with vibration isolating block assy LH	20
		Ex:T19CKKK20009622751	Remove and reinstall RR shock absorber assy LH	30
		Ex:T19CKKK20016922751	Remove and reinstall RR wheel house protector assy LH	30
		Ex:T19CKKK90011782701	Remove and reinstall RR wheel arch trim assy LH	10
		T19CKKK29150232761	Remove and reinstall RR shock absorber UPR connecting panel with vibration isolating block assy RH	20
		Ex:T19CKKK20009622761	Remove and reinstall RR shock absorber assy RH	30
		Ex:T19CKKK20016932751	Remove and reinstall RR wheel house protector assy RH	30
		Ex:T19CKKK90011792701	Remove and reinstall RR wheel arch trim assy RH	10
06	J60-2911030	T19CKKK29110302751	Remove and reinstall RR bumper block LH with dust boot	20
		Ex:T19CKKK20009622751	Remove and reinstall RR shock absorber assy LH	30
		Ex:T19CKKK20016922751	Remove and reinstall RR wheel house protector assy LH	30
		Ex:T19CKKK90011782701	Remove and reinstall RR wheel arch trim assy LH	10
		T19CKKK29110302761	Remove and reinstall RR bumper block with dust cover assy RH	20
		Ex:T19CKKK20009622761	Remove and reinstall RR shock absorber assy RH	30
		Ex:T19CKKK20016932751	Remove and reinstall RR wheel house protector assy RH	30
		Ex:T19CKKK90011792701	Remove and reinstall RR wheel arch trim assy RH	10

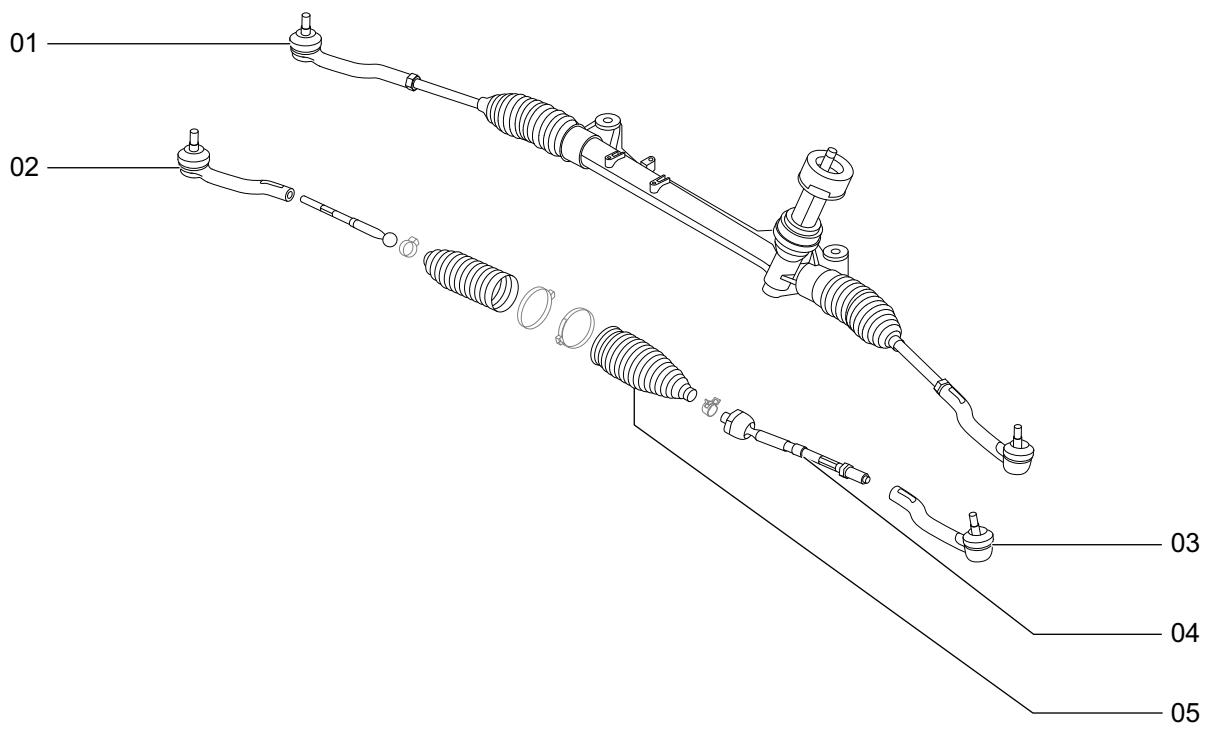
No.	Part No.	Station No.	Station Name	Labour Time
	T19-2911030	T19CKKK29110302752	Remove and reinstall RR bumper block LH with dust boot	20
		Ex:T19CKKK20009622751	Remove and reinstall RR shock absorber assy LH	30
		Ex:T19CKKK20016922751	Remove and reinstall RR wheel house protector assy LH	30
		Ex:T19CKKK90011782701	Remove and reinstall RR wheel arch trim assy LH	10
		T19CKKK29110302762	Remove and reinstall RR bumper block with dust cover assy RH	20
		Ex:T19CKKK20009622761	Remove and reinstall RR shock absorber assy RH	30
		Ex:T19CKKK20016932751	Remove and reinstall RR wheel house protector assy RH	30
		Ex:T19CKKK90011792701	Remove and reinstall RR wheel arch trim assy RH	10
07	202000962AA	T19CKKK20009622751	Remove and reinstall RR shock absorber assy LH	30
		Ex:T19CKKK20016922751	Remove and reinstall RR wheel house protector assy LH	30
		Ex:T19CKKK90011782701	Remove and reinstall RR wheel arch trim assy LH	10
		T19CKKK20009622761	Remove and reinstall RR shock absorber assy RH	30
		Ex:T19CKKK20016932751	Remove and reinstall RR wheel house protector assy RH	30
		Ex:T19CKKK90011792701	Remove and reinstall RR wheel arch trim assy RH	10
08	J11-2911045	T19CKKK29110452751	Remove and reinstall RR coil spring LWR pad	0
		Ex:T19CKKK20010202701	Remove and reinstall RR coil spring assy LH	50
		T19CKKK29110452761	Remove and reinstall RR coil spring LWR pad RH	0
		Ex:T19CKKK20010202711	Remove and reinstall RR coil spring assy RH	50
09	202000245AA	T19CKKK20002452751	Remove and reinstall shaft sleeve RR	60
		Ex:T19CKKK20002432701	Remove and reinstall RR shaft assy	130



T19050100

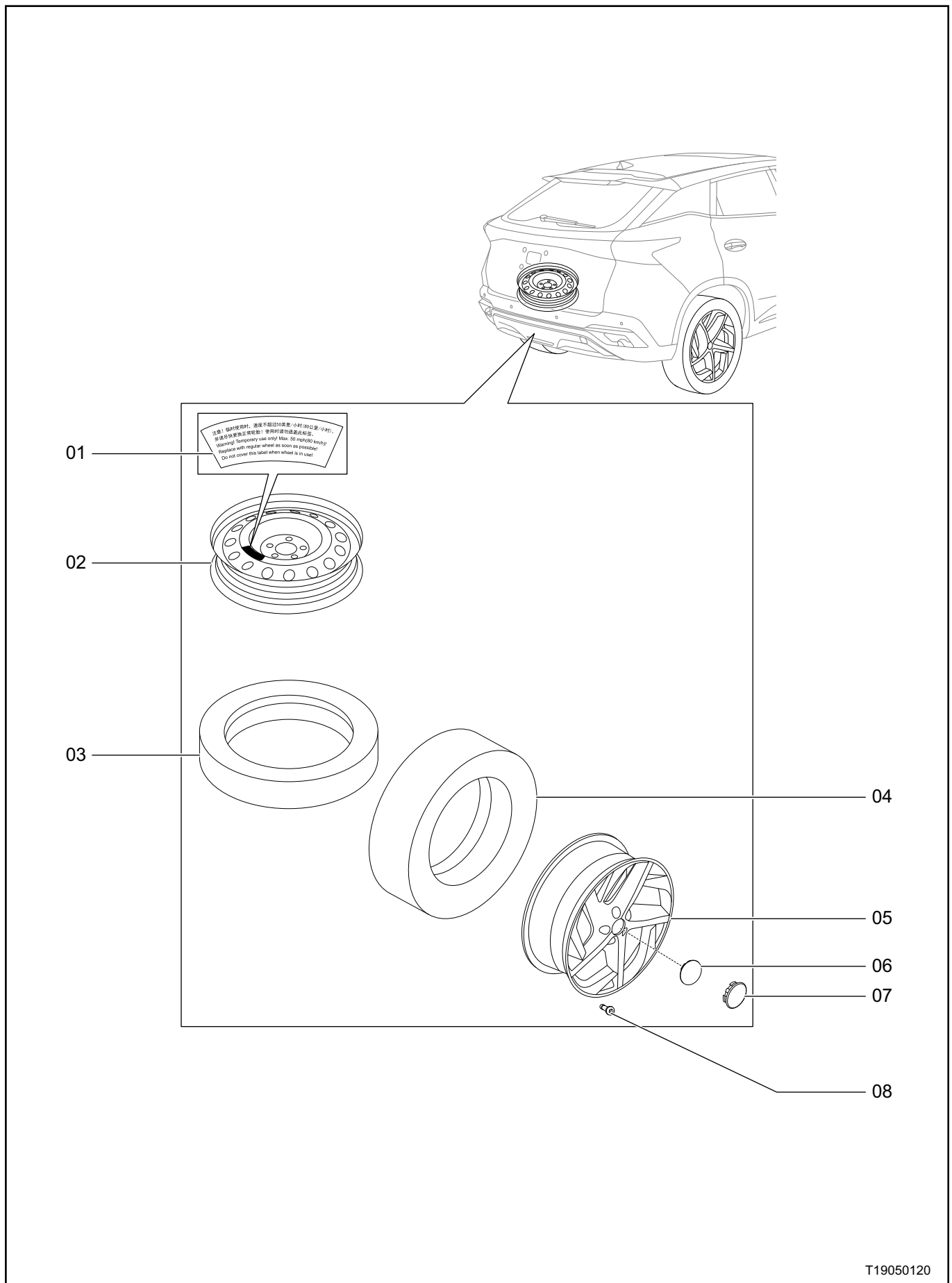
No.	Part No.	Station No.	Station Name	Labour Time
01	M11-2901013	T19CKKK29010132701	Remove and reinstall FR shock absorber cap LH	30
		T19CKKK29010132711	Remove and reinstall FR shock absorber cap RH	30
02	202000637AA	T19CKKK20006372751	Remove and reinstall UPR connecting panel assy LH	30
		Ex:T19CKKK20009572751	Remove and reinstall FR shock absorber assy LH	50
		Ex:T19CKKK10000001200	Four-wheel alignment	180
03	T15-2901040	T19CKKK29010402751	Remove and reinstall bearing assy LH	30
		Ex:T19CKKK20009572751	Remove and reinstall FR shock absorber assy LH	50
		Ex:T19CKKK10000001200	Four-wheel alignment	180
		T19CKKK29010402761	Remove and reinstall bearing assy RH	30
		Ex:T19CKKK20009582751	Remove and reinstall FR shock absorber assy RH	50
		Ex:T19CKKK10000001200	Four-wheel alignment	180
04	T15-2901023	T19CKKK29010232751	Remove and reinstall FR spring UPR cushion LH	30
		Ex:T19CKKK20009572751	Remove and reinstall FR shock absorber assy LH	50
		Ex:T19CKKK10000001200	Four-wheel alignment	180
		T19CKKK29010232761	Remove and reinstall FR spring UPR cushion RH	30
		Ex:T19CKKK20009582751	Remove and reinstall FR shock absorber assy RH	50
		Ex:T19CKKK10000001200	Four-wheel alignment	180
05	202000364AA	T19CKKK20003642751	Remove and reinstall FR coil spring	10
		Ex:T19CKKK20009572751	Remove and reinstall FR shock absorber assy LH	50
		Ex:T19CKKK10000001200	Four-wheel alignment	180
		T19CKKK20003642761	Remove and reinstall FR coil spring	10
		Ex:T19CKKK20009582751	Remove and reinstall FR shock absorber assy RH	50
		Ex:T19CKKK10000001200	Four-wheel alignment	180
06	202000777AA	T19CKKK20007772751	Remove and reinstall FR dust boot LH	30
		Ex:T19CKKK20009572751	Remove and reinstall FR shock absorber assy LH	50
		Ex:T19CKKK10000001200	Four-wheel alignment	180
		T19CKKK20007772761	Remove and reinstall FR dust boot RH	30
		Ex:T19CKKK20009582751	Remove and reinstall FR shock absorber assy RH	50
		Ex:T19CKKK10000001200	Four-wheel alignment	180
07	202000775AA	T19CKKK20007752751	Remove and reinstall FR bumper block LH	30
		Ex:T19CKKK20009572751	Remove and reinstall FR shock absorber assy LH	50
		Ex:T19CKKK10000001200	Four-wheel alignment	180
		T19CKKK20007752761	Remove and reinstall FR bump block	30
		Ex:T19CKKK20009582751	Remove and reinstall FR shock absorber assy RH	50
		Ex:T19CKKK10000001200	Four-wheel alignment	180
08	T15-2901029	T19CKKK29010292751	Remove and reinstall FR spring LWR cushion LH	30
		Ex:T19CKKK20009572751	Remove and reinstall FR shock absorber assy LH	50

No.	Part No.	Station No.	Station Name	Labour Time
		Ex:T19CKKK10000001200	Four-wheel alignment	180
		T19CKKK29010292761	Remove and reinstall FR spring LWR cushion RH	30
		Ex:T19CKKK20009582751	Remove and reinstall FR shock absorber assy RH	50
		Ex:T19CKKK10000001200	Four-wheel alignment	180
09	202000958AA	T19CKKK20009582751	Remove and reinstall FR shock absorber assy RH	50
		Ex:T19CKKK10000001200	Four-wheel alignment	180
10	202000957AA	T19CKKK20009572751	Remove and reinstall FR shock absorber assy LH	50
		Ex:T19CKKK10000001200	Four-wheel alignment	180



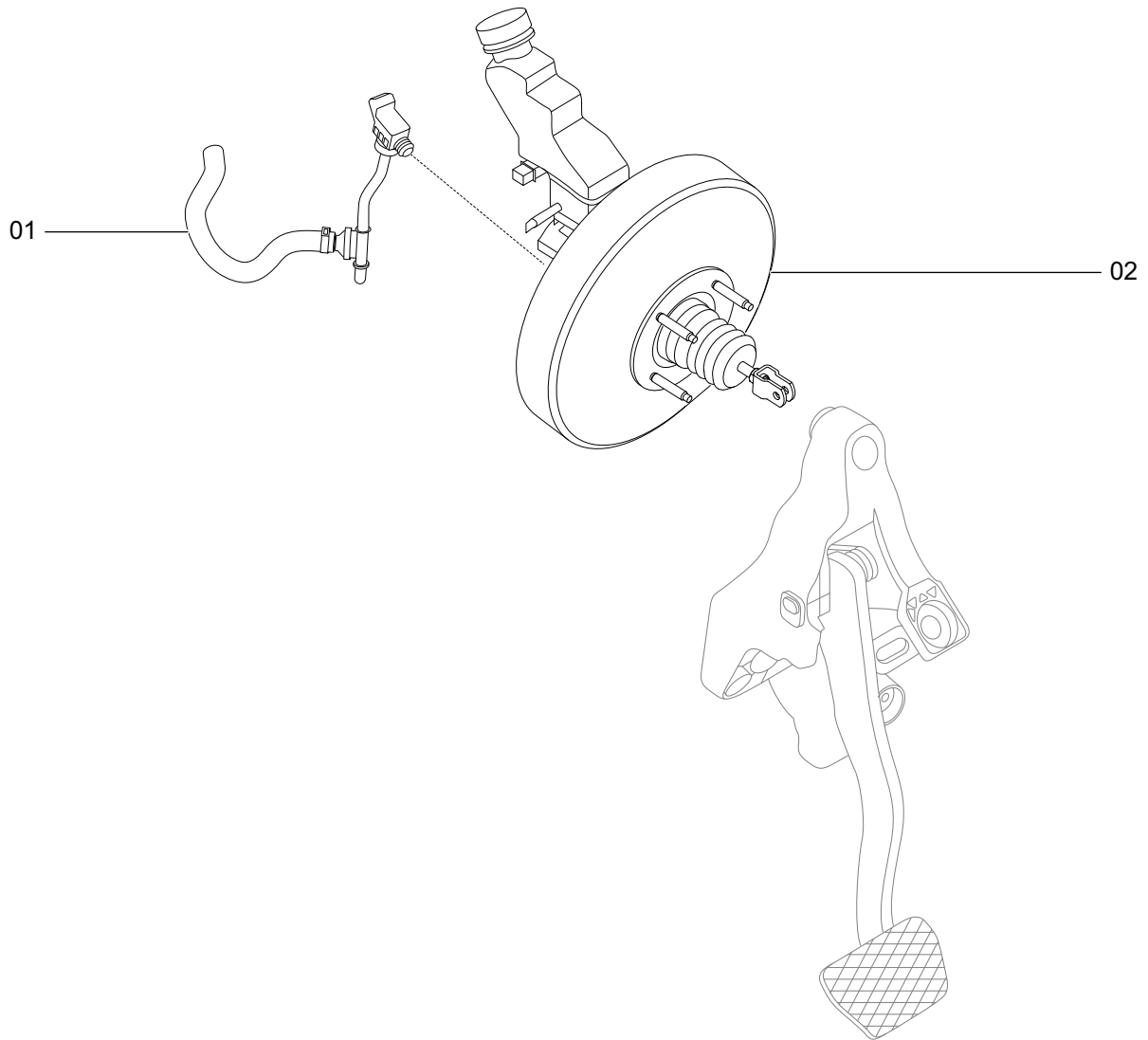
T19050110

No.	Part No.	Station No.	Station Name	Labour Time
01	201000330AA	T19CKKK10003302751	Remove and reinstall mechanical steering gear with tie rod assy	130
		Ex:T19CKKK10000001200	Four-wheel alignment	180
02	201000129AA	T19CKKK10001292761	Remove and reinstall Outer ball pin assy RH	30
		Ex:T19CKKK10000001200	Four-wheel alignment	180
03	201000128AA	T19CKKK10001282751	Remove and reinstall OTR ball pin assy LH	30
		Ex:T19CKKK10000001200	Four-wheel alignment	180
04	201000125AA	T19CKKK10001252751	Remove and reinstall INR tie rod assy LH	20
		Ex:T19CKKK10001262751	Remove and reinstall tie rod boot LH	10
		Ex:T19CKKK10001282751	Remove and reinstall OTR ball pin assy LH	30
		Ex:T19CKKK10000001200	Four-wheel alignment	180
		T19CKKK10001252761	Remove and reinstall INR tie rod assy	20
		Ex:T19CKKK10001262761	Remove and reinstall tie rod boot RH	10
		Ex:T19CKKK10001292761	Remove and reinstall Outer ball pin assy RH	30
		Ex:T19CKKK10000001200	Four-wheel alignment	180
05	201000126AA	T19CKKK10001262751	Remove and reinstall tie rod boot LH	10
		Ex:T19CKKK10001282751	Remove and reinstall OTR ball pin assy LH	30
		Ex:T19CKKK10000001200	Four-wheel alignment	180
		T19CKKK10001262761	Remove and reinstall tie rod boot RH	10
		Ex:T19CKKK10001292761	Remove and reinstall Outer ball pin assy RH	30
		Ex:T19CKKK10000001200	Four-wheel alignment	180



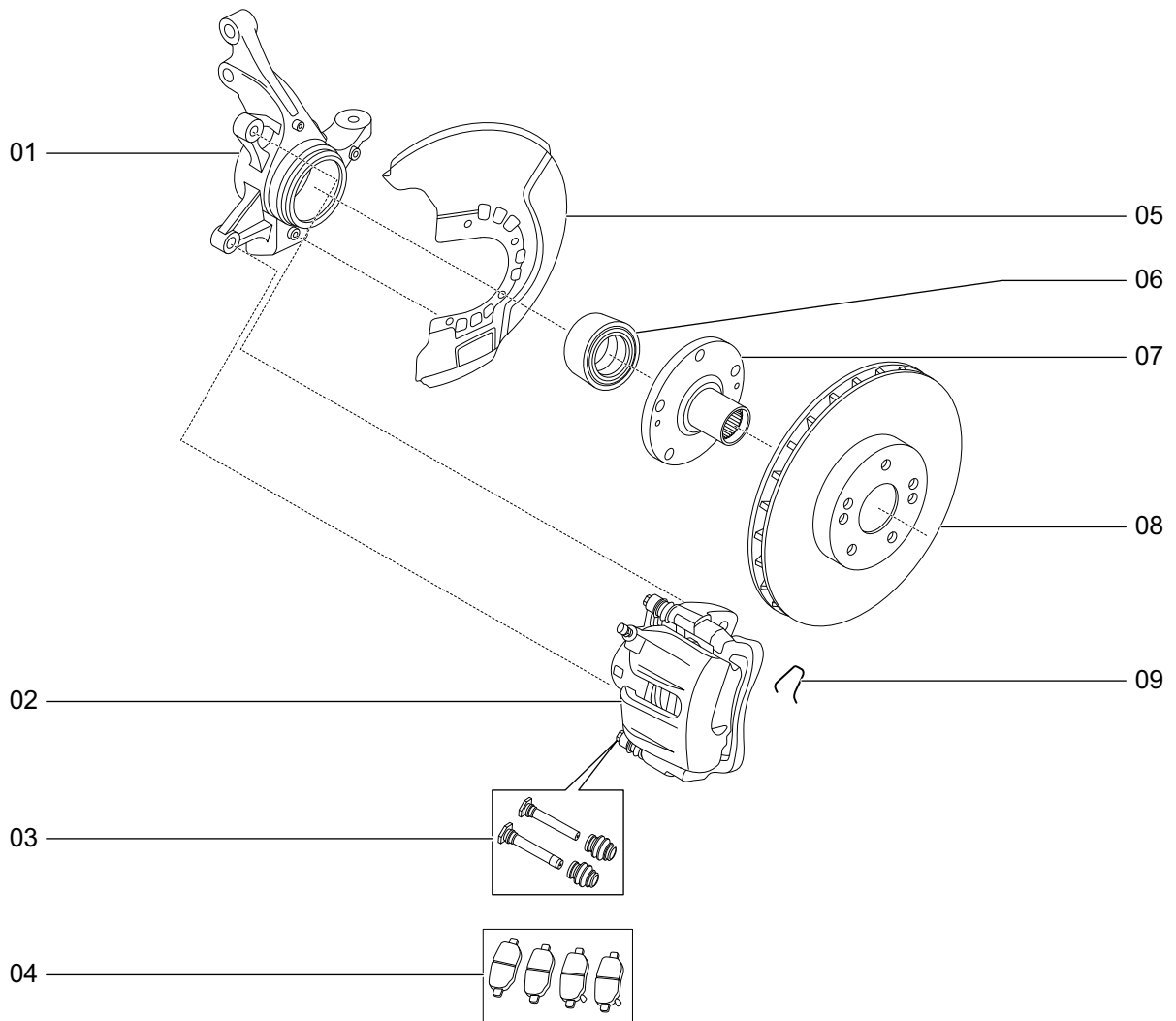
T19050120

No.	Part No.	Station No.	Station Name	Labour Time
01	J42-3903032	T19CKKK39030322701	Remove and reinstall spare tire warning plate	20
02	T15-3101030	T19CKKK31010302701	Remove and reinstall spare steel rim assy	20
03	T15-3106030	T19CKKK31060302701	Remove and reinstall spare tire assy	30
04	203000449AA	T19CKKK30004492701	Remove and reinstall 1 tire assy	20
		T19CKKK30004492702	Remove and reinstall 2 Tire assy	30
		T19CKKK30004492703	Remove and reinstall 3 tire assy	40
		T19CKKK30004492704	Remove and reinstall 4 tire assy	50
05	203000450AA	T19CKKK30004502751	Remove and reinstall 1 aluminum wheel assy	20
		Ex:T19CKKK30004492701	Remove and reinstall 1 tire assy	20
		T19CKKK30004502752	Remove and reinstall 2 aluminum wheel assys	30
		Ex:T19CKKK30004492702	Remove and reinstall 2 Tire assy	30
		T19CKKK30004502753	Remove and reinstall 3 aluminum wheel assy	40
		Ex:T19CKKK30004492703	Remove and reinstall 3 tire assy	40
		T19CKKK30004502754	Remove and reinstall 4 aluminum wheel assys	50
		Ex:T19CKKK30004492704	Remove and reinstall 4 tire assy	50
06	203000111AA	T19CKKK30001112701	Remove and reinstall aluminum wheel trim cover	10
07	203000541AA	T19CKKK30005412701	Remove and reinstall aluminum wheel trim cover	10
08	A11-3100117	T19CKKK31001172751	Remove and reinstall Snap-in valve	0
		Ex:T19CKKK30004502751	Remove and reinstall 1 aluminum wheel assy	20
		Ex:T19CKKK30004492701	Remove and reinstall 1 tire assy	20
		T19CKKK31001172752	Remove and reinstall 2 snap-in valves	0
		Ex:T19CKKK30004502752	Remove and reinstall 2 aluminum wheel assys	30
		Ex:T19CKKK30004492702	Remove and reinstall 2 Tire assy	30
		T19CKKK31001172753	Remove and reinstall 3 snap-in valves	0
		Ex:T19CKKK30004502753	Remove and reinstall 3 aluminum wheel assy	40
		Ex:T19CKKK30004492703	Remove and reinstall 3 tire assy	40
		T19CKKK31001172754	Remove and reinstall 4 snap-in valves	0
		Ex:T19CKKK30004502754	Remove and reinstall 4 aluminum wheel assys	50
		Ex:T19CKKK30004492704	Remove and reinstall 4 tire assy	50



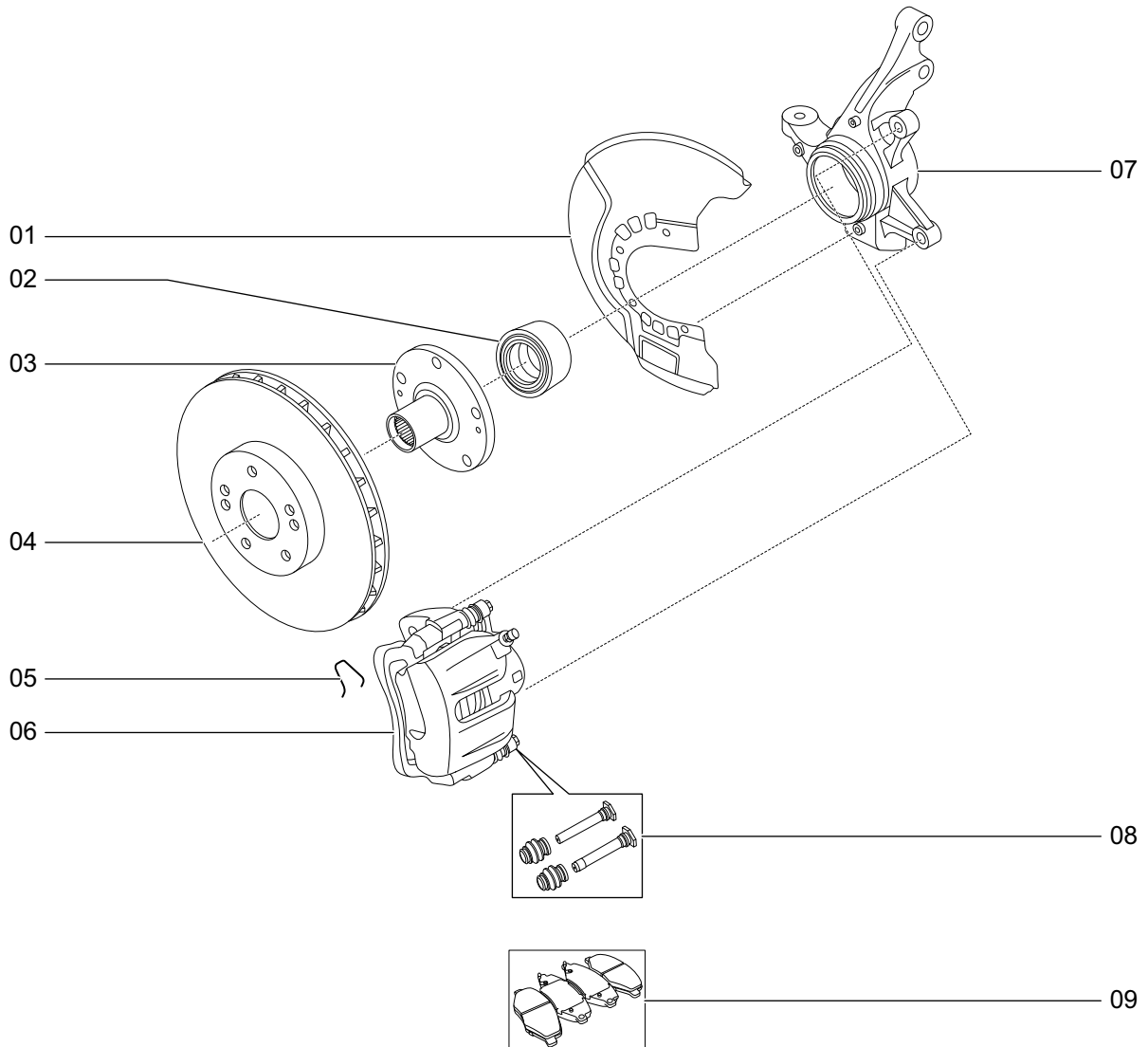
T19050130

No.	Part No.	Station No.	Station Name	Labour Time
01	204001792AA	T19CKKK40017922701	Remove and reinstall vacuum brake hose assy	20
02	204000069AA	T19CKKK40000692751	Remove and reinstall vacuum booster with master cylinder with reservoir assy	80
		Ex:T19CKKK70001982751	Remove and reinstall ESP controller assy	60
		Ex:T19CKKK47031112021	Drain and fill brake fluid	50



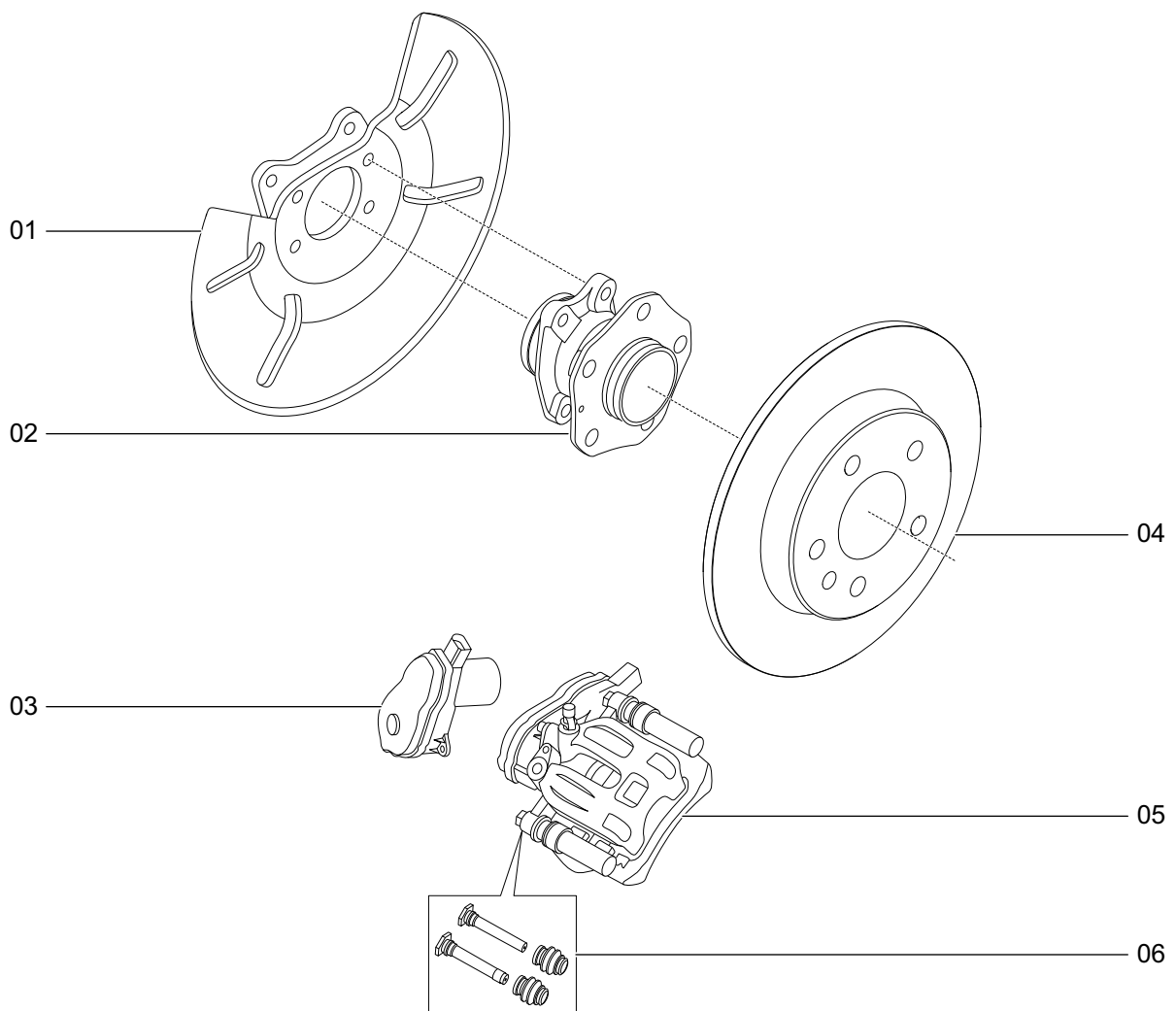
T19050140

No.	Part No.	Station No.	Station Name	Labour Time
01	204000077AA	T19CKKK40000772751	Remove and reinstall FR steering knuckle LH	10
		Ex:T19CKKK10000001200	Four-wheel alignment	180
		Ex:T19CKKK35010772751	Remove and reinstall FR dustproof plate LH	20
		Ex:T19CKKK40000812751	Remove and reinstall FR brake disc	20
		Ex:T19CKKK40009722751	Remove and reinstall FR brake caliper assy LH	30
		Ex:T19CKKK30004492701	Remove and reinstall 1 tire assy	20
02	204000086AA	T19CKKK40000862751	Remove and reinstall Front caliper assembly LH	30
		Ex:T19CKKK30004492701	Remove and reinstall 1 tire assy	20
	204000972AA	T19CKKK40009722751	Remove and reinstall FR brake caliper assy LH	30
		Ex:T19CKKK30004492701	Remove and reinstall 1 tire assy	20
03	T19-6GN3501067	T19CKKK35010672701	Remove and reinstall FR brake caliper guide pin repair kit LH	60
04	T19-6GN3501080	T19CKKK35010802751	Remove and reinstall FR brake pad (for two wheels)	40
		Ex:T19CKKK30004492702	Remove and reinstall 2 Tire assy	30
05	T15-3501077	T19CKKK35010772751	Remove and reinstall FR dustproof plate LH	20
		Ex:T19CKKK40000812751	Remove and reinstall FR brake disc	20
		Ex:T19CKKK40009722751	Remove and reinstall FR brake caliper assy LH	30
		Ex:T19CKKK30004492701	Remove and reinstall 1 tire assy	20
06	T11-3001030	T19CKKK30010302751	Remove and reinstall steering knuckle bearing assy LH	30
		Ex:T19CKKK40001122751	Remove and reinstall FR hub	10
		Ex:T19CKKK40000772751	Remove and reinstall FR steering knuckle LH	10
		Ex:T19CKKK10000001200	Four-wheel alignment	180
		Ex:T19CKKK35010772751	Remove and reinstall FR dustproof plate LH	20
		Ex:T19CKKK40000812751	Remove and reinstall FR brake disc	20
		Ex:T19CKKK40009722751	Remove and reinstall FR brake caliper assy LH	30
		Ex:T19CKKK30004492701	Remove and reinstall 1 tire assy	20
07	204000112AA	T19CKKK40001122751	Remove and reinstall FR hub	10
		Ex:T19CKKK40000772751	Remove and reinstall FR steering knuckle LH	10
		Ex:T19CKKK10000001200	Four-wheel alignment	180
		Ex:T19CKKK35010772751	Remove and reinstall FR dustproof plate LH	20
		Ex:T19CKKK40000812751	Remove and reinstall FR brake disc	20
		Ex:T19CKKK40009722751	Remove and reinstall FR brake caliper assy LH	30
		Ex:T19CKKK30004492701	Remove and reinstall 1 tire assy	20
08	204000081AA	T19CKKK40000812751	Remove and reinstall FR brake disc	20
		Ex:T19CKKK40009722751	Remove and reinstall FR brake caliper assy LH	30
		Ex:T19CKKK30004492701	Remove and reinstall 1 tire assy	20
09	J69-6GN3501081	T19CKKK35010812721	Remove and reinstall slanted spring LH	10
		Ex:T19CKKK40009722751	Remove and reinstall FR brake caliper assy LH	30
		Ex:T19CKKK30004492701	Remove and reinstall 1 tire assy	20



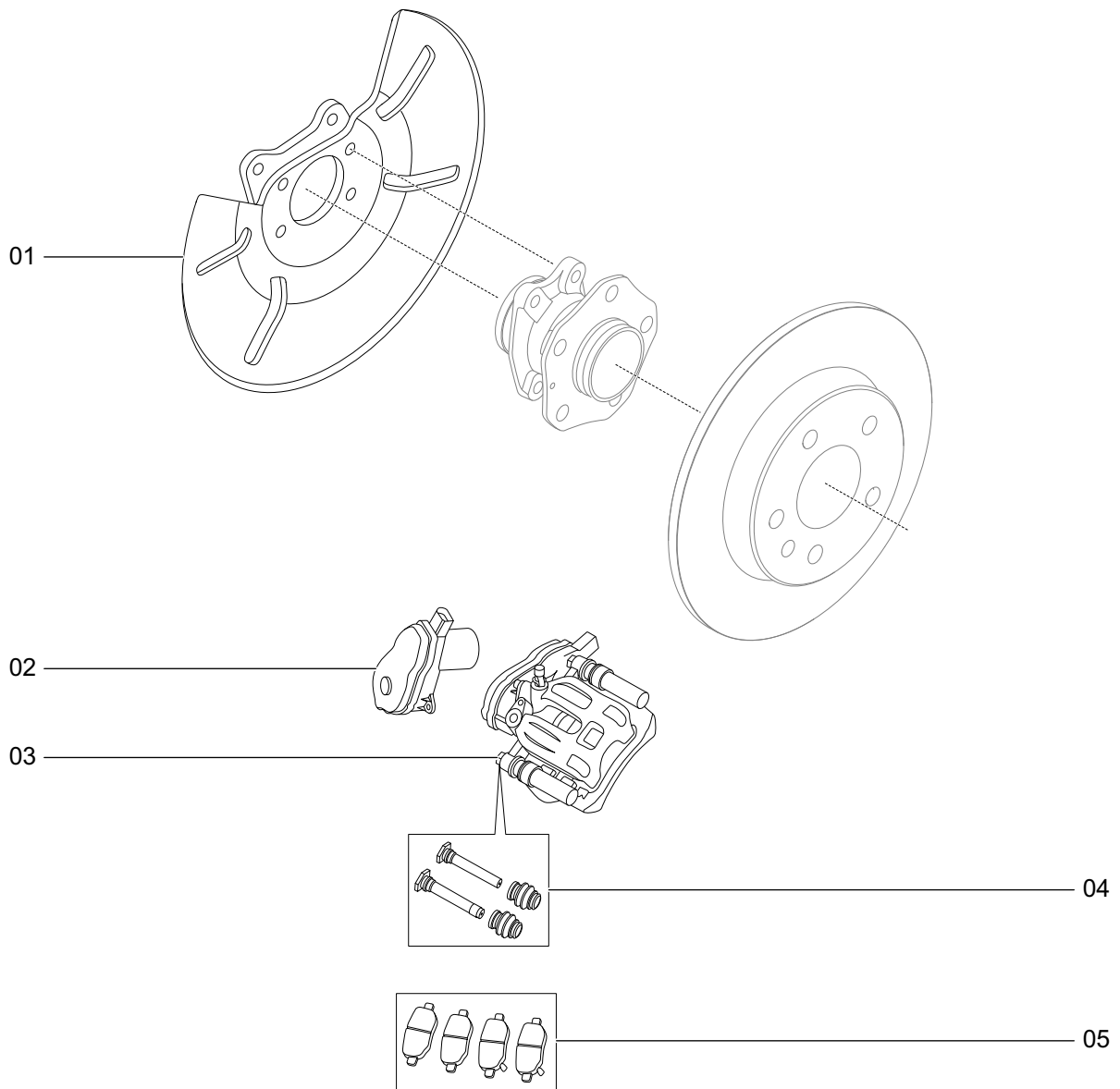
T19050150

No.	Part No.	Station No.	Station Name	Labour Time
01	T15-3501078	T19CKKK35010782761	Remove and reinstall FR dustproof plate RH	20
		Ex:T19CKKK40000812761	Remove and reinstall FR brake disc RH	20
		Ex:T19CKKK40000872761	Remove and reinstall FR brake caliper assy RH	30
		Ex:T19CKKK30004492701	Remove and reinstall 1 tire assy	20
02	T11-3001030	T19CKKK30010302761	Remove and reinstall steering knuckle bearing assy RH	30
		Ex:T19CKKK40001122761	Remove and reinstall FR hub RH	10
		Ex:T19CKKK40000782761	Remove and reinstall FR steering knuckle RH	10
		Ex:T19CKKK10000001200	Four-wheel alignment	180
		Ex:T19CKKK35010782761	Remove and reinstall FR dustproof plate RH	20
		Ex:T19CKKK40000812761	Remove and reinstall FR brake disc RH	20
		Ex:T19CKKK40000872761	Remove and reinstall FR brake caliper assy RH	30
Ex:T19CKKK30004492701	Remove and reinstall 1 tire assy	20		
03	204000112AA	T19CKKK40001122761	Remove and reinstall FR hub RH	10
		Ex:T19CKKK40000782761	Remove and reinstall FR steering knuckle RH	10
		Ex:T19CKKK10000001200	Four-wheel alignment	180
		Ex:T19CKKK35010782761	Remove and reinstall FR dustproof plate RH	20
		Ex:T19CKKK40000812761	Remove and reinstall FR brake disc RH	20
		Ex:T19CKKK40000872761	Remove and reinstall FR brake caliper assy RH	30
		Ex:T19CKKK30004492701	Remove and reinstall 1 tire assy	20
04	204000081AA	T19CKKK40000812761	Remove and reinstall FR brake disc RH	20
		Ex:T19CKKK40000872761	Remove and reinstall FR brake caliper assy RH	30
		Ex:T19CKKK30004492701	Remove and reinstall 1 tire assy	20
05	J69-6GN3501081	T19CKKK35010812731	Remove and reinstall slanted spring RH	10
		Ex:T19CKKK40000872761	Remove and reinstall FR brake caliper assy RH	30
		Ex:T19CKKK30004492701	Remove and reinstall 1 tire assy	20
06	204000087AA	T19CKKK40000872761	Remove and reinstall FR brake caliper assy RH	30
		Ex:T19CKKK30004492701	Remove and reinstall 1 tire assy	20
	204000973AA	T19CKKK40009732761	Remove and reinstall FR brake caliper assy RH	30
		Ex:T19CKKK30004492701	Remove and reinstall 1 tire assy	20
07	204000078AA	T19CKKK40000782761	Remove and reinstall FR steering knuckle RH	10
		Ex:T19CKKK10000001200	Four-wheel alignment	180
		Ex:T19CKKK35010782761	Remove and reinstall FR dustproof plate RH	20
		Ex:T19CKKK40000812761	Remove and reinstall FR brake disc RH	20
		Ex:T19CKKK40000872761	Remove and reinstall FR brake caliper assy RH	30
		Ex:T19CKKK30004492701	Remove and reinstall 1 tire assy	20
08	T19-6GN3501067	T19CKKK35010672711	Remove and reinstall FR brake caliper guide pin service kit RH	60
09	J69-6GN3501080	T19CKKK35010802761	Remove and reinstall FR brake pad (for two wheels)	40
		Ex:T19CKKK30004492702	Remove and reinstall 2 Tire assy	30



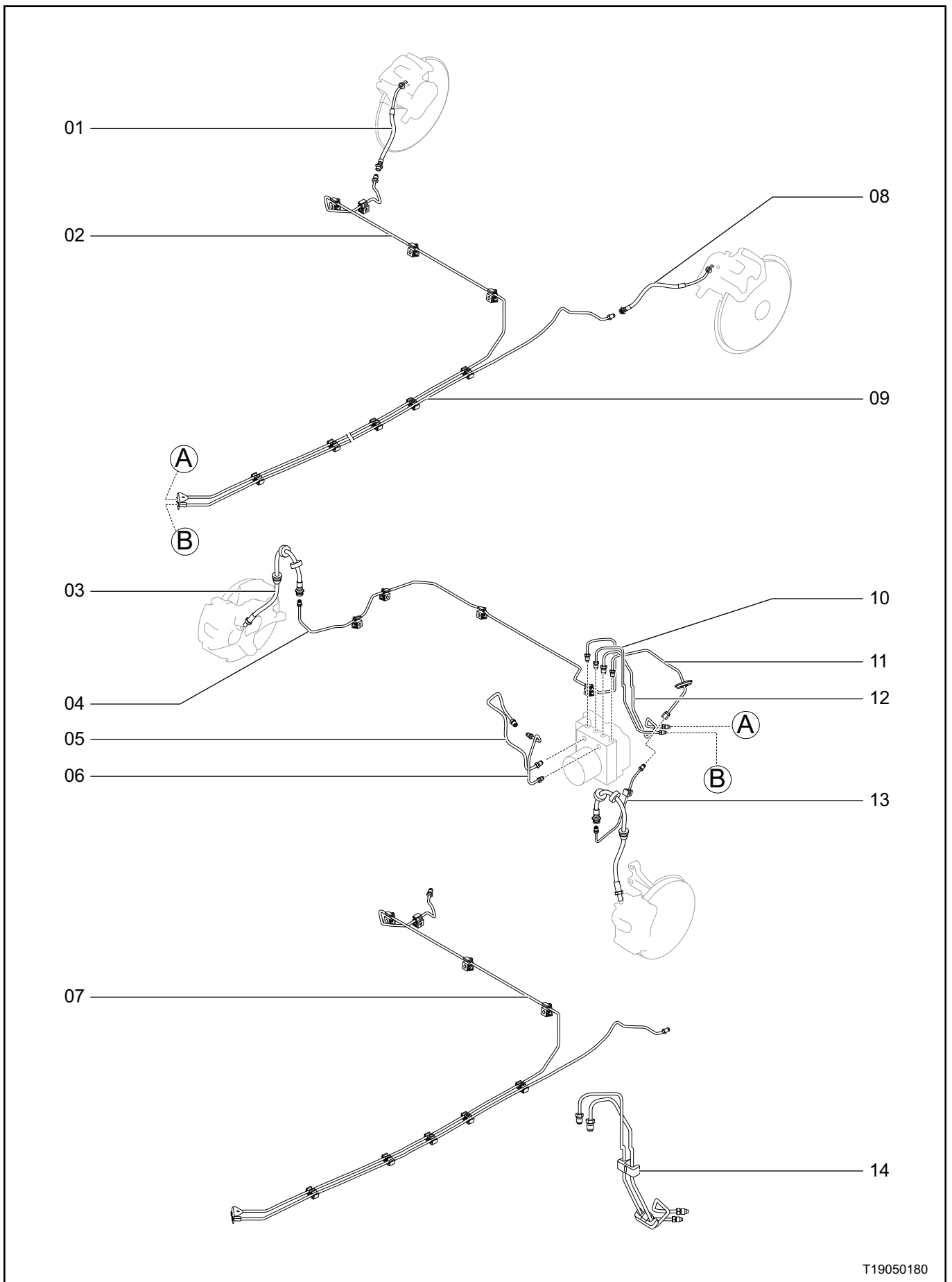
T19050160

No.	Part No.	Station No.	Station Name	Labour Time
01	204001334AA	T19CKKK40013342701	Remove and reinstall RR fender apron LH assy	20
02	204000065AA	T19CKKK40000652731	Remove and reinstall RR bearing assy LH	20
		Ex:T19CKKK35020752751	Remove and reinstall RR brake disc	20
		Ex:T19CKKK40000712751	Remove and reinstall Caliper assy EPB LR	30
		Ex:T19CKKK30004492701	Remove and reinstall 1 tire assy	20
03	J60-3502061	T19CKKK35020612751	Remove and reinstall electrical control actuator unit	20
		Ex:T19CKKK30004492701	Remove and reinstall 1 tire assy	20
04	J69-3502075	T19CKKK35020752751	Remove and reinstall RR brake disc	20
		Ex:T19CKKK40000712751	Remove and reinstall Caliper assy EPB LR	30
		Ex:T19CKKK30004492701	Remove and reinstall 1 tire assy	20
05	204000071AA	T19CKKK40000712751	Remove and reinstall Caliper assy EPB LR	30
		Ex:T19CKKK30004492701	Remove and reinstall 1 tire assy	20
	204000974AA	T19CKKK40009742731	Remove and reinstall Caliper assy EPB LR	30
		Ex:T19CKKK30004492701	Remove and reinstall 1 tire assy	20
06	T15-XLB3502067EP	T19CKKK35020672701	Remove and reinstall RR brake caliper guide pin repair kit LH	60



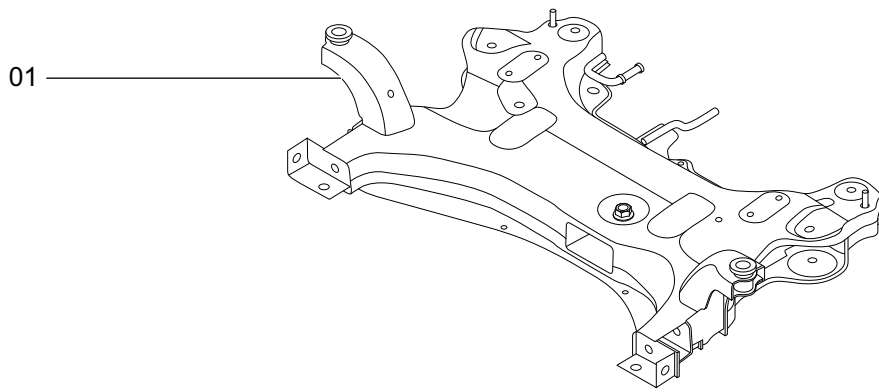
T19050170

No.	Part No.	Station No.	Station Name	Labour Time
01	204001335AA	T19CKKK40013352701	Remove and reinstall RR fender apron RH assy	20
02	J60-3502061	T19CKKK35020612761	Remove and reinstall electrical control actuator unit RH	20
		Ex:T19CKKK30004492701	Remove and reinstall 1 tire assy	20
03	204000072AA	T19CKKK40000722751	Remove and reinstall Caliper assy EPB RR	30
		Ex:T19CKKK30004492701	Remove and reinstall 1 tire assy	20
	204000975AA	T19CKKK40009752751	Remove and reinstall Caliper assy EPB RR	30
		Ex:T19CKKK30004492701	Remove and reinstall 1 tire assy	20
04	T15-XLB3502067EP	T19CKKK35020672711	Remove and reinstall RR brake caliper guide pin repair kit RH	60
05	T19-6GN3502080EP	T19CKKK35020802761	Remove and reinstall RR brake pad (for one vehicle)	40
		Ex:T19CKKK30004492702	Remove and reinstall 2 Tire assy	30



T19050180

No.	Part No.	Station No.	Station Name	Labour Time
01	204000309AA	T19CKKK40003092751	Remove and reinstall RR brake hose assy RH	30
		Ex:T19CKKK47031112021	Drain and fill brake fluid	50
02	204000307AA	T19CKKK40003072751	Remove and reinstall RR hard pipe II assy RH	40
		Ex:T19CKKK47031112021	Drain and fill brake fluid	50
03	T15-3506010	T19CKKK35060102751	Remove and reinstall FR brake hose assy	30
		Ex:T19CKKK47031112021	Drain and fill brake fluid	50
04	204000331AA	T19CKKK40003312751	Remove and reinstall FR brake pipe assy RH	30
		Ex:T19CKKK47031112021	Drain and fill brake fluid	50
05	204000304AA	T19CKKK40003042751	Remove and reinstall master pump RR chamber hard pipe assy	30
		Ex:T19CKKK47031112021	Drain and fill brake fluid	50
06	204000303AA	T19CKKK40003032751	Remove and reinstall Master pump FR chamber hard pipe assy	30
		Ex:T19CKKK47031112021	Drain and fill brake fluid	50
07	204000305AA	T19CKKK40003052731	Remove and reinstall chassis brake tube II assy	30
		Ex:T19CKKK47031112021	Drain and fill brake fluid	50
08	204000308AA	T19CKKK40003082751	Remove and reinstall RR brake hose assy LH	30
		Ex:T19CKKK47031112021	Drain and fill brake fluid	50
09	204000306AA	T19CKKK40003062751	Remove and reinstall RR hard pipe II assy LH	40
		Ex:T19CKKK47031112021	Drain and fill brake fluid	50
10	204000328AA	T19CKKK40003282751	Remove and reinstall RR brake pipe I assy LH	40
		Ex:T19CKKK47031112021	Drain and fill brake fluid	50
11	204000330AA	T19CKKK40003302751	Remove and reinstall FR brake pipe I assy LH	30
		Ex:T19CKKK47031112021	Drain and fill brake fluid	50
12	204000329AA	T19CKKK40003292751	Remove and reinstall RR brake pipe I assy RH	40
		Ex:T19CKKK47031112021	Drain and fill brake fluid	50
13	204000375AA	T19CKKK40003752751	Remove and reinstall FR brake pipe II assy LH	30
		Ex:T19CKKK47031112021	Drain and fill brake fluid	50
14	204000327AA	T19CKKK40003272761	Remove and reinstall chassis brake tube i assy	30
		Ex:T19CKKK47031112021	Drain and fill brake fluid	50

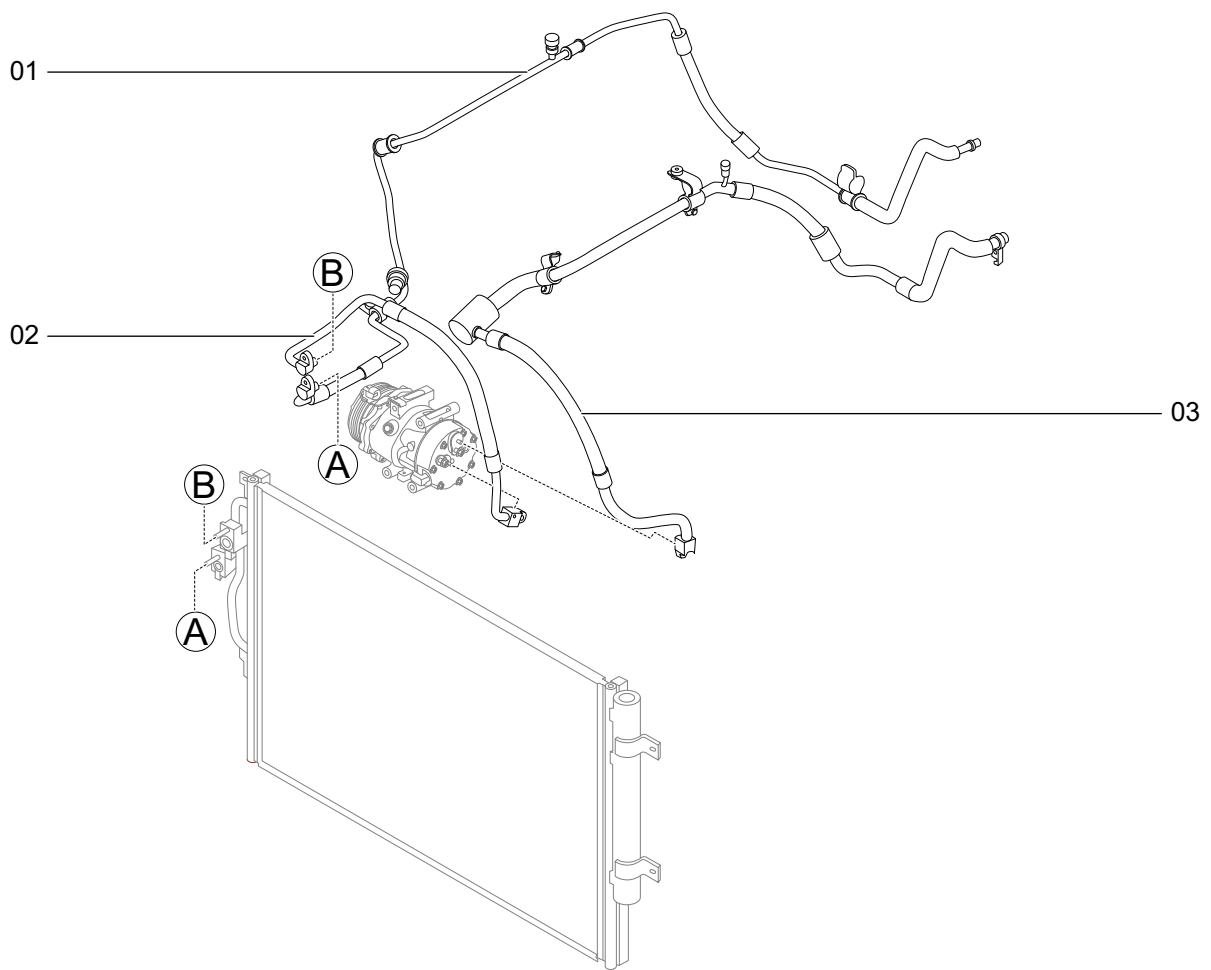


T19050190

No.	Part No.	Station No.	Station Name	Labour Time
01	T15-2810010	T19CKKK28100102751	Remove and reinstall FR sub frame assy	220
		Ex:T19CKKK10000001200	Four-wheel alignment	180

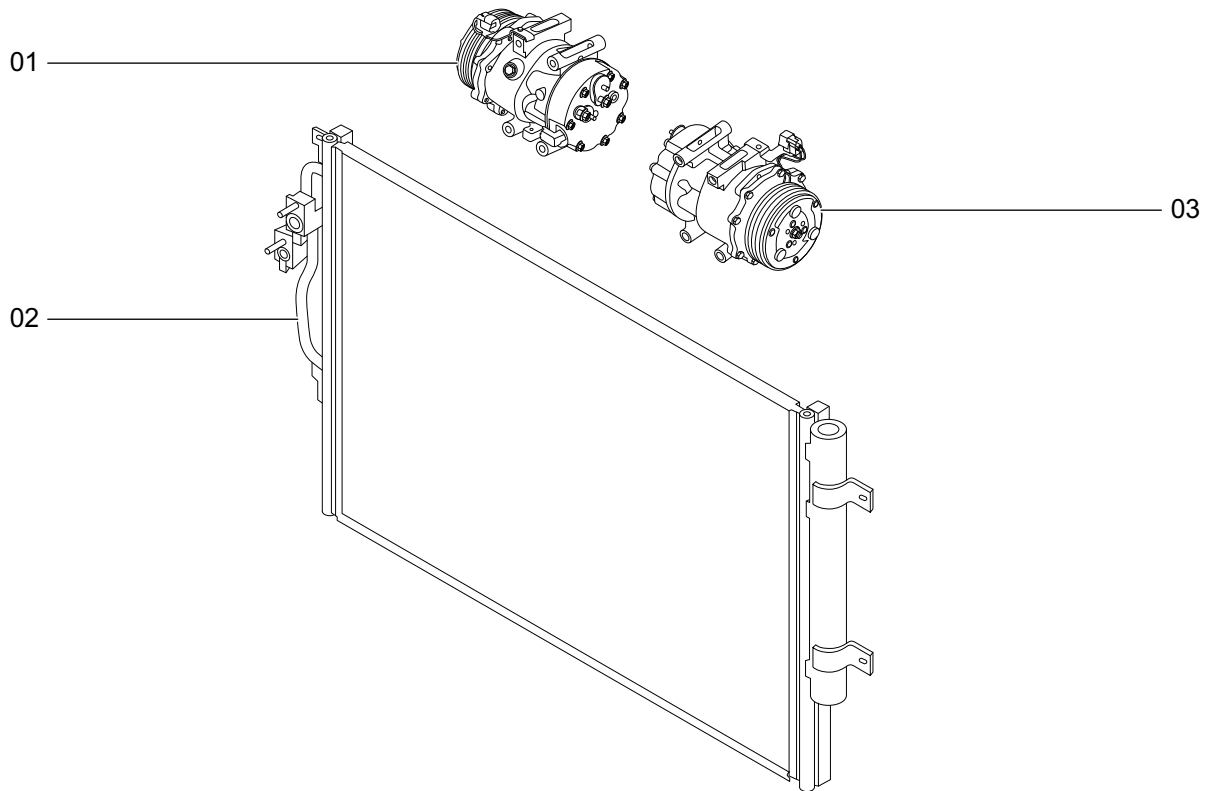
ELECTRICAL

Refrigeration pipeline and components.....	06 - 2
Compressor and other refrigeration components.....	06 - 4
FR internal A/C control set.....	06 - 6
FR internal A/C set.....	06 - 8
Sensor and driver airbag	06 - 12
Illumination system	06 - 14
Washer system	06 - 17
Wiper system.....	06 - 19
Audio head unit.....	06 - 21
Personal device interface	06 - 23
Speaker, power amplifier	06 - 25
Antenna	06 - 27
Parking radar assist system	06 - 29
Blind spot monitor system	06 - 31
Automatic emergency brake system	06 - 33
Panoramic image system	06 - 35
Tire pressure monitoring system.....	06 - 37
Body controller.....	06 - 39
Power back door.....	06 - 41
Passive entry & passive start system	06 - 43
Wire harness.....	06 - 45
Power supply system	06 - 47
Power supply distribution unit	06 - 49
Vehicle switch	06 - 51
Center gateway system	06 - 53



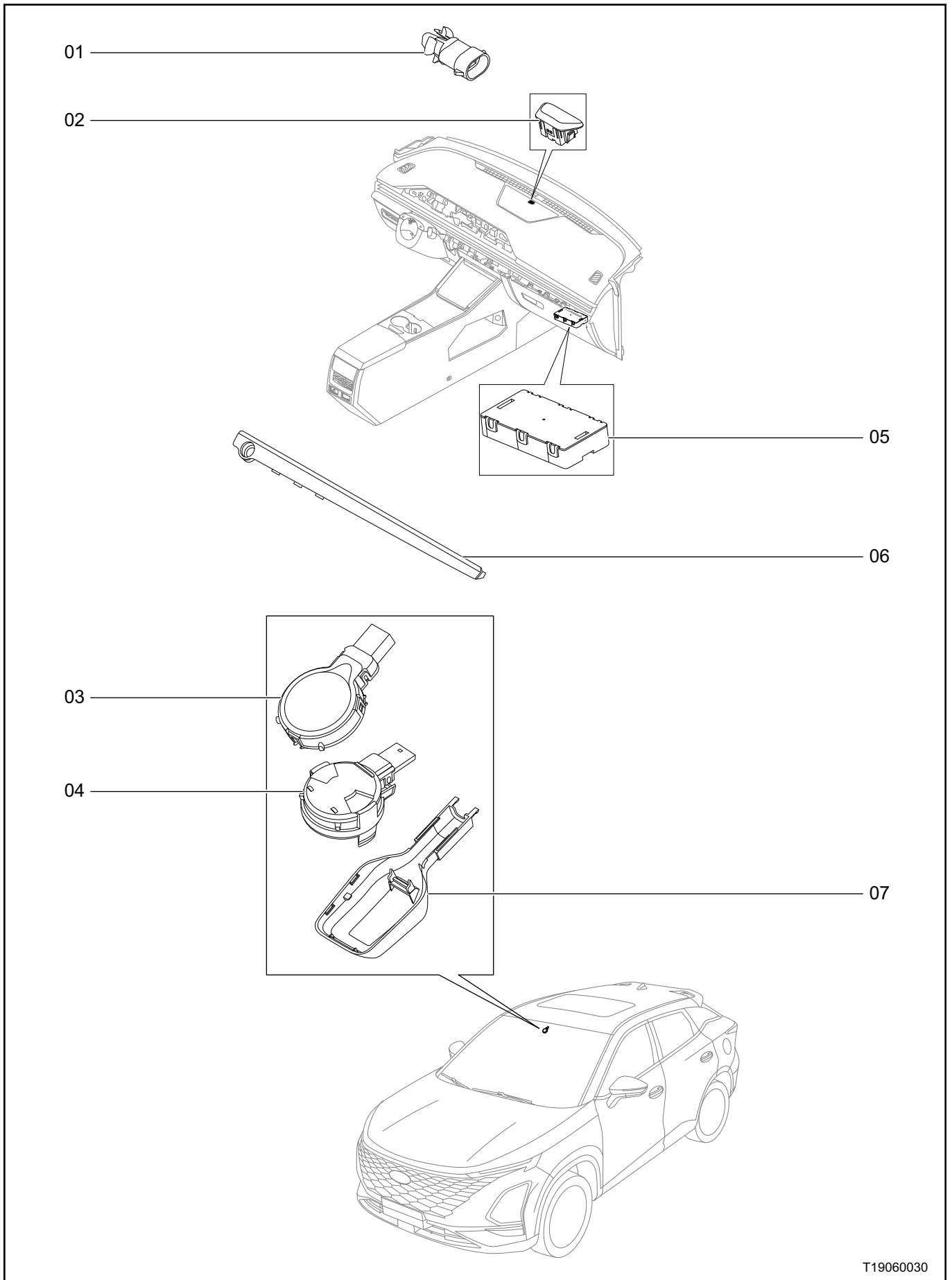
T19060010

No.	Part No.	Station No.	Station Name	Labour Time
01	301001309AA	T19CKKK10013092751	Remove and reinstall condenser-evaporator line assy	20
		Ex:T19CKKK47020112201	Drain and fill refrigerant R134a	50
		Ex:T19CKKK20027772701	Remove and reinstall FR bumper UPR body	50
02	301001316AA	T19CKKK10013162751	Remove and reinstall compressor to condenser line assy	20
		Ex:T19CKKK47020112201	Drain and fill refrigerant R134a	50
		Ex:T19CKKK20027772701	Remove and reinstall FR bumper UPR body	50
03	301001261AA	T19CKKK10012612751	Remove and reinstall hose assy - evaporator to compressor	30
		Ex:T19CKKK47020112201	Drain and fill refrigerant R134a	50



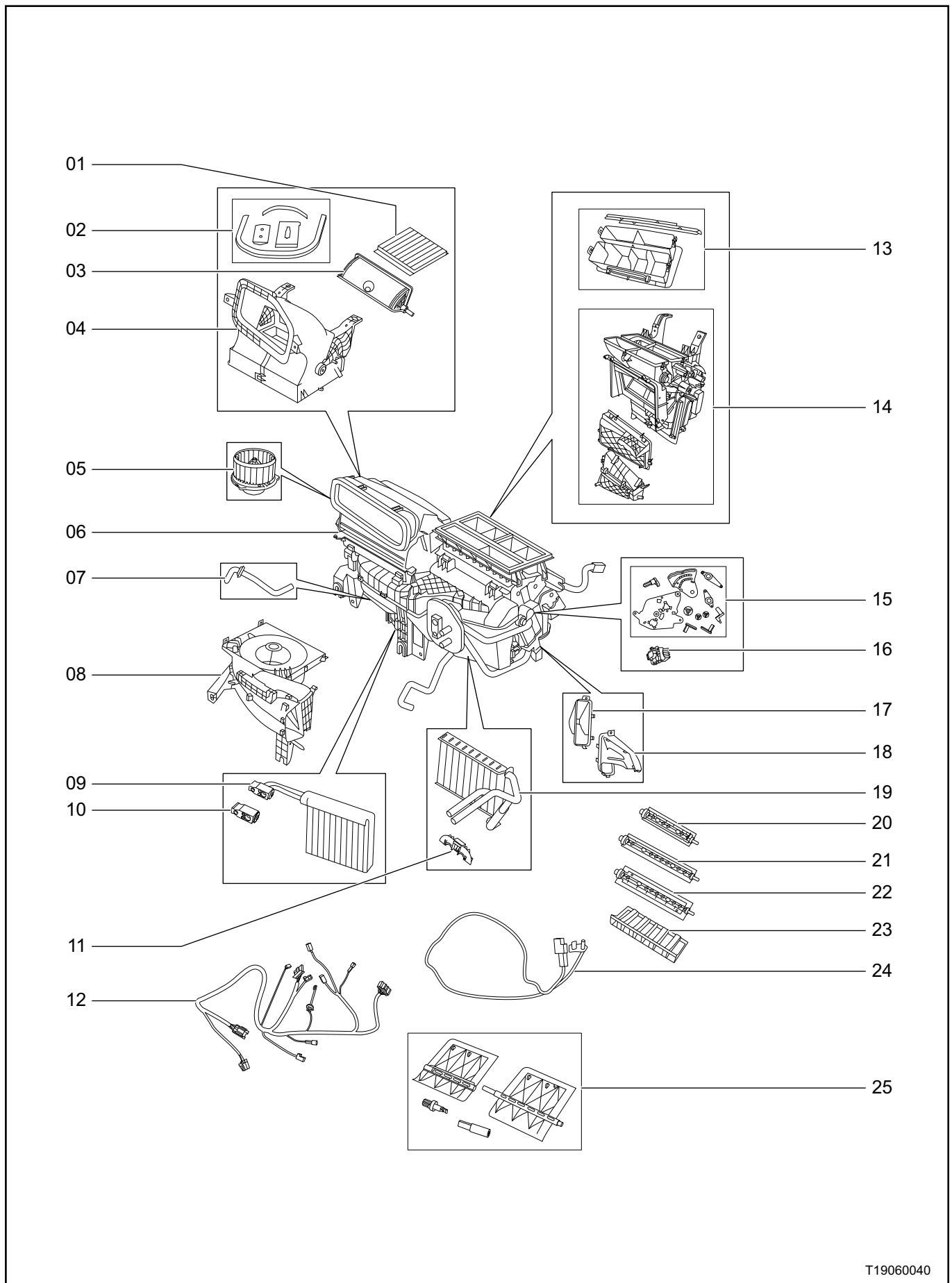
T19060020

No.	Part No.	Station No.	Station Name	Labour Time
01	301000711AA	T19CKKK10007112751	Remove and reinstall v-ribbed belt a/c compressor assy	50
		Ex:T19CKKK47020112201	Drain and fill refrigerant R134a	50
02	301000058AA	T19CKKK10000582751	Remove and reinstall Condenser assy	30
		Ex:T19CKKK47020112201	Drain and fill refrigerant R134a	50
		Ex:T19CKKK20027772701	Remove and reinstall FR bumper UPR body	50
03	301000131AA	T19CKKK10001312751	Remove and reinstall A/C compressor assy	50
		Ex:T19CKKK47020112201	Drain and fill refrigerant R134a	50



T19060030

No.	Part No.	Station No.	Station Name	Labour Time
01	301000071AA	T19CKKK10000712751	Remove and reinstall Outside temperature sensor assy	10
		Ex:T19CKKK20027772701	Remove and reinstall FR bumper UPR body	50
02	301000409AA	T19CKKK10004092701	Remove and reinstall dual solar sensor	20
03	803000005AA	T19CKKK30000052751	Remove and reinstall light/rain sensor	20
		Ex:T19CKKK10007152701	Remove and reinstall inside rearview mirror right guard	20
04	T21-3600061	T19CKKK36000612751	Remove and reinstall light sensor	20
		Ex:T19CKKK10007152701	Remove and reinstall inside rearview mirror right guard	20
05	301001255AA	T19CKKK10012552701	Remove and reinstall automatic A/C control module	20
06	301001203AA	T19CKKK10012032701	Remove and reinstall automatic A/C control panel assy	30
07	J60-3600065	T19CKKK36000652701	Remove and reinstall Rain light sensor cover	20

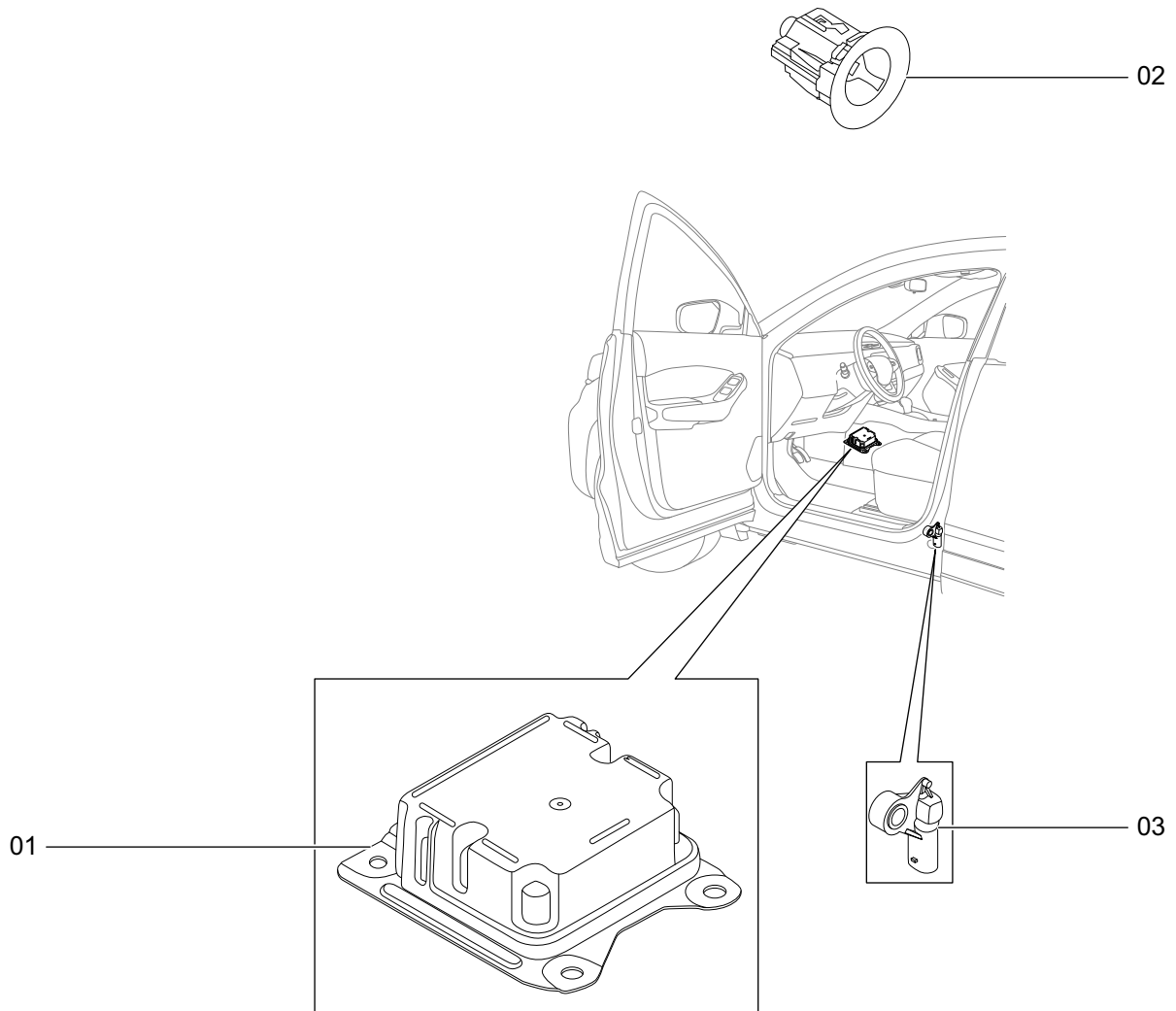


T19060040

No.	Part No.	Station No.	Station Name	Labour Time
01	ZJP-CY5000055	T19CKKK50000552751	Remove and reinstall air filter	10
		Ex:T19CKKK10018282701	Remove and reinstall glove box assy	20
02	301001545AA	T19CKKK10015452751	Remove and reinstall sealing sponge set	20
		Ex:T19CKKK10012512751	Remove and reinstall automatic HVAC assy	30
		Ex:T19CKKK47020112201	Drain and fill refrigerant R134a	50
		Ex:T19CKKK10018122751	Remove and reinstall instrument panel body assy	200
		Ex:T19CKKK10019352701	Remove and reinstall Auxiliary dashboard assy	60
03	301001432AA	T19CKKK10014322751	Remove and reinstall INR/OTR circulation damper set	30
		Ex:T19CKKK10012512751	Remove and reinstall automatic HVAC assy	30
		Ex:T19CKKK47020112201	Drain and fill refrigerant R134a	50
		Ex:T19CKKK10018122751	Remove and reinstall instrument panel body assy	200
		Ex:T19CKKK10019352701	Remove and reinstall Auxiliary dashboard assy	60
04	301001583AA	T19CKKK10015832751	Remove and reinstall air inlet housing assy	10
		Ex:T19CKKK10018122751	Remove and reinstall instrument panel body assy	200
		Ex:T19CKKK10019352701	Remove and reinstall Auxiliary dashboard assy	60
05	301001542AA	T19CKKK10015422751	Remove and reinstall motor fan assy	10
		Ex:T19CKKK30041432761	Remove and reinstall pillar C UPR protector assy RH	20
		Ex:T19CKKK30041452761	Remove and reinstall C-pillar LWR protector assy RH	20
		Ex:T19CKKK20037112701	Remove and reinstall Right rear seat back	30
06	301001251AA	T19CKKK10012512751	Remove and reinstall automatic HVAC assy	30
		Ex:T19CKKK47020112201	Drain and fill refrigerant R134a	50
		Ex:T19CKKK10018122751	Remove and reinstall instrument panel body assy	200
		Ex:T19CKKK10019352701	Remove and reinstall Auxiliary dashboard assy	60
		T19CKKK10012513651	Disassemble and reassemble automatic HVAC assy	50
		Ex:T19CKKK10012512751	Remove and reinstall automatic HVAC assy	30
		Ex:T19CKKK47020112201	Drain and fill refrigerant R134a	50
		Ex:T19CKKK10018122751	Remove and reinstall instrument panel body assy	200
Ex:T19CKKK10019352701	Remove and reinstall Auxiliary dashboard assy	60		
07	301001539AA	T19CKKK10015392701	Remove and reinstall evaporator tank drain pipe	20
08	301001535AA	T19CKKK10015352751	Remove and reinstall blower turbine housing assy	10
		Ex:T19CKKK10012512751	Remove and reinstall automatic HVAC assy	30
		Ex:T19CKKK47020112201	Drain and fill refrigerant R134a	50
		Ex:T19CKKK10018122751	Remove and reinstall instrument panel body assy	200
		Ex:T19CKKK10019352701	Remove and reinstall Auxiliary dashboard assy	60
09	301001541AA	T19CKKK10015412751	Remove and reinstall evaporator core assy	40
		Ex:T19CKKK10012512751	Remove and reinstall automatic HVAC assy	30
		Ex:T19CKKK47020112201	Drain and fill refrigerant R134a	50
		Ex:T19CKKK10018122751	Remove and reinstall instrument panel body assy	200

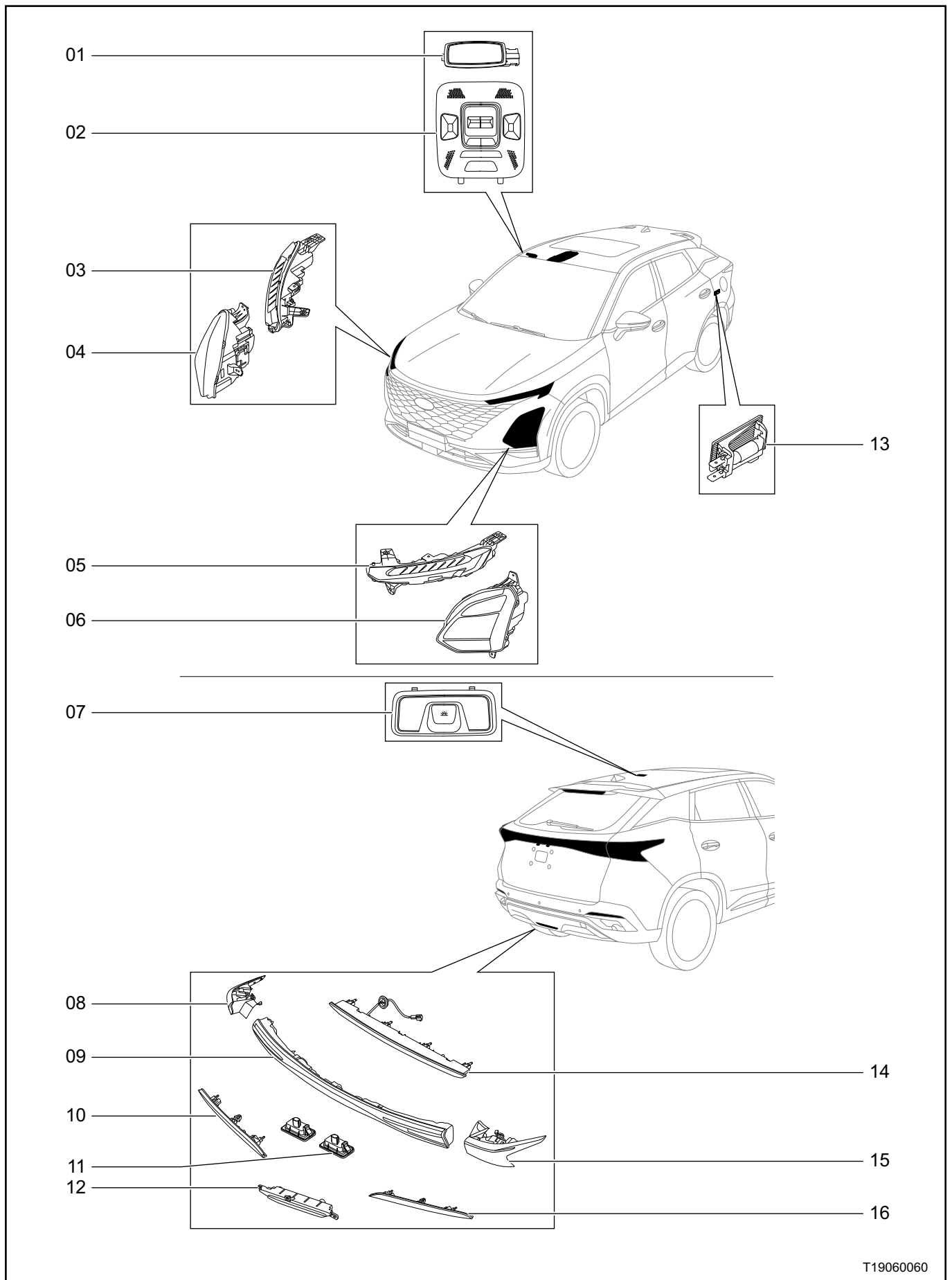
No.	Part No.	Station No.	Station Name	Labour Time
		Ex:T19CKKK10019352701	Remove and reinstall Auxiliary dashboard assy	60
10	301001421AA	T19CKKK10014212701	Remove and reinstall expansion valve	40
11	301001522AA	T19CKKK10015222751	Remove and reinstall heater water pipe cover plate	20
		Ex:T19CKKK10012512751	Remove and reinstall automatic HVAC assy	30
		Ex:T19CKKK47020112201	Drain and fill refrigerant R134a	50
		Ex:T19CKKK10018122751	Remove and reinstall instrument panel body assy	200
		Ex:T19CKKK10019352701	Remove and reinstall Auxiliary dashboard assy	60
12	301001544AA	T19CKKK10015442751	Remove and reinstall Air conditioning Wiring Harness Assembly (automatic)	30
		Ex:T19CKKK10012512751	Remove and reinstall automatic HVAC assy	30
		Ex:T19CKKK47020112201	Drain and fill refrigerant R134a	50
		Ex:T19CKKK10018122751	Remove and reinstall instrument panel body assy	200
		Ex:T19CKKK10019352701	Remove and reinstall Auxiliary dashboard assy	60
13	301001538AA	T19CKKK10015382751	Remove and reinstall HVAC transition duct	20
		Ex:T19CKKK10012512751	Remove and reinstall automatic HVAC assy	30
		Ex:T19CKKK47020112201	Drain and fill refrigerant R134a	50
		Ex:T19CKKK10018122751	Remove and reinstall instrument panel body assy	200
		Ex:T19CKKK10019352701	Remove and reinstall Auxiliary dashboard assy	60
	301001524AA	T19CKKK10015242701	Remove and reinstall HVAC transition duct	20
14	301001537AA	T19CKKK10015372751	Remove and reinstall automatic dispatcher housing assy(with rear blowing)	30
		Ex:T19CKKK10012512751	Remove and reinstall automatic HVAC assy	30
		Ex:T19CKKK47020112201	Drain and fill refrigerant R134a	50
		Ex:T19CKKK10018122751	Remove and reinstall instrument panel body assy	200
		Ex:T19CKKK10019352701	Remove and reinstall Auxiliary dashboard assy	60
15	301001427AA	T19CKKK10014272751	Remove and reinstall mode damper adjustment mechanism	30
		Ex:T19CKKK10012512751	Remove and reinstall automatic HVAC assy	30
		Ex:T19CKKK47020112201	Drain and fill refrigerant R134a	50
		Ex:T19CKKK10018122751	Remove and reinstall instrument panel body assy	200
		Ex:T19CKKK10019352701	Remove and reinstall Auxiliary dashboard assy	60
16	301000115AA	T19CKKK10001152711	Remove and reinstall electronic governor module	40
		T19CKKK10001152701	Remove and reinstall electronic governor module	40
17	301001253AA	T19CKKK10012532751	Remove and reinstall Left foot vent hood assembly	20
		Ex:T19CKKK10019342701	Remove and reinstall Auxiliary dashboard assy	60
18	301001254AA	T19CKKK10012542751	Remove and reinstall Right foot vent hood assembly	20

No.	Part No.	Station No.	Station Name	Labour Time
		Ex:T19CKKK10018282701	Remove and reinstall glove box assy	20
19	301001540AA	T19CKKK10015402751	Remove and reinstall heater core assy	40
		Ex:T19CKKK10012512751	Remove and reinstall automatic HVAC assy	30
		Ex:T19CKKK47020112201	Drain and fill refrigerant R134a	50
		Ex:T19CKKK10018122751	Remove and reinstall instrument panel body assy	200
		Ex:T19CKKK10019352701	Remove and reinstall Auxiliary dashboard assy	60
20	301001643AA	T19CKKK10016432751	Remove and reinstall face damper set	30
		Ex:T19CKKK10012512751	Remove and reinstall automatic HVAC assy	30
		Ex:T19CKKK47020112201	Drain and fill refrigerant R134a	50
		Ex:T19CKKK10018122751	Remove and reinstall instrument panel body assy	200
		Ex:T19CKKK10019352701	Remove and reinstall Auxiliary dashboard assy	60
21	301001428AA	T19CKKK10014282751	Remove and reinstall defroster damper set	30
		Ex:T19CKKK10012512751	Remove and reinstall automatic HVAC assy	30
		Ex:T19CKKK47020112201	Drain and fill refrigerant R134a	50
		Ex:T19CKKK10018122751	Remove and reinstall instrument panel body assy	200
		Ex:T19CKKK10019352701	Remove and reinstall Auxiliary dashboard assy	60
22	301001430AA	T19CKKK10014302751	Remove and reinstall Foot damper set	30
		Ex:T19CKKK10012512751	Remove and reinstall automatic HVAC assy	30
		Ex:T19CKKK47020112201	Drain and fill refrigerant R134a	50
		Ex:T19CKKK10018122751	Remove and reinstall instrument panel body assy	200
		Ex:T19CKKK10019352701	Remove and reinstall Auxiliary dashboard assy	60
23	301001438AA	T19CKKK10014382761	Remove and reinstall guide plate	20
		Ex:T19CKKK20027772701	Remove and reinstall FR bumper UPR body	50
24	301001435AA	T19CKKK10014352751	Remove and reinstall evaporator temperature sensor	0
		Ex:T19CKKK10015412751	Remove and reinstall evaporator core assy	40
		Ex:T19CKKK10012512751	Remove and reinstall automatic HVAC assy	30
		Ex:T19CKKK47020112201	Drain and fill refrigerant R134a	50
		Ex:T19CKKK10018122751	Remove and reinstall instrument panel body assy	200
		Ex:T19CKKK10019352701	Remove and reinstall Auxiliary dashboard assy	60
25	301001645AA	T19CKKK10016452751	Remove and reinstall AIR VALVE-TEMPERATURE CONTROL	30
		Ex:T19CKKK10012512751	Remove and reinstall automatic HVAC assy	30
		Ex:T19CKKK47020112201	Drain and fill refrigerant R134a	50
		Ex:T19CKKK10018122751	Remove and reinstall instrument panel body assy	200
		Ex:T19CKKK10019352701	Remove and reinstall Auxiliary dashboard assy	60



T19060050

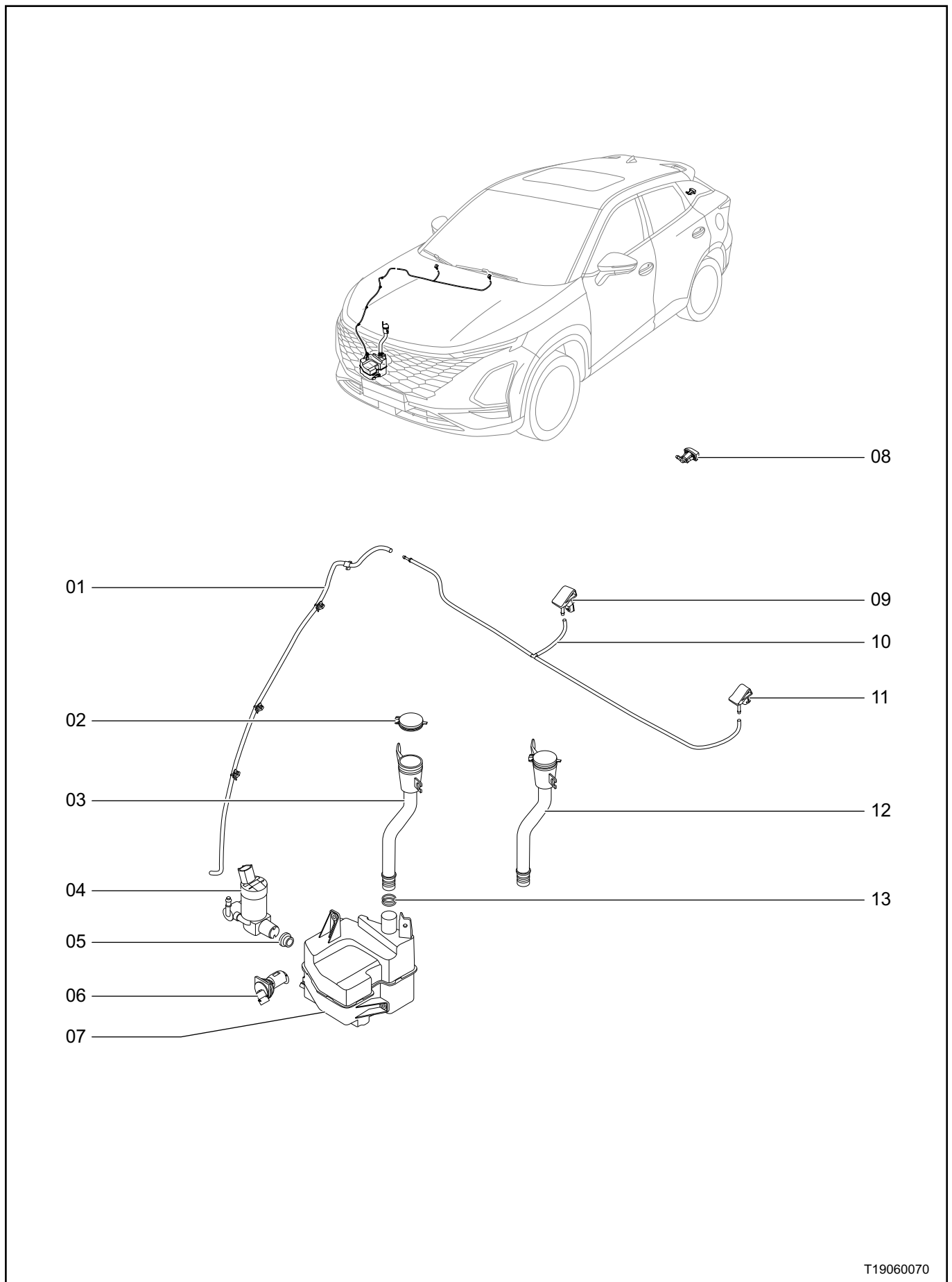
No.	Part No.	Station No.	Station Name	Labour Time
01	407000271AA	T19CKKK70002712751	Remove and reinstall airbag controller assy	20
		Ex:T19CKKK10019352701	Remove and reinstall Auxiliary dashboard assy	60
02	407000298AA	T19CKKK70002982701	Remove and reinstall Copilot airbag switch	20
03	407000276AA	T19CKKK70002762751	Remove and reinstall side collision sensor assy LH	10
		Ex:T19CKKK60003192751	Remove and reinstall FR seat belt assy LH	30
		Ex:T19CKKK30050102751	Remove and reinstall Pillar B UPR protector assy LH	10
		Ex:T19CKKK30041402701	Remove and reinstall Pillar B LWR protector assy LH	20
		T19CKKK70002762761	Remove and reinstall side collision sensor assy RH	10
		Ex:T19CKKK60003202751	Remove and reinstall FR seat belt assy RH	30
		Ex:T19CKKK30050112751	Remove and reinstall pillar B UPR protector assy RH	10
Ex:T19CKKK30041412701	Remove and reinstall B-pillar LWR protector assy RH	20		



T19060060

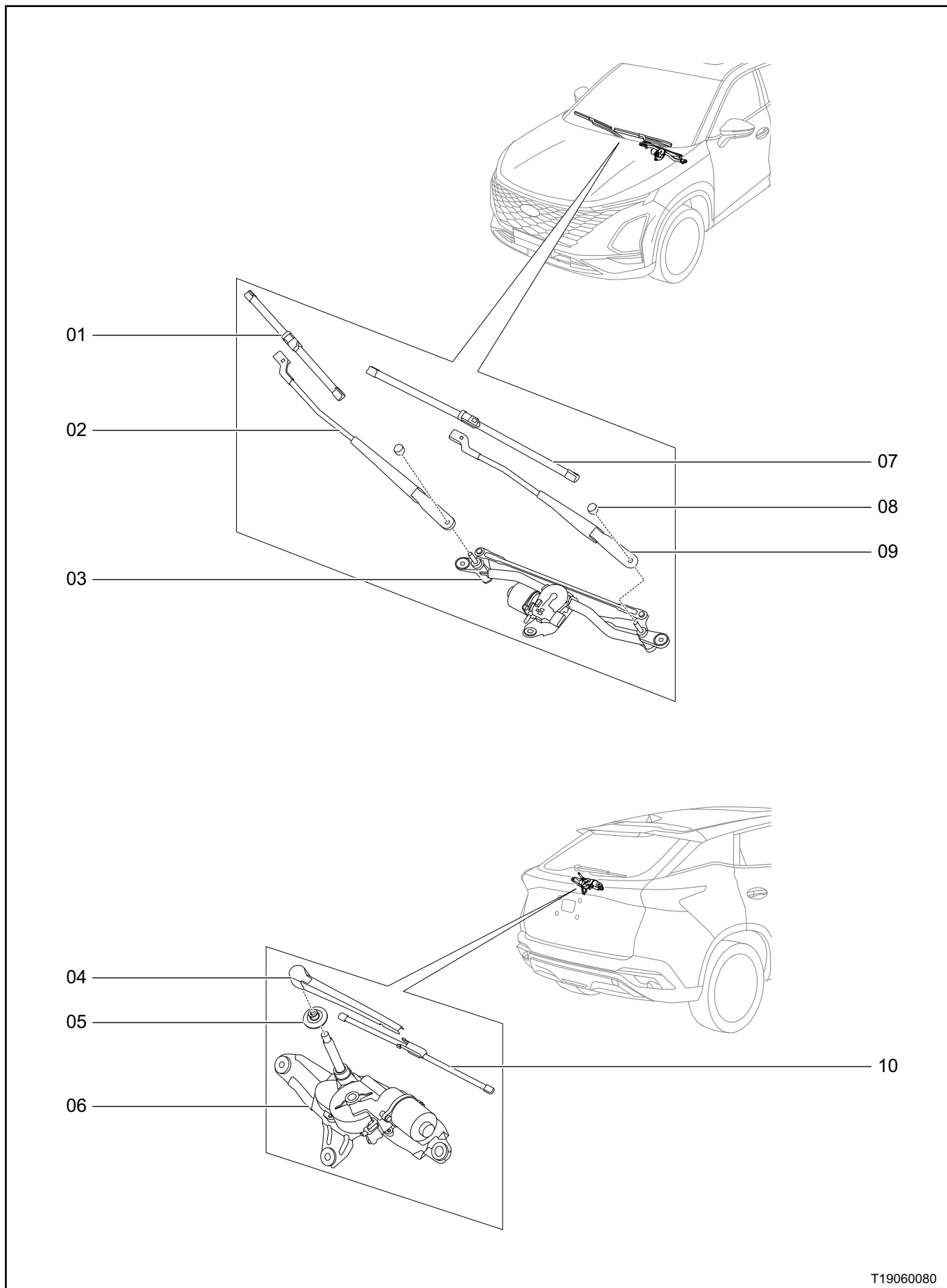
No.	Part No.	Station No.	Station Name	Labour Time
01	T15-4423030	T19CKKK44230302701	Remove and reinstall Cosmetic mirror lamp	20
02	605000612AA	T19CKKK50006122701	Remove and reinstall FR INR dome light assy	20
	605000611AA	T19CKKK50006112701	Remove and reinstall FR INR dome light assy	20
03	605000726AA	T19CKKK50007262751	Remove and reinstall right front signal light assy	20
		Ex:T19CKKK20027772701	Remove and reinstall FR bumper UPR body	50
04	605000531AA	T19CKKK50005312751	Remove and reinstall headlight assy RH	20
		Ex:T19CKKK20027772701	Remove and reinstall FR bumper UPR body	50
	605000606AA	T19CKKK50006062751	Remove and reinstall headlight assy RH	20
		Ex:T19CKKK20027772701	Remove and reinstall FR bumper UPR body	50
05	605000725AA	T19CKKK50007252751	Remove and reinstall left front signal light assy	20
		Ex:T19CKKK20027772701	Remove and reinstall FR bumper UPR body	50
	605000555AA	T19CKKK50005552751	Remove and reinstall left front signal light assy	20
		Ex:T19CKKK20027772701	Remove and reinstall FR bumper UPR body	50
06	605000530AA	T19CKKK50005302751	Remove and reinstall headlight assy LH	20
		Ex:T19CKKK20027772701	Remove and reinstall FR bumper UPR body	50
	605000605AA	T19CKKK50006052751	Remove and reinstall headlight assy LH	20
		Ex:T19CKKK20027772701	Remove and reinstall FR bumper UPR body	50
	605000556AA	T19CKKK50005562751	Remove and reinstall right front signal light assy	20
		Ex:T19CKKK20027772701	Remove and reinstall FR bumper UPR body	50
07	605000745AA	T19CKKK50007452701	Remove and reinstall RR INR dome light assy	20
08	605000722AA	T19CKKK50007222751	Remove and reinstall RR combination light (fixed) assy LH	20
		Ex:T19CKKK20026492701	Remove and reinstall RR bumper LWR body	50
09	605000724AA	T19CKKK50007242751	Remove and reinstall rear door taillight assy	10
		Ex:T19CKKK30041132751	Remove and reinstall Back door LWR protector assy	20
		Ex:T19CKKK30041122701	Remove and reinstall back door protector assy RH	20
		Ex:T19CKKK30041112701	Remove and reinstall Back door protector assy LH	20
10	605000590AA	T19CKKK50005902751	Remove and reinstall Left rear rebound reflector	10
		Ex:T19CKKK20026492701	Remove and reinstall RR bumper LWR body	50
11	605000193AA	T19CKKK50001932701	Remove and reinstall license plate lamp assy	20
12	605000616AA	T19CKKK50006162701	Remove and reinstall RR fog light assy	20
13	M11-3714030	T19CKKK37140302701	Remove and reinstall luggage compartment light assy	20
14	605000366AA	T19CKKK50003662751	Remove and reinstall high mounted brake lamp assy	20

No.	Part No.	Station No.	Station Name	Labour Time
		Ex:T19CKKK90011802751	Remove and reinstall spoiler assy	40
		Ex:T19CKKK30041132751	Remove and reinstall Back door LWR protector assy	20
		Ex:T19CKKK30041122701	Remove and reinstall back door protector assy RH	20
		Ex:T19CKKK30041112701	Remove and reinstall Back door protector assy LH	20
15	605000723AA	T19CKKK50007232751	Remove and reinstall RR combination light (fixed) assy RH	20
		Ex:T19CKKK20026492701	Remove and reinstall RR bumper LWR body	50
16	605000591AA	T19CKKK50005912751	Remove and reinstall Rear right rebound reflector	10
		Ex:T19CKKK20026492701	Remove and reinstall RR bumper LWR body	50



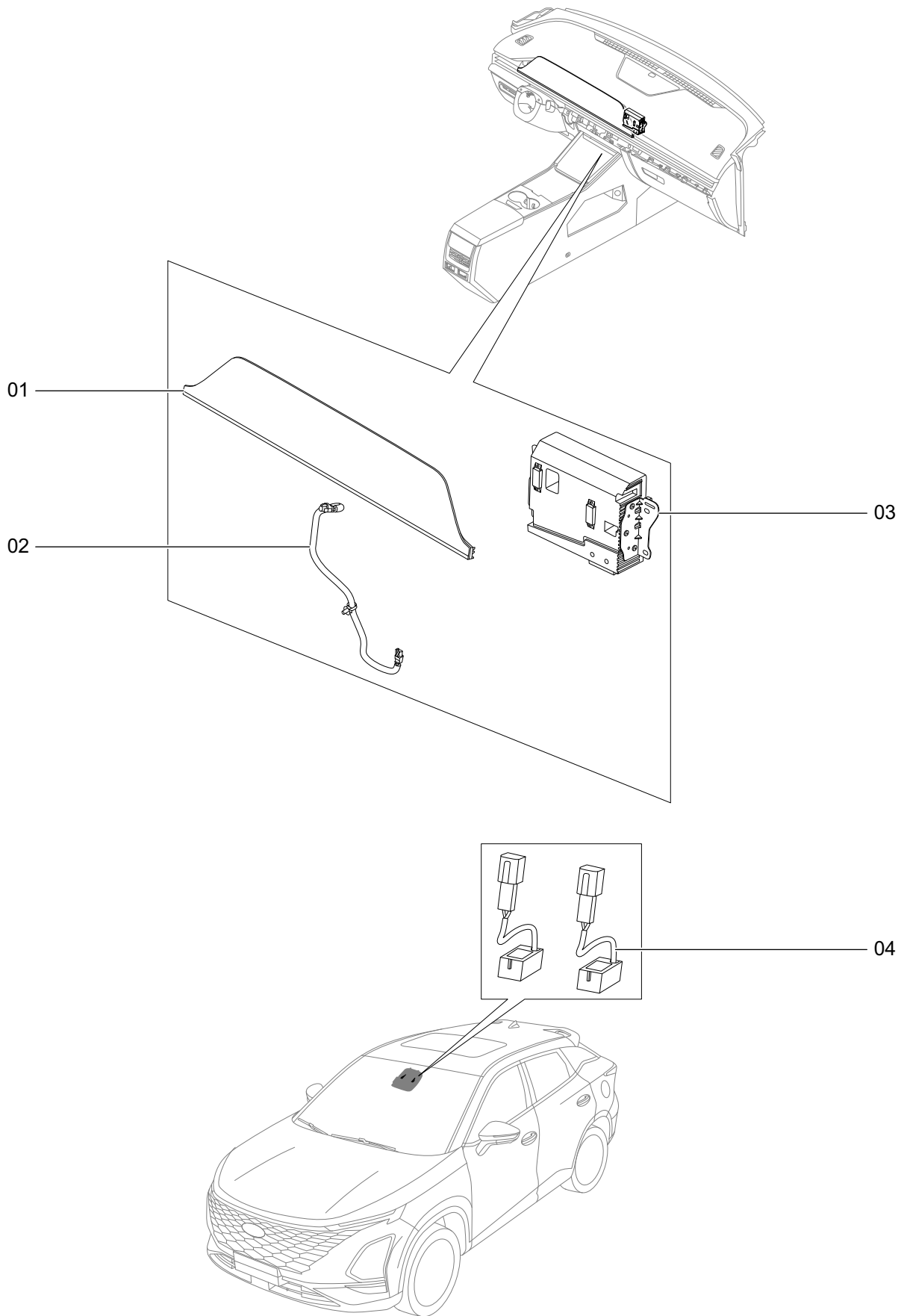
T19060070

No.	Part No.	Station No.	Station Name	Labour Time
01	607000127AA	T19CKKK70001272751	Remove and reinstall Washing liquid tank pipeline 1	20
		Ex:T19CKKK20016912751	Remove and reinstall FR wheel house protector assy RH	30
		Ex:T19CKKK90011772701	Remove and reinstall FR wheel arch trim assy RH	10
02	607000099AA	T19CKKK70000992701	Remove and reinstall guide pipe cover	10
03	607000126AA	T19CKKK70001262701	Remove and reinstall washer fluid reservoir guide pipe	20
04	607000018AA	T19CKKK70000182701	Remove and reinstall Washer pump	50
05	607000011AA	T19CKKK70000112751	Remove and reinstall washer pump seal ring	10
		Ex:T19CKKK70000182701	Remove and reinstall Washer pump	50
06	607000142AA	T19CKKK70001422751	Remove and install liquid level sensor	20
		Ex:T19CKKK70001232751	Remove and reinstall Washing liquid tank assembly	10
		Ex:T19CKKK20027772701	Remove and reinstall FR bumper UPR body	50
07	607000123AA	T19CKKK70001232751	Remove and reinstall Washing liquid tank assembly	10
		Ex:T19CKKK20027772701	Remove and reinstall FR bumper UPR body	50
	607000138AA	T19CKKK70001382751	Remove and reinstall Washing liquid tank assembly	10
		Ex:T19CKKK20027772701	Remove and reinstall FR bumper UPR body	50
08	M12-5207190	T19CKKK52071902751	Remove and reinstall RR nozzle assy	20
		Ex:T19CKKK90011802751	Remove and reinstall spoiler assy	40
		Ex:T19CKKK30041132751	Remove and reinstall Back door LWR protector assy	20
		Ex:T19CKKK30041122701	Remove and reinstall back door protector assy RH	20
		Ex:T19CKKK30041112701	Remove and reinstall Back door protector assy LH	20
09	607000048AA	T19CKKK70000482701	Remove and reinstall Nozzle	20
10	J68-5207133	T19CKKK52071332751	Remove and reinstall line 2	20
		Ex:T19CKKK90011922701	Remove and reinstall FR windshield LWR trim panel assy	40
11	607000140AA	T19CKKK70001402751	Remove and reinstall nozzle	10
		Ex:T19CKKK90011922701	Remove and reinstall FR windshield LWR trim panel assy	40
12	607000125AA	T19CKKK70001252701	Remove and reinstall Washing liquid irrigation guide pipe assembly	20
13	607000111AA	T19CKKK70001112751	Remove and reinstall guide pipe seal ring	0
		Ex:T19CKKK70001252701	Remove and reinstall Washing liquid irrigation guide pipe assembly	20



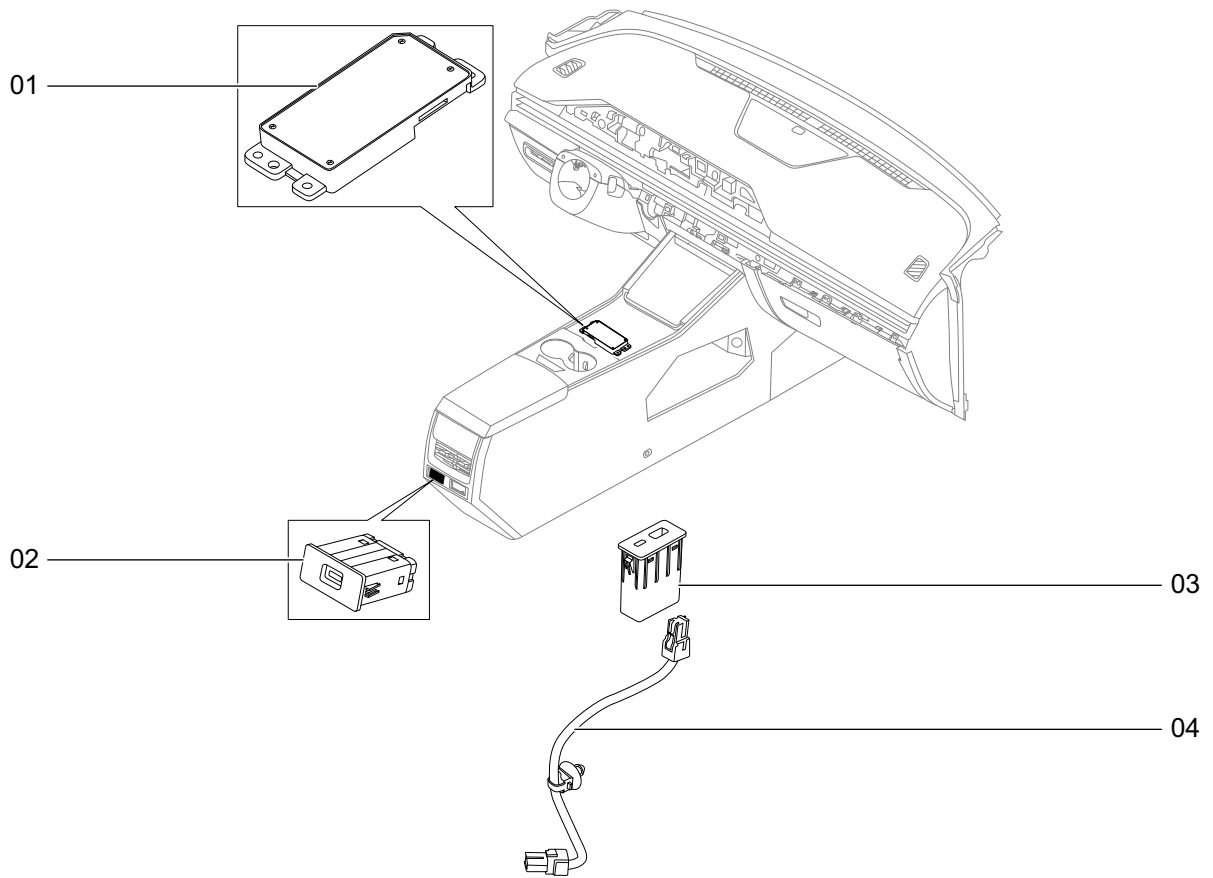
T19060080

No.	Part No.	Station No.	Station Name	Labour Time
01	608000184AA	T19CKKK80001842701	Remove and reinstall sub blade	10
02	608000183AA	T19CKKK80001832701	Remove and reinstall sub wiper arm	20
03	608000187AA	T19CKKK80001872751	Remove and reinstall Motor and link assy	20
		Ex:T19CKKK90011922701	Remove and reinstall FR windshield LWR trim panel assy	40
04	608000221AA	T19CKKK80002212701	Remove and reinstall RR wiper arm	20
05	608000019AA	T19CKKK80000192751	Remove and reinstall rubber ring	0
		Ex:T19CKKK80002212701	Remove and reinstall RR wiper arm	20
06	608000190AA	T19CKKK80001902751	Remove and reinstall RR wiper motor assy	20
		Ex:T19CKKK30041132751	Remove and reinstall Back door LWR protector assy	20
		Ex:T19CKKK30041122701	Remove and reinstall back door protector assy RH	20
		Ex:T19CKKK30041112701	Remove and reinstall Back door protector assy LH	20
07	608000186AA	T19CKKK80001862701	Remove and reinstall Main wiper blade	10
08	608000188AA	T19CKKK80001882701	Remove and reinstall Trim cap	10
09	608000185AA	T19CKKK80001852701	Remove and reinstall Main wiper arm	20
10	608000222AA	T19CKKK80002222701	Remove and reinstall RR wiper blade	10



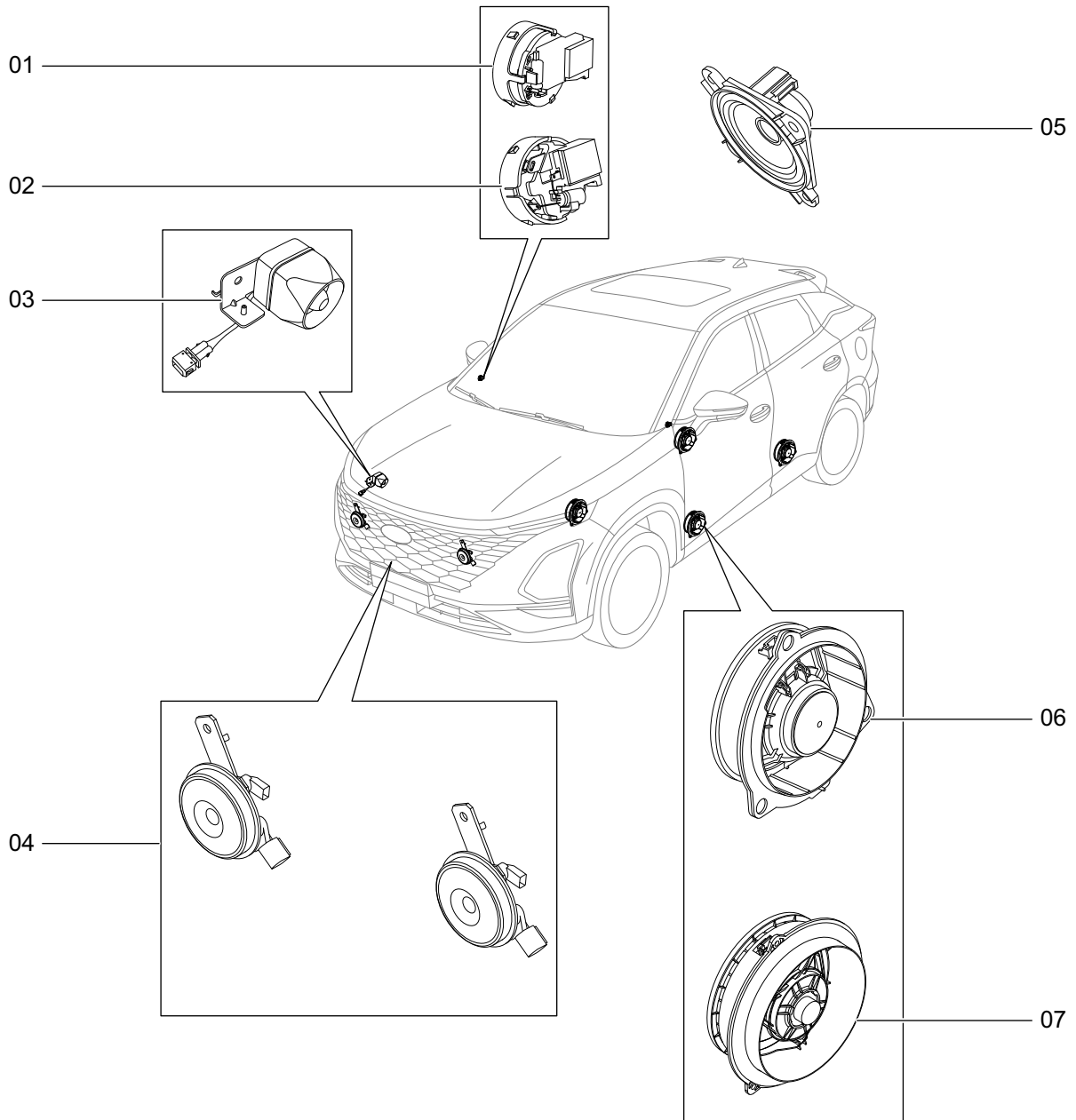
T19060090

No.	Part No.	Station No.	Station Name	Labour Time
01	701000158AA	T19CKKK10001582701	Remove and reinstall instrument cluste	20
02	703000637AA	T19CKKK30006372751	Remove and reinstall display connecting wire	10
		Ex:T19CKKK10019352701	Remove and reinstall Auxiliary dashboard assy	60
03	703000649AA	T19CKKK30006492751	Remove and reinstall No Disc DVD	20
		Ex:T19CKKK10018122751	Remove and reinstall instrument panel body assy	200
		Ex:T19CKKK10019352701	Remove and reinstall Auxiliary dashboard assy	60
	703000647AA	T19CKKK30006472751	Remove and reinstall No disc navigation	20
		Ex:T19CKKK10018122751	Remove and reinstall instrument panel body assy	200
		Ex:T19CKKK10019352701	Remove and reinstall Auxiliary dashboard assy	60
04	703000404AA	T19CKKK30004042751	Remove and reinstall microphone	10
		Ex:T19CKKK50006122701	Remove and reinstall FR INR dome light assy	20



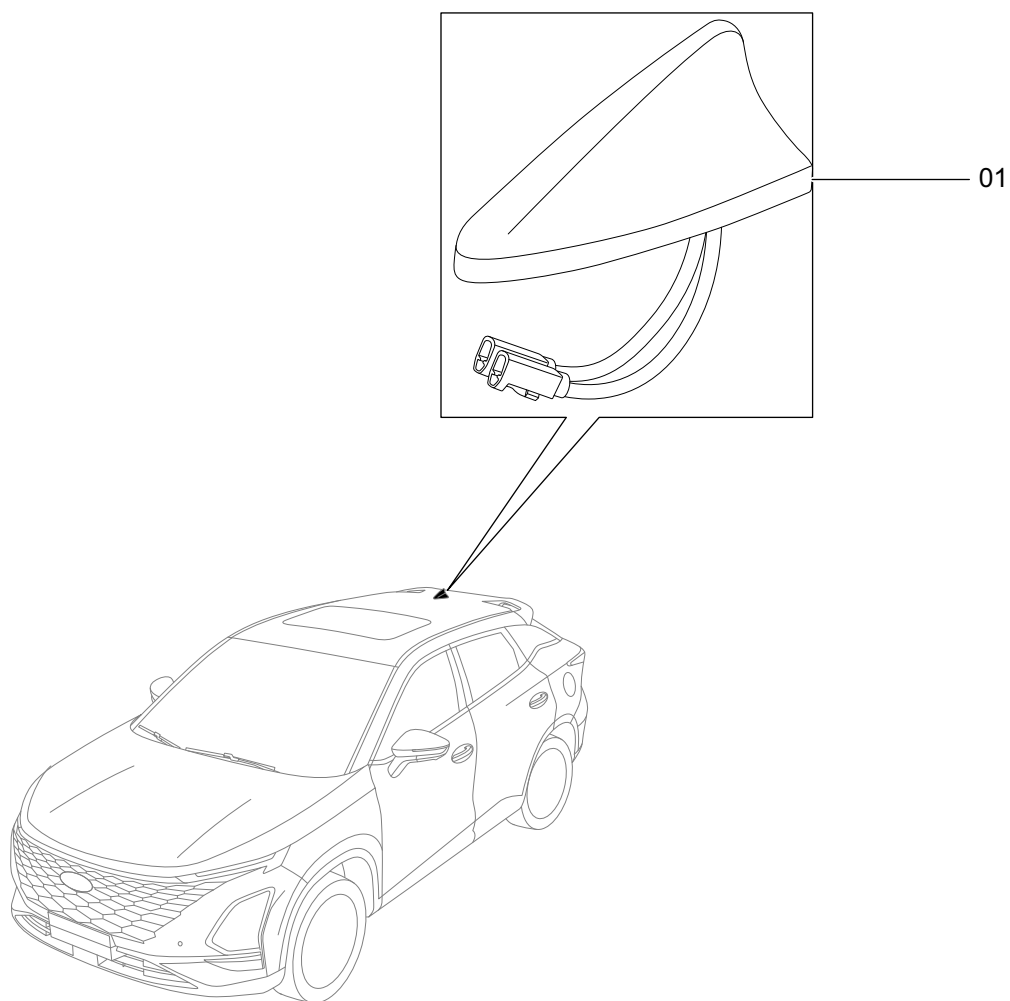
T19060100

No.	Part No.	Station No.	Station Name	Labour Time
01	802000180AA	T19CKKK20001802751	Remove and reinstall Cellphone wireless charger	20
		Ex:T19CKKK10019352701	Remove and reinstall Auxiliary dashboard assy	60
02	703000140AA	T19CKKK30001402751	Remove and reinstall USB charging module	10
		Ex:T19CKKK10018472701	Remove and reinstall Auxiliary fascia console RR panel assy	10
	703000542AA	T19CKKK30005422751	Remove and reinstall USB charging module	10
		Ex:T19CKKK10018472701	Remove and reinstall Auxiliary fascia console RR panel assy	10
03	703000724AA	T19CKKK30007242751	Remove and reinstall USB charging module	10
		Ex:T19CKKK10018472701	Remove and reinstall Auxiliary fascia console RR panel assy	10
04	703000863AA	T19CKKK30008632751	Remove and reinstall USB connecting wire	20
		Ex:T19CKKK10019352701	Remove and reinstall Auxiliary dashboard assy	60



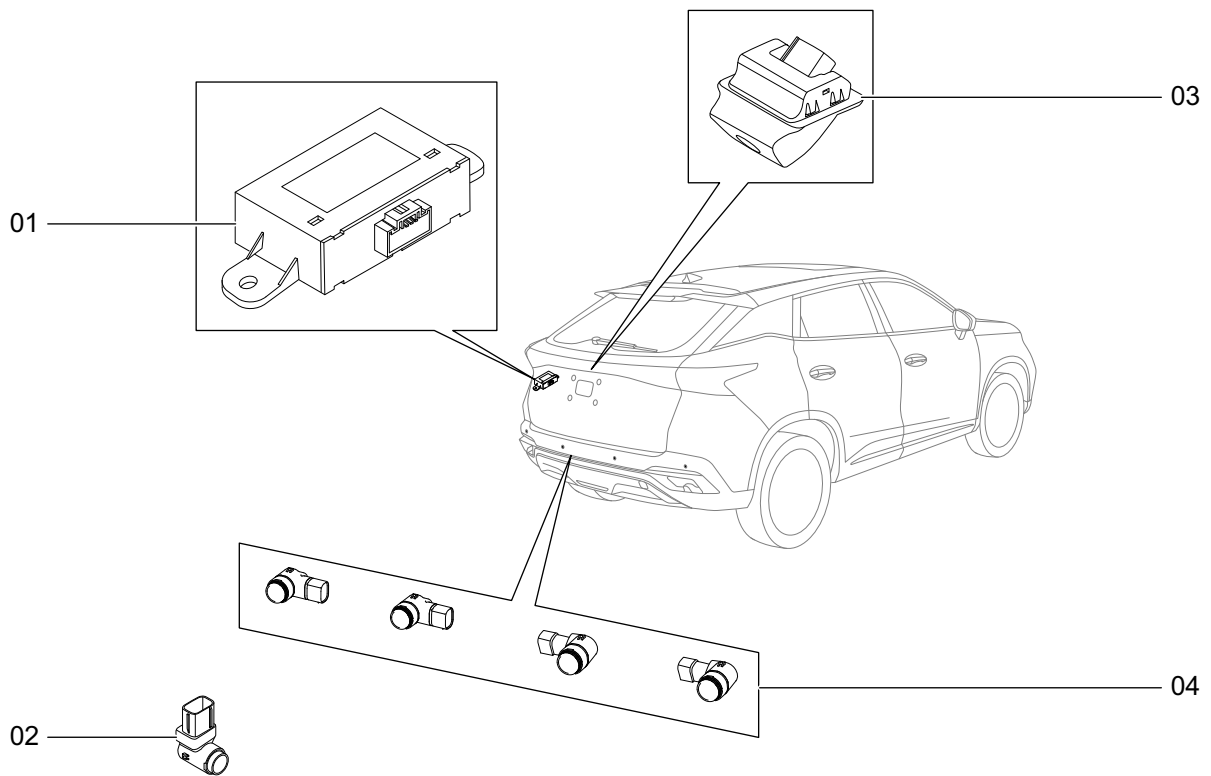
T19060110

No.	Part No.	Station No.	Station Name	Labour Time
01	T15-7909011	T19CKKK79090112751	Remove and reinstall Tweeter LH	10
		Ex:T19CKKK30050082701	Remove and reinstall pillar A UPR protector assy LH	20
		T19CKKK79090112761	Remove and reinstall tweeter RH	10
		Ex:T19CKKK30050092701	Remove and reinstall Pillar A UPR protector assy RH	20
02	703000408AA	T19CKKK30004082751	Remove and reinstall Tweeter LH	10
		Ex:T19CKKK30050082701	Remove and reinstall pillar A UPR protector assy LH	20
		T19CKKK30004082761	Remove and reinstall tweeter RH	10
		Ex:T19CKKK30050092701	Remove and reinstall Pillar A UPR protector assy RH	20
03	803000052AA	T19CKKK30000522751	Remove and reinstall anti-theft horn	10
		Ex:T19CKKK20027772701	Remove and reinstall FR bumper UPR body	50
04	803000086AA	T19CKKK30000862751	Remove and reinstall Medium speaker assembly	10
		Ex:T19CKKK20027772701	Remove and reinstall FR bumper UPR body	50
05	J52-7909013	T19CKKK79090132751	Remove and reinstall MD tone speaker	10
		Ex:T19CKKK10018262701	Remove and reinstall LWR protector assy LH	20
06	703000407AA	T19CKKK30004072751	Remove and reinstall woofer LH	10
		Ex:T19CKKK30053562701	Remove and reinstall FR door protector with switch assy LH	40
		T19CKKK30004072761	Remove and reinstall woofer RH	10
		Ex:T19CKKK30053572701	Remove and reinstall FR door protector with switch assy RH	40
07	703000296AA	T19CKKK30002962751	Remove and reinstall woofer LH	10
		Ex:T19CKKK30053562701	Remove and reinstall FR door protector with switch assy LH	40
		T19CKKK30002962761	Remove and reinstall woofer RH	10
		Ex:T19CKKK30053572701	Remove and reinstall FR door protector with switch assy RH	40



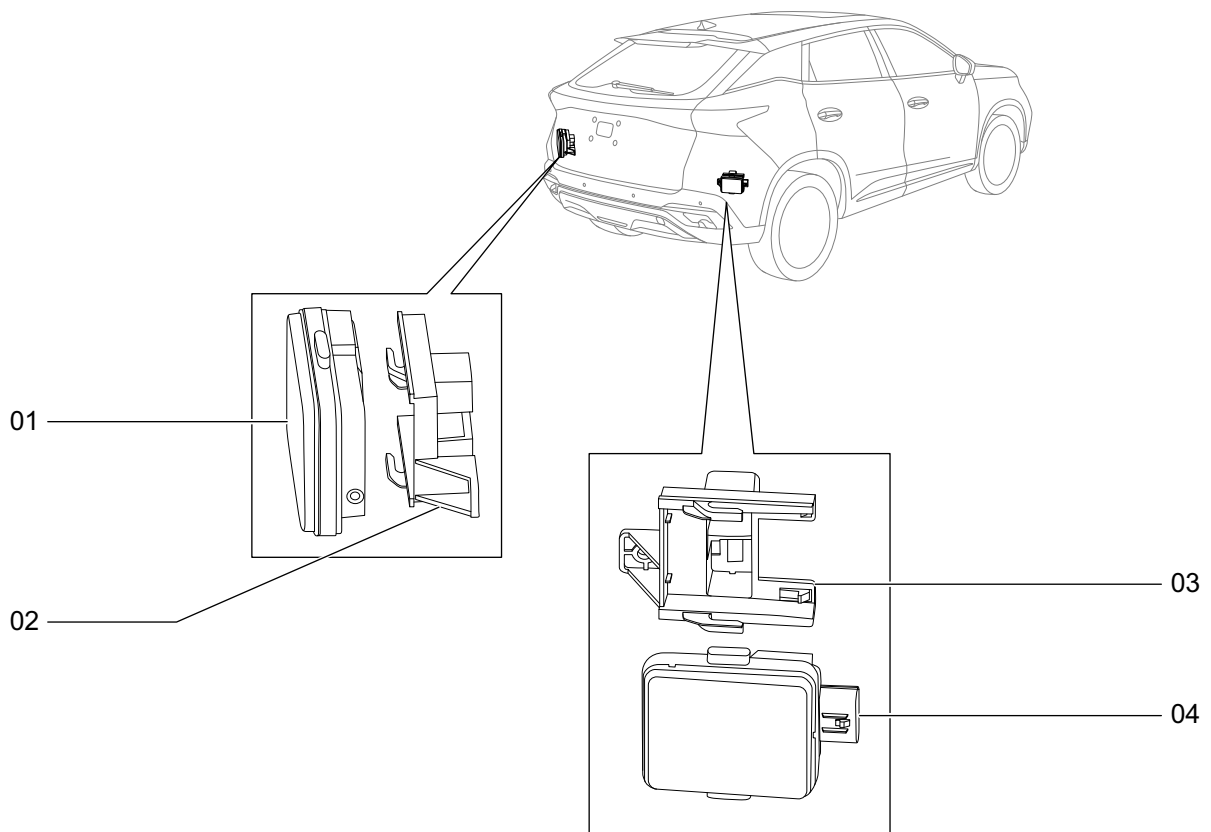
T19060120

No.	Part No.	Station No.	Station Name	Labour Time
01	703000679AAABW	T19CKKK30006792701	Remove and reinstall New khaki white shark fin combination antenna	50



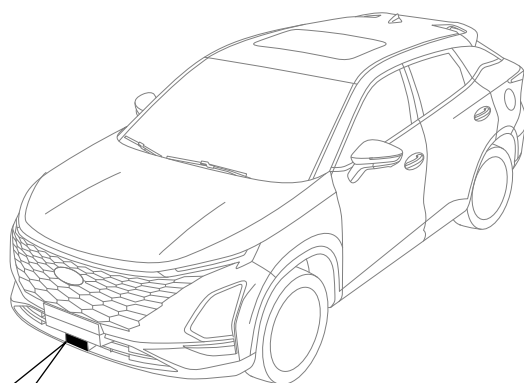
T19060130

No.	Part No.	Station No.	Station Name	Labour Time
01	704000161AA	T19CKKK40001612751	Remove and reinstall radar control module assy	20
		Ex:T19CKKK30041442751	Remove and reinstall Pillar C LWR protector assy LH	20
		Ex:T19CKKK20037052711	Remove and reinstall RR seat belt buckle assy LH	30
02	704000334AAACE	T19CKKK40003342751	Remove and reinstall Hui Ink black no host radar	10
		Ex:T19CKKK20027772701	Remove and reinstall FR bumper UPR body	50
03	704000422AA	T19CKKK40004222751	Remove and reinstall camera	20
		Ex:T19CKKK30041132751	Remove and reinstall Back door LWR protector assy	20
		Ex:T19CKKK30041122701	Remove and reinstall back door protector assy RH	20
		Ex:T19CKKK30041112701	Remove and reinstall Back door protector assy LH	20
04	704000156AAABW	T19CKKK40001562751	Remove and reinstall probe (new khaki white)	10
		Ex:T19CKKK20027772701	Remove and reinstall FR bumper UPR body	50

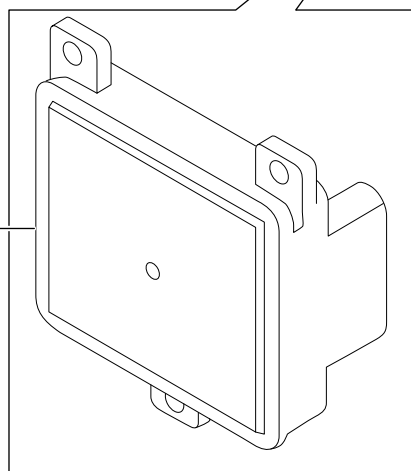


T19060140

No.	Part No.	Station No.	Station Name	Labour Time
01	704000483AA	T19CKKK40004832751	Remove and reinstall main blind spot monitor radar	20
		Ex:T19CKKK20026492701	Remove and reinstall RR bumper LWR body	50
02	704000521AA	T19CKKK40005212751	Remove and reinstall Main blind spot monitor radar bracket	10
		Ex:T19CKKK40004832751	Remove and reinstall main blind spot monitor radar	20
		Ex:T19CKKK20026492701	Remove and reinstall RR bumper LWR body	50
03	704000522AA	T19CKKK40005222751	Remove and reinstall Auxiliary blind spot monitor radar bracket	10
		Ex:T19CKKK40004842751	Remove and reinstall Auxiliary blind spot monitor radar	20
		Ex:T19CKKK20026492701	Remove and reinstall RR bumper LWR body	50
04	704000484AA	T19CKKK40004842751	Remove and reinstall Auxiliary blind spot monitor radar	20
		Ex:T19CKKK20026492701	Remove and reinstall RR bumper LWR body	50

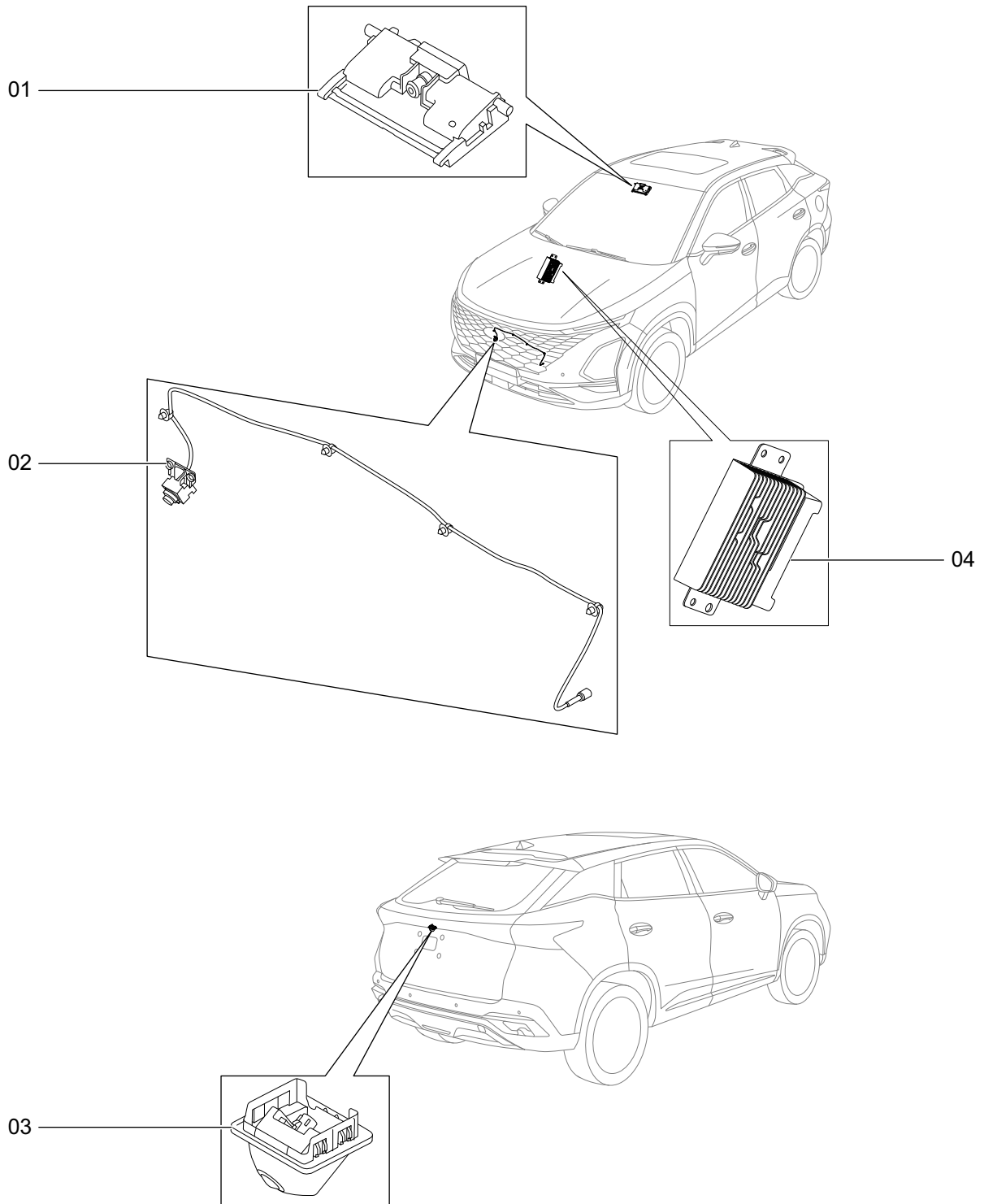


01



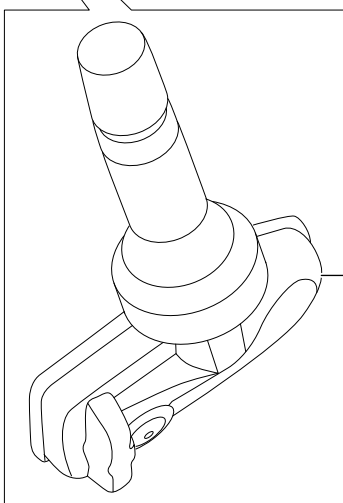
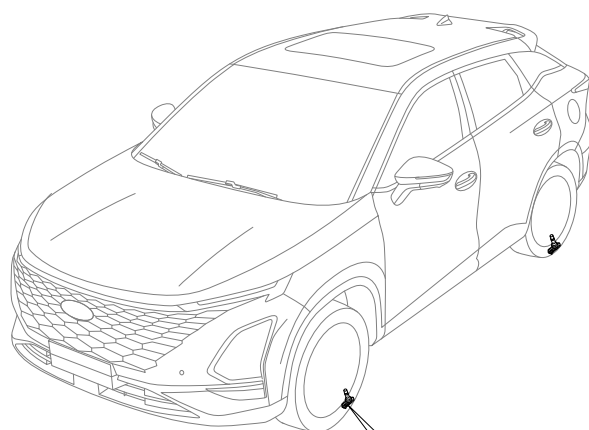
T19060150

No.	Part No.	Station No.	Station Name	Labour Time
01	704000454AA	T19CKKK40004542751	Remove and reinstall microwave radar	10
		Ex:T19CKKK20027772701	Remove and reinstall FR bumper UPR body	50



T19060160

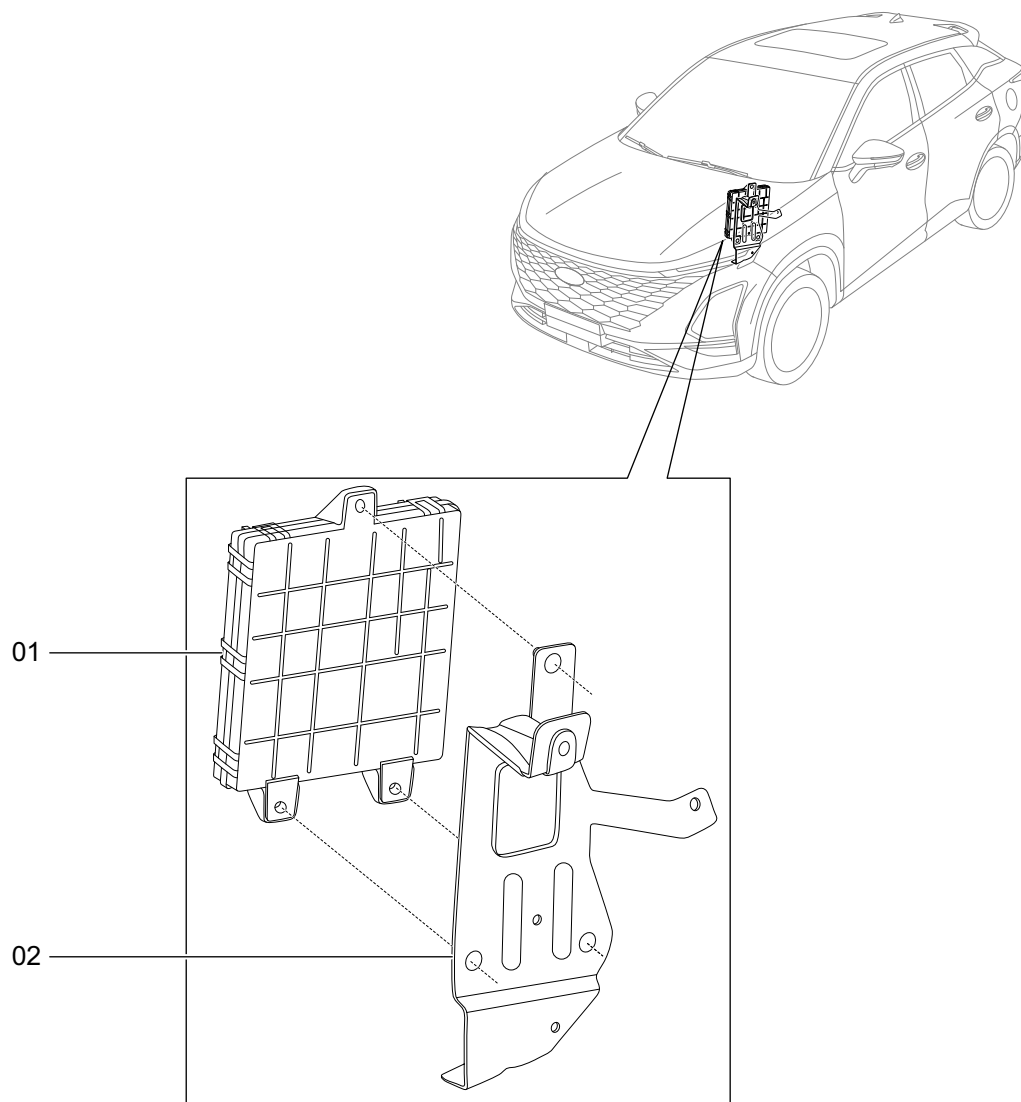
No.	Part No.	Station No.	Station Name	Labour Time
01	704000453AA	T19CKKK40004532701	Remove and reinstall multi-function FR view camera	50
02	704000513AA	T19CKKK40005132751	Remove and reinstall FR camera	20
		Ex:T19CKKK20027772701	Remove and reinstall FR bumper UPR body	50
03	704000514AA	T19CKKK40005142751	Remove and reinstall RR camera	20
		Ex:T19CKKK30041132751	Remove and reinstall Back door LWR protector assy	20
		Ex:T19CKKK30041122701	Remove and reinstall back door protector assy RH	20
		Ex:T19CKKK30041112701	Remove and reinstall Back door protector assy LH	20
04	704000515AA	T19CKKK40005152751	Remove and reinstall panoramic image controller	20
		Ex:T19CKKK10018282701	Remove and reinstall glove box assy	20



01

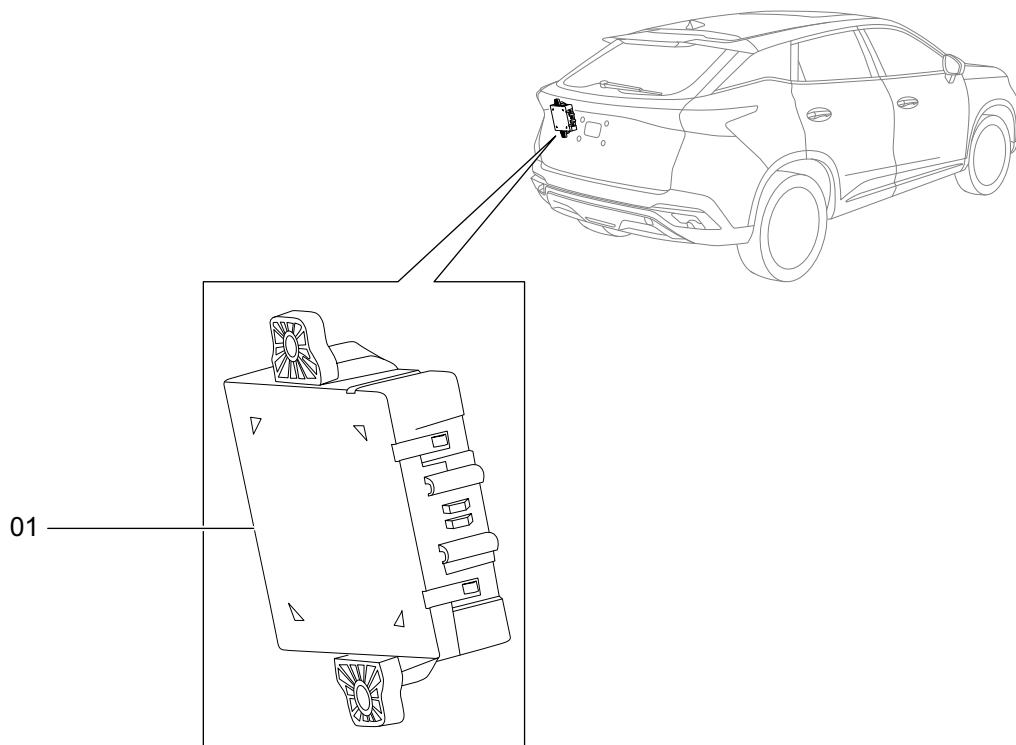
T19060170

No.	Part No.	Station No.	Station Name	Labour Time
01	802000277AA	T19CKKK20002772751	Remove and reinstall 1 tire pressure sensor	10
		Ex:T19CKKK30004502751	Remove and reinstall 1 aluminum wheel assy	20
		Ex:T19CKKK30004492701	Remove and reinstall 1 tire assy	20
		T19CKKK20002772752	Remove and reinstall 2 tire pressure sensors	10
		Ex:T19CKKK30004502752	Remove and reinstall 2 aluminum wheel assys	30
		Ex:T19CKKK30004492702	Remove and reinstall 2 Tire assy	30
		T19CKKK20002772753	Remove and reinstall 3 tire pressure sensors	10
		Ex:T19CKKK30004502753	Remove and reinstall 3 aluminum wheel assy	40
		Ex:T19CKKK30004492703	Remove and reinstall 3 tire assy	40
		T19CKKK20002772754	Remove and reinstall 4 tire pressure sensors	10
		Ex:T19CKKK30004502754	Remove and reinstall 4 aluminum wheel assys	50
		Ex:T19CKKK30004492704	Remove and reinstall 4 tire assy	50



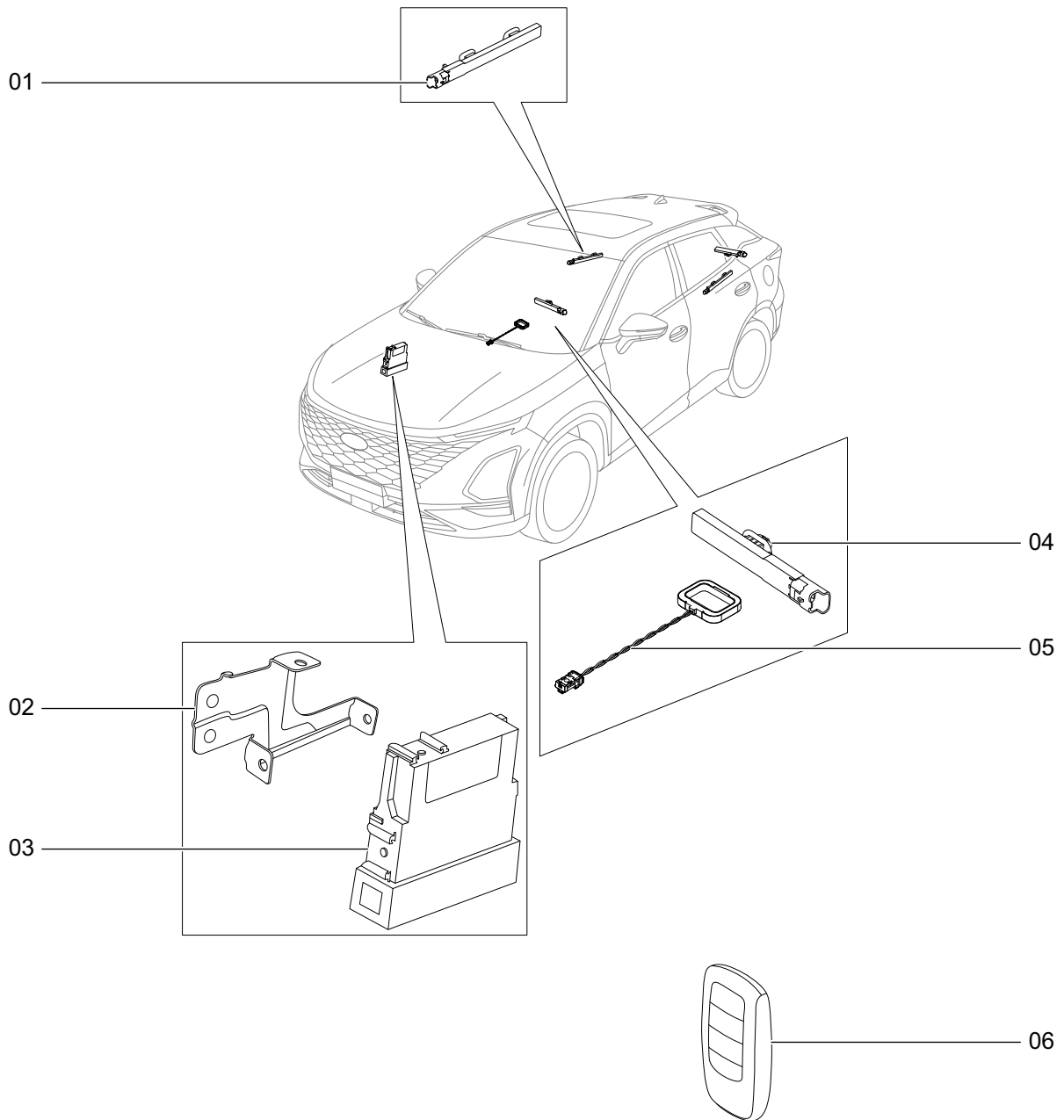
T19060180

No.	Part No.	Station No.	Station Name	Labour Time
01	802000208AA	T19CKKK20002082751	Remove and reinstall BCM	30
		Ex:T19CKKK10018262701	Remove and reinstall LWR protector assy LH	20
02	802000243AA	T19CKKK20002432751	Remove and reinstall body controller bracket	10
		Ex:T19CKKK20002082751	Remove and reinstall BCM	30
		Ex:T19CKKK10018262701	Remove and reinstall LWR protector assy LH	20



T19060190

No.	Part No.	Station No.	Station Name	Labour Time
01	802000237AA	T19CKKK20002372751	Remove and reinstall power back door module	10
		Ex:T19CKKK30041442751	Remove and reinstall Pillar C LWR protector assy LH	20
		Ex:T19CKKK20037052711	Remove and reinstall RR seat belt buckle assy LH	30

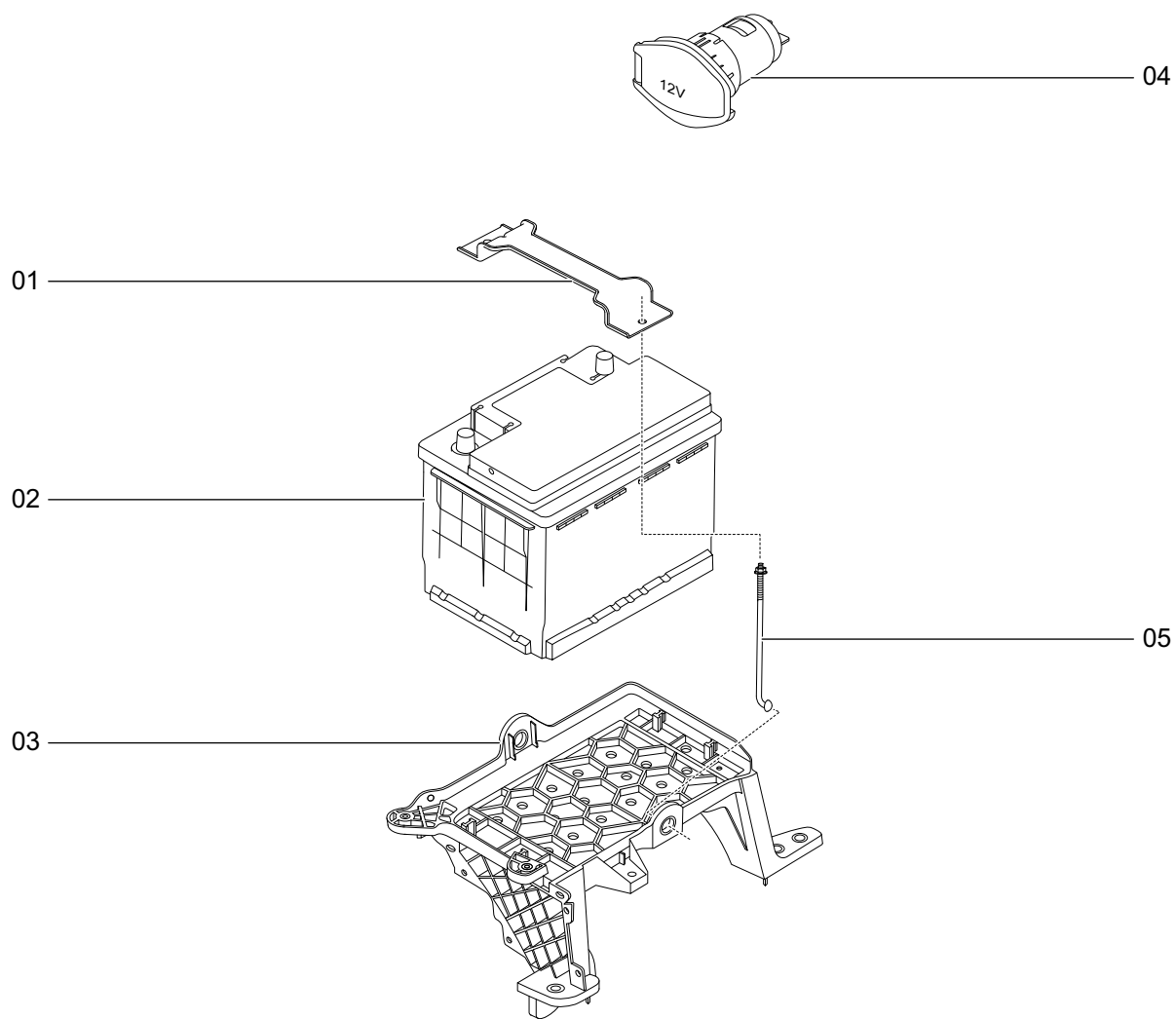


T19060200

No.	Part No.	Station No.	Station Name	Labour Time
01	804000092AA	T19CKKK40000922721	Remove and reinstall high performance and low frequency antenna (FR door LH)	20
		Ex:T19CKKK30053462701	Remove and reinstall RR door protector with switch assy LH	40
		T19CKKK40000922761	Remove and reinstall high performance low FRequency antenna (rear right door)	20
		Ex:T19CKKK30053472701	Remove and reinstall RR door protector with switch assy RH	40
02	804000227AA	T19CKKK40002272751	Remove and reinstall passive entry and start controller bracket	10
		Ex:T19CKKK40001352751	Remove and reinstall Passive entry and start controller	30
		Ex:T19CKKK10018282701	Remove and reinstall glove box assy	20
03	804000135AA	T19CKKK40001352751	Remove and reinstall Passive entry and start controller	30
		Ex:T19CKKK10018282701	Remove and reinstall glove box assy	20
04	804000091AA	T19CKKK40000912721	Remove and reinstall Low frequency antenna (auxiliary fascia console body)	10
		Ex:T19CKKK10019352701	Remove and reinstall Auxiliary dashboard assy	60
		T19CKKK40000912761	Remove and reinstall Low frequency antenna (RR bumper)	10
		Ex:T19CKKK20026492701	Remove and reinstall RR bumper LWR body	50
05	804000093AA	T19CKKK40000932751	Remove and reinstall Immobilizer coil	10
		Ex:T19CKKK10019352701	Remove and reinstall Auxiliary dashboard assy	60
06	804000139AB	T19CKKK40001393701	Replace Remote controller (including matching)	30
	804000244AA	T19CKKK40002443701	Replace Remote controller (including matching)	30

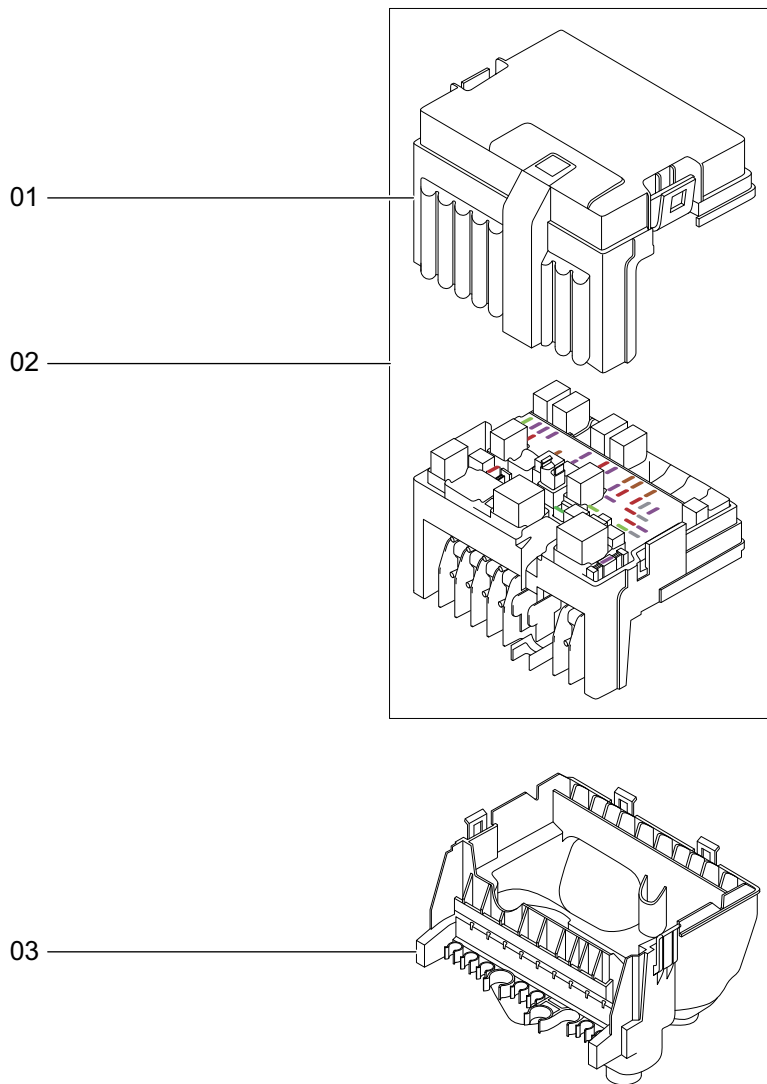
No.	Part No.	Station No.	Station Name	Labour Time
01	806001969AA	T19CKKK60019692701	Remove and reinstall Battery negative wire harness assy	20
02	806003999AA	T19CKKK60039992701	Remove and reinstall battery positive wire harness	40
03	806002864AA	T19CKKK60028642751	Remove and reinstall ground wire harness assy	10
		Ex:T19CKKK11091102701	Remove and reinstall air filter assy	30
04	806006848AA	T19CKKK60068482751	Remove and reinstall Wiring harness-FR Probe	20
		Ex:T19CKKK20027772701	Remove and reinstall FR bumper UPR body	50
05	806003926AA	T19CKKK60039262701	Remove and reinstall engine electronic wire harness assy	100
	806005565AA	T19CKKK60055652701	Remove and reinstall engine electronic wire harness assy	100
06	806005211AA	T19CKKK60052112751	Remove and reinstall back door wire harness RH	10
		Ex:T19CKKK30041132751	Remove and reinstall Back door LWR protector assy	20
		Ex:T19CKKK30041122701	Remove and reinstall back door protector assy RH	20
		Ex:T19CKKK30041112701	Remove and reinstall Back door protector assy LH	20
07	806003996AA	T19CKKK60039962751	Remove and reinstall RR bumper wire harness	20
		Ex:T19CKKK20026492701	Remove and reinstall RR bumper LWR body	50
	806006852AA	T19CKKK60068522751	Remove and reinstall RR bumper wire harness	20
		Ex:T19CKKK20026492701	Remove and reinstall RR bumper LWR body	50
08	806003992AA	T19CKKK60039922751	Remove and reinstall FR door wire harness RH	20
		Ex:T19CKKK30053572701	Remove and reinstall FR door protector with switch assy RH	40
09	806005208AA	T19CKKK60052082751	Remove and reinstall Back door wire harness LH	10
		Ex:T19CKKK30041132751	Remove and reinstall Back door LWR protector assy	20
		Ex:T19CKKK30041122701	Remove and reinstall back door protector assy RH	20
		Ex:T19CKKK30041112701	Remove and reinstall Back door protector assy LH	20
10	806005205AA	T19CKKK60052052751	Remove and reinstall The back door wiring harness	20
		Ex:T19CKKK30053462701	Remove and reinstall RR door protector with switch assy LH	40
11	806003986AA	T19CKKK60039862751	Remove and reinstall FR door wire harness LH	20
		Ex:T19CKKK30053562701	Remove and reinstall FR door protector with switch assy LH	40
12	806003957AA	T19CKKK60039572701	Remove and reinstall cab floor wire harness	800
	806003946AA	T19CKKK60039462701	Remove and reinstall cab floor wire harness	800
13	806003979AA	T19CKKK60039792751	Remove and reinstall WIRING HARNESS-INSTRUMENT	50
		Ex:T19CKKK10018122751	Remove and reinstall instrument panel body assy	200

No.	Part No.	Station No.	Station Name	Labour Time
		Ex:T19CKKK10019352701	Remove and reinstall Auxiliary dashboard assy	60
	806003971AA	T19CKKK60039712751	Remove and reinstall WIRING HARNESS-INSTRUMENT	50
		Ex:T19CKKK10018122751	Remove and reinstall instrument panel body assy	200
		Ex:T19CKKK10019352701	Remove and reinstall Auxiliary dashboard assy	60



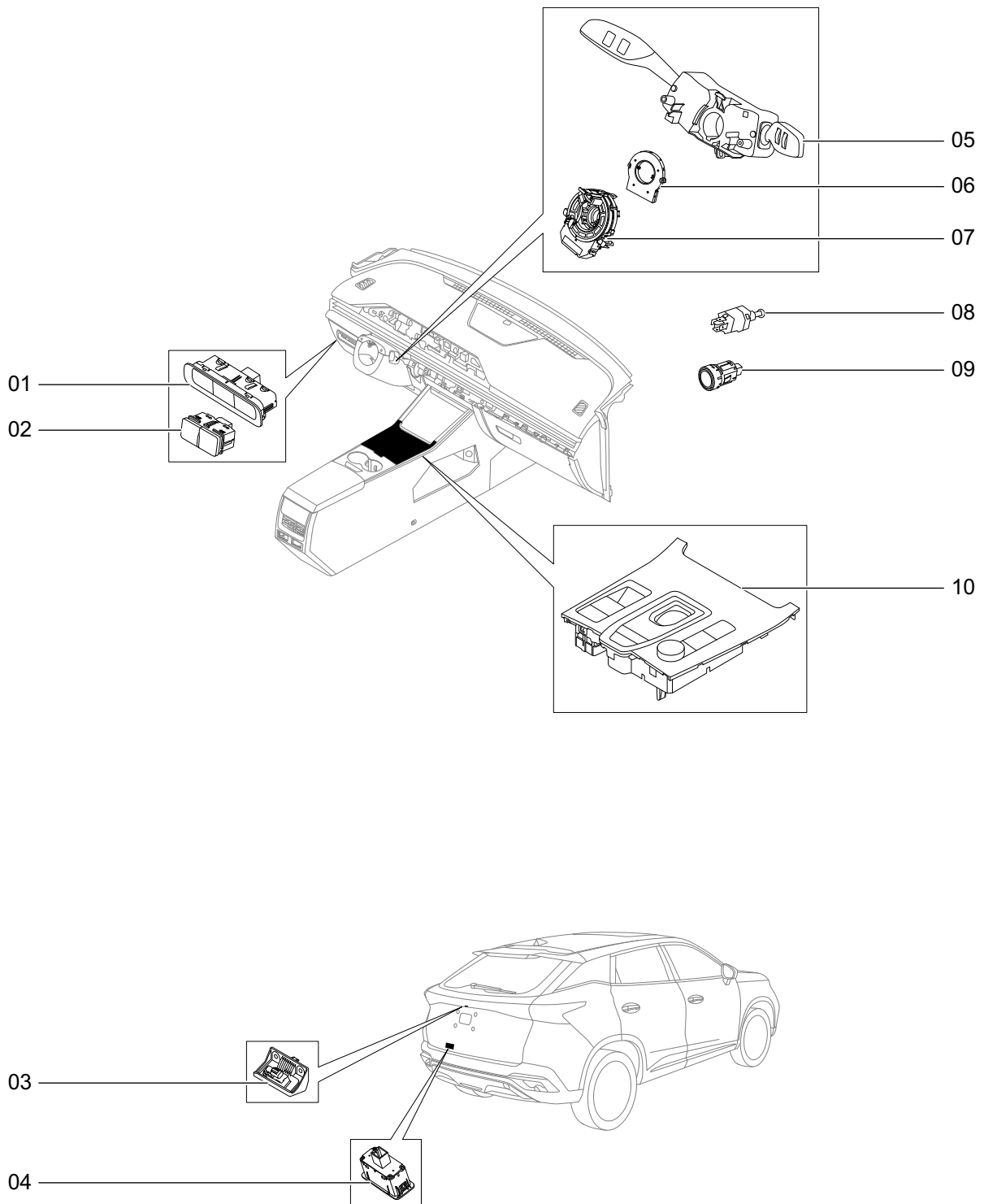
T19060220

No.	Part No.	Station No.	Station Name	Labour Time
01	T15-3703015	T19CKKK37030152751	Remove and reinstall battery pressure plate	10
		Ex:T19CKKK37030172701	Remove and reinstall battery connecting rod	10
02	807000197AA	T19CKKK70001972701	Remove and reinstall battery	20
03	807000408AA	T19CKKK70004082751	Remove and reinstall Battery tray	30
		Ex:T19CKKK70001972701	Remove and reinstall battery	20
04	T15-3730010	T19CKKK37300102701	Remove and reinstall backup power outlet	20
05	A21-3703017BA	T19CKKK37030172701	Remove and reinstall battery connecting rod	10



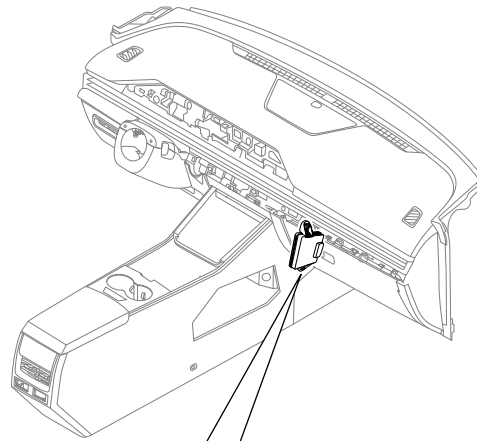
T19060230

No.	Part No.	Station No.	Station Name	Labour Time
01	807000552AA	T19CKKK70005522701	Remove and reinstall engine compartment fuse and relay box UPR cover	10
	807000529AA	T19CKKK70005292701	Remove and reinstall engine compartment fuse and relay box UPR cover	10
02	807000526AA	T19CKKK70005262701	Remove and reinstall engine compartment fuse and relay box assy	30
	807000527AA	T19CKKK70005272701	Remove and reinstall engine compartment fuse and relay box assy	30
03	807000025AA	T19CKKK70000252751	Remove and reinstall engine compartment fuse and relay box bracket	10
		Ex:T19CKKK70005272701	Remove and reinstall engine compartment fuse and relay box assy	30



T19060240

No.	Part No.	Station No.	Station Name	Labour Time
01	808000829AA	T19CKKK80008292701	Remove and reinstall Driving assist switch assembly	20
02	808000854AA	T19CKKK80008542701	Remove and reinstall Seat heating switch	20
03	808000699AA	T19CKKK80006992751	Remove and reinstall back door switch assembly	20
		Ex:T19CKKK50007242751	Remove and reinstall rear door taillight assy	10
		Ex:T19CKKK30041132751	Remove and reinstall Back door LWR protector assy	20
		Ex:T19CKKK30041122701	Remove and reinstall back door protector assy RH	20
		Ex:T19CKKK30041112701	Remove and reinstall Back door protector assy LH	20
04	808000508AA	T19CKKK80005082701	Remove and reinstall TAIL DOOR SWITCH	20
05	808000876AA	T19CKKK80008762701	Remove and reinstall Light wiper switch	60
06	808000317AA	T19CKKK80003172701	Remove and reinstall angle sensor	60
07	808000200AA	T19CKKK80002002701	Remove and reinstall spiral cable	60
	J43-3774150	T19CKKK37741502701	Remove and reinstall spiral cable	60
08	B21-3720010BA	T19CKKK37200102701	Remove and reinstall brake switch	20
09	808000394AA	T19CKKK80003942751	Remove and reinstall PEPS button	20
		Ex:T19CKKK10012032701	Remove and reinstall automatic A/C control panel assy	30
10	808000911AA	T19CKKK80009112701	Remove and reinstall Auxiliary instrument panel control panel assy	20



01

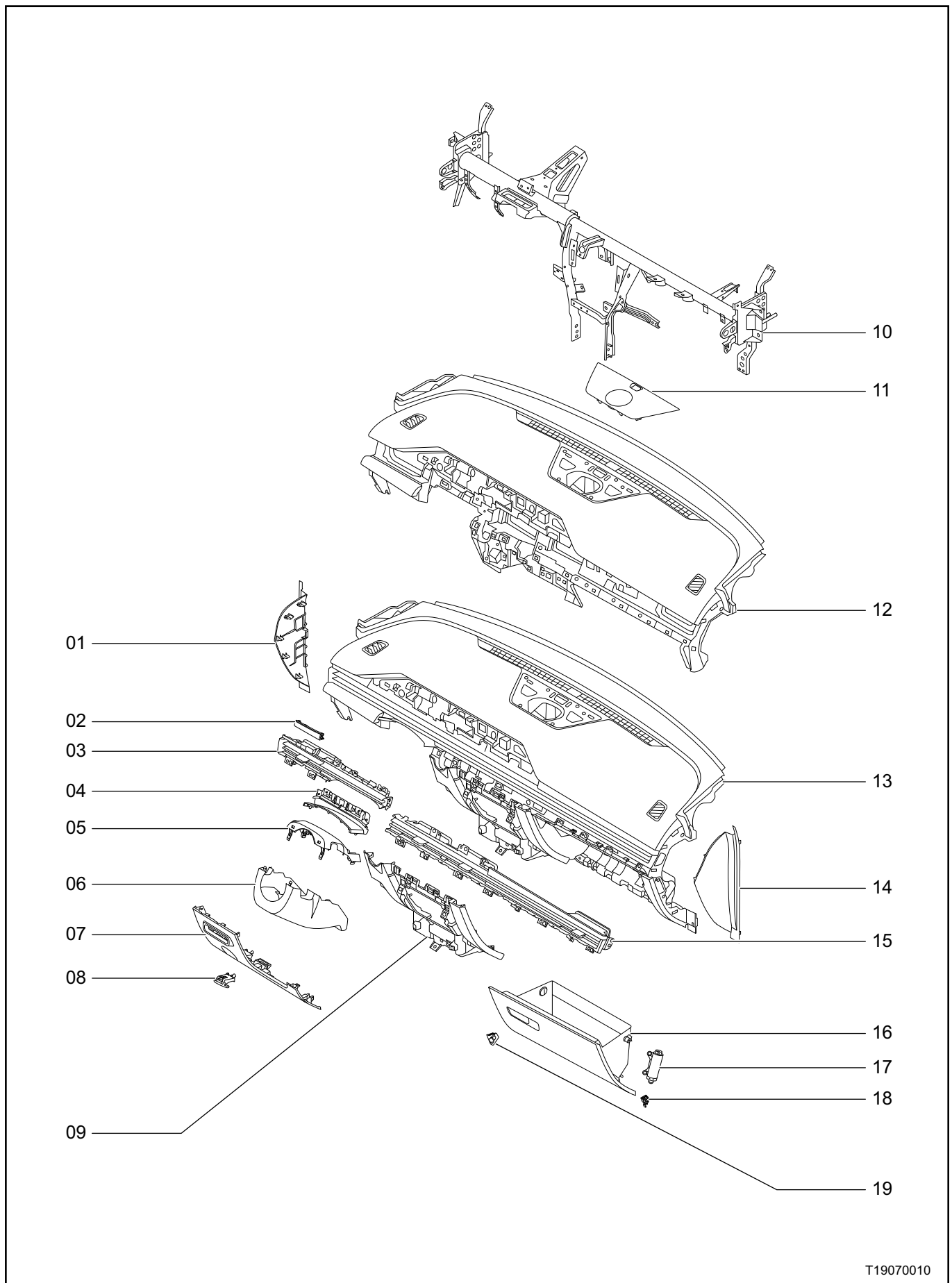
02

T19060250

No.	Part No.	Station No.	Station Name	Labour Time
01	809000034AA	T19CKKK90000342751	Remove and reinstall CTR gateway bracket	30
		Ex:T19CKKK10018282701	Remove and reinstall glove box assy	20
02	809000037AA	T19CKKK90000372751	Remove and reinstall CTR gateway	10
		Ex:T19CKKK90000342751	Remove and reinstall CTR gateway bracket	30
		Ex:T19CKKK10018282701	Remove and reinstall glove box assy	20

INTERIOR

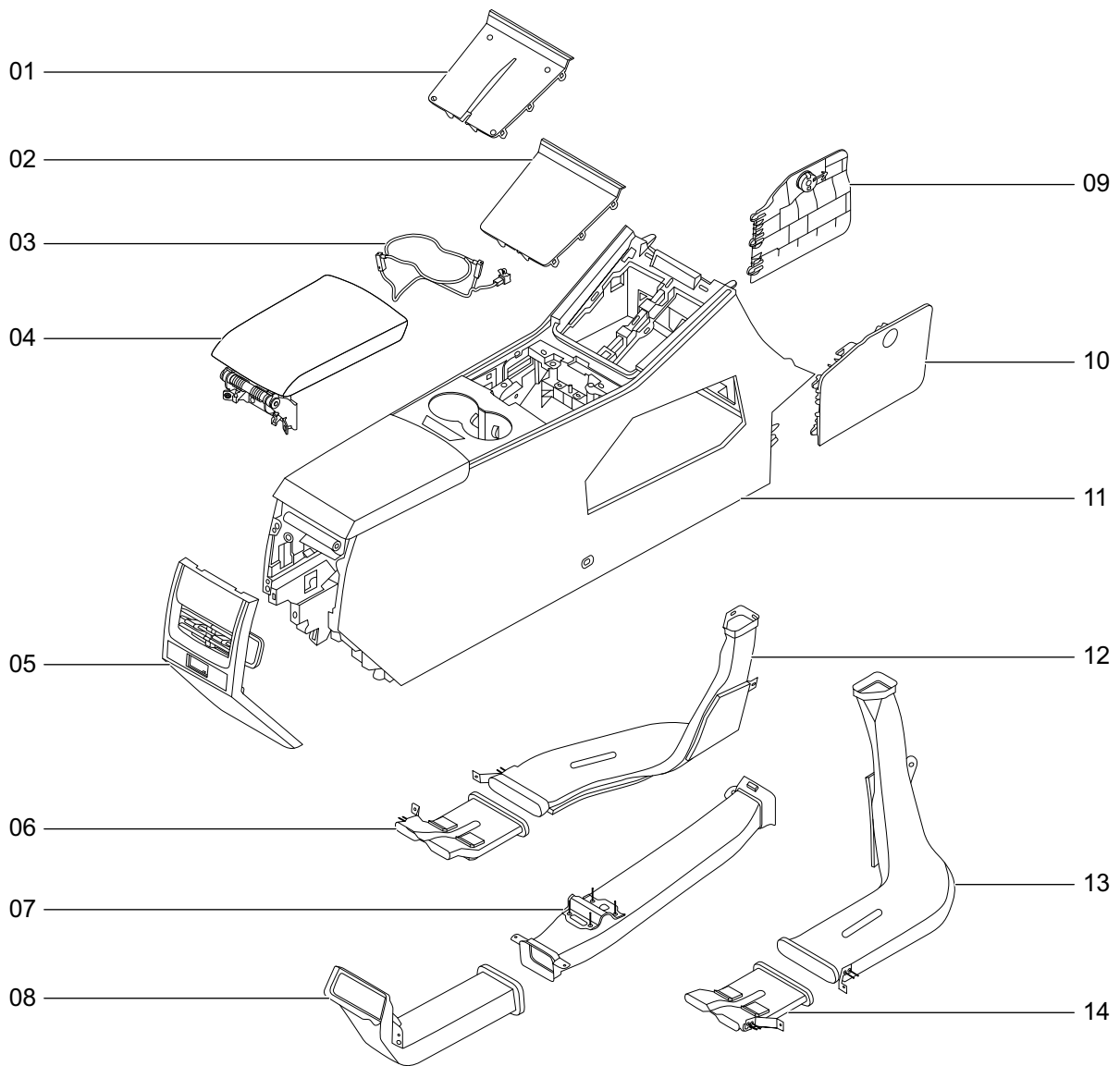
Dashboard assy	07 - 2
Auxiliary dashboard assy.....	07 - 5
FR seat	07 - 8
Second row of seats	07 - 10
RR window interior ornament	07 - 12
Floor trim	07 - 14
RR luggage compartment interior trim	07 - 16
Roof interior trim	07 - 18
INR noise processing unit.....	07 - 20
Quarter panel interior trim	07 - 22
Door protector	07 - 24
Lock core & key	07 - 27
Steering wheel	07 - 29
Seat belt.....	07 - 31
Airbag	07 - 33
Sealing system	07 - 35



T19070010

No.	Part No.	Station No.	Station Name	Labour Time
01	401001815AA	T19CKKK10018152701	Remove and reinstall instrument panel end plate assy LH	10
02	401001917AA	T19CKKK10019172701	Remove and reinstall instrument panel trim panel assy LH	20
03	401001915AA	T19CKKK10019152751	Remove and reinstall LH A/C outlet assy	20
		Ex:T19CKKK10001582701	Remove and reinstall instrument cluste	20
04	401002544AA	T19CKKK10025442751	Remove and reinstall Cover curtain under meter	20
		Ex:T19CKKK10019152751	Remove and reinstall LH A/C outlet assy	20
		Ex:T19CKKK10001582701	Remove and reinstall instrument cluste	20
05	401001923AA	T19CKKK10019232701	Remove and reinstall Combined switch upper cover assembly	10
06	401001850AA	T19CKKK10018502701	Remove and reinstall combination switch LWR cover assy	10
07	401001826AA	T19CKKK10018262701	Remove and reinstall LWR protector assy LH	20
	401001825AA	T19CKKK10018252701	Remove and reinstall LWR protector assy LH	20
08	401001751AA	T19CKKK10017512701	Remove and reinstall handle - engine compartment	20
09	401002543AA	T19CKKK10025432751	Remove and reinstall Body of middle lower guard plate	30
		Ex:T19CKKK10019352701	Remove and reinstall Auxiliary dashboard assy	60
10	401001830AA	T19CKKK10018302751	Remove and reinstall instrument panel crossbeam assy	40
		Ex:T19CKKK10018122751	Remove and reinstall instrument panel body assy	200
		Ex:T19CKKK10019352701	Remove and reinstall Auxiliary dashboard assy	60
11	401002159AA	T19CKKK10021592701	Remove and reinstall Speaker cover assy	10
12	401002344AA	T19CKKK10023442751	Remove and reinstall Instrument panel body	200
		Ex:T19CKKK10019352701	Remove and reinstall Auxiliary dashboard assy	60
13	401001812AA	T19CKKK10018122751	Remove and reinstall instrument panel body assy	200
		Ex:T19CKKK10019352701	Remove and reinstall Auxiliary dashboard assy	60
14	401001816AA	T19CKKK10018162701	Remove and reinstall dashboard end plate assy RH	10
15	401001916AA	T19CKKK10019162751	Remove and reinstall RH A/C outlet assy	30
		Ex:T19CKKK10001582701	Remove and reinstall instrument cluste	20
16	401001828AA	T19CKKK10018282701	Remove and reinstall glove box assy	20
17	T21-5306900	T19CKKK53069002751	Remove and reinstall damper assy	10
		Ex:T19CKKK10018282701	Remove and reinstall glove box assy	20

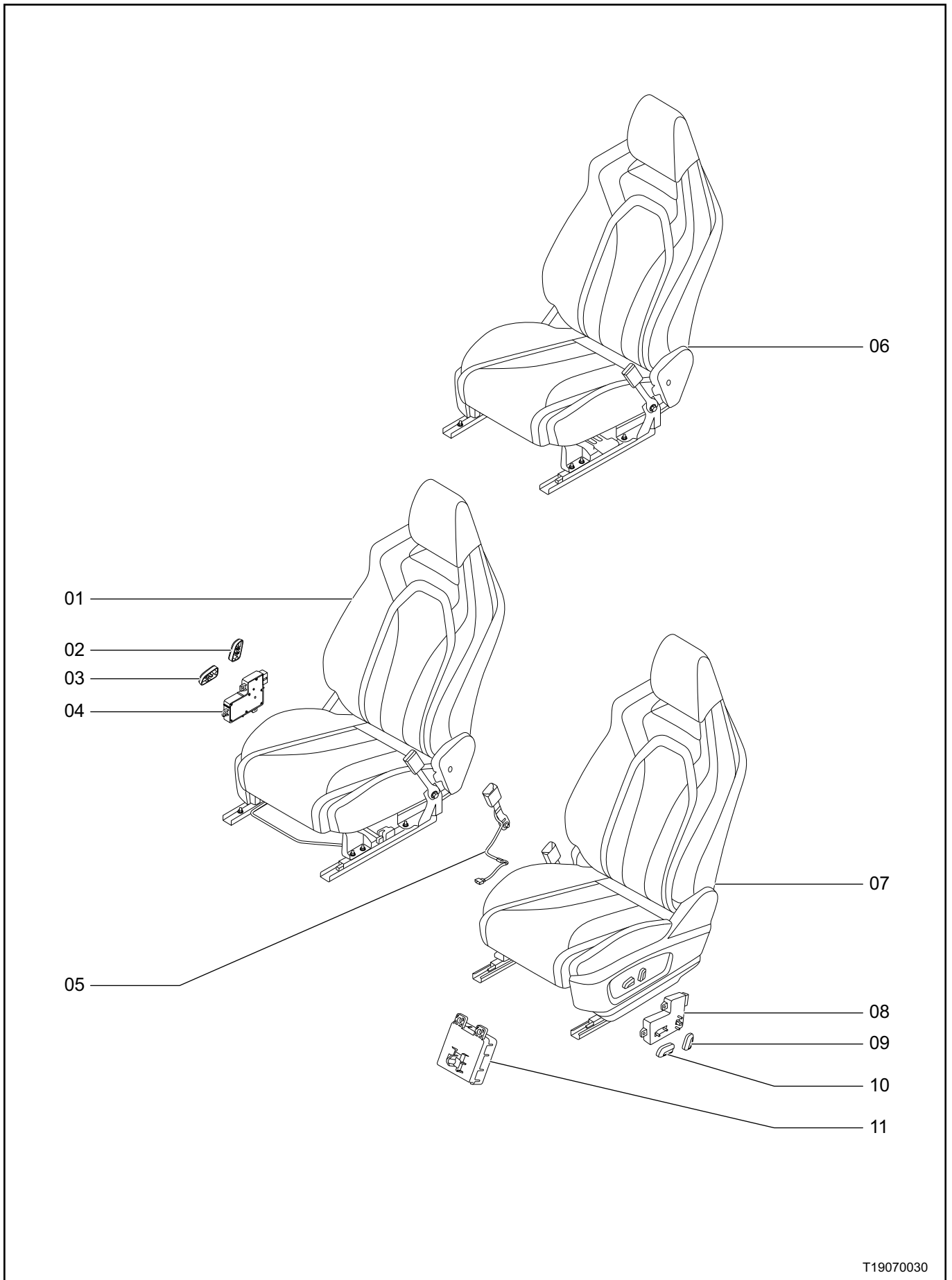
No.	Part No.	Station No.	Station Name	Labour Time
18	401001920AA	T19CKKK10019202751	Remove and reinstall RH SLEEVE-STORAGE BOX LOCK	10
		Ex:T19CKKK10018282701	Remove and reinstall glove box assy	20
19	401001919AA	T19CKKK10019192751	Remove and reinstall LH SLEEVE-STORAGE BOX LOCK	10
		Ex:T19CKKK10018282701	Remove and reinstall glove box assy	20



T19070020

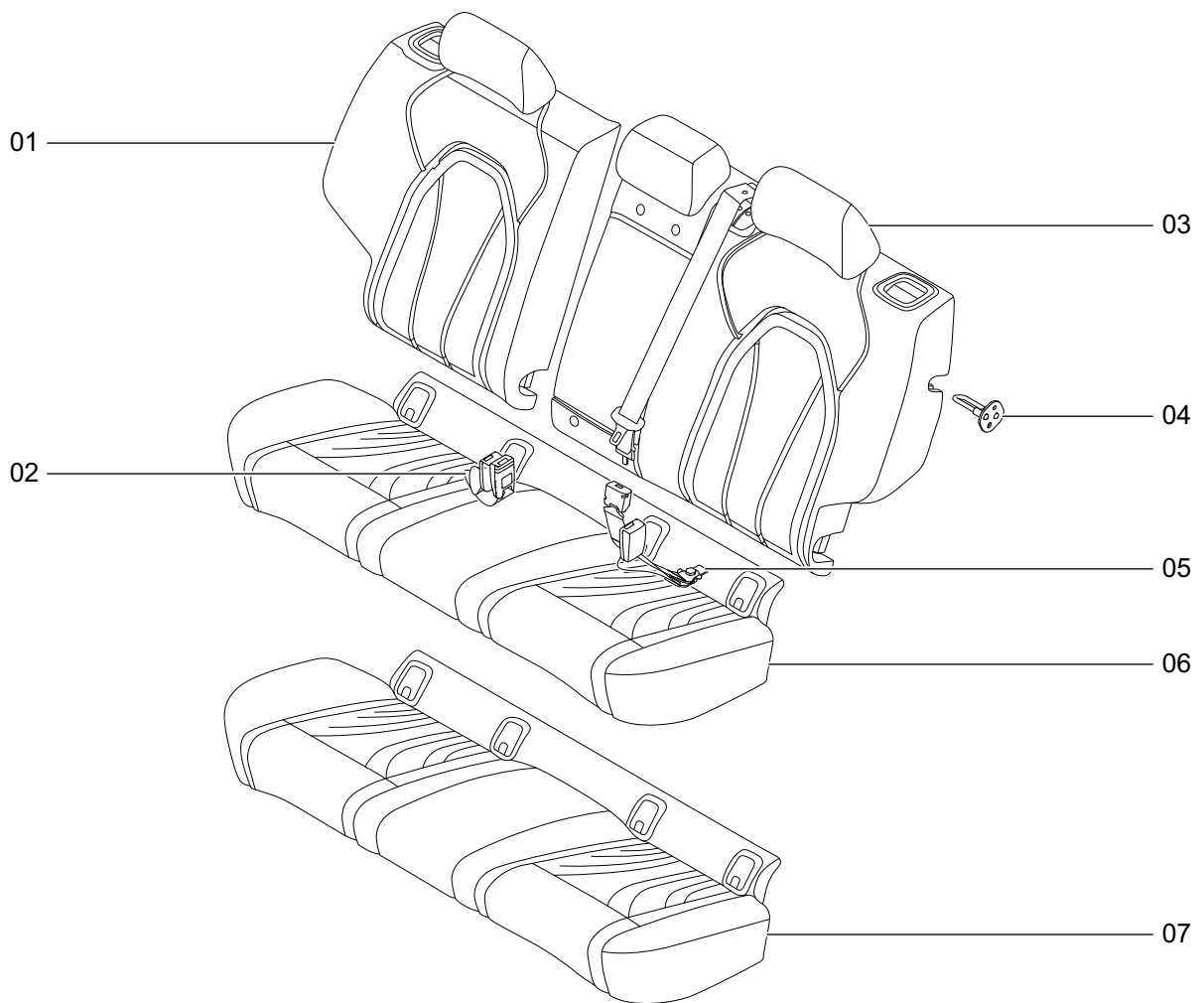
No.	Part No.	Station No.	Station Name	Labour Time
01	401002336AA	T19CKKK10023362701	Remove and reinstall Auxiliary fascia console FR storage box	10
02	401002295AA	T19CKKK10022952701	Remove and reinstall auxiliary fascia console FR storage box rubber cushion	10
03	401002324AA	T19CKKK10023242751	Remove and reinstall sub-instrument panel atmosphere light	10
		Ex:T19CKKK10019352701	Remove and reinstall Auxiliary dashboard assy	60
04	401002292AA	T19CKKK10022922751	Remove and reinstall auxiliary dashboard armrest assy	10
		Ex:T19CKKK10018472701	Remove and reinstall Auxiliary fascia console RR panel assy	10
05	401001847AA	T19CKKK10018472701	Remove and reinstall Auxiliary fascia console RR panel assy	10
	401001846AA	T19CKKK10018462701	Remove and reinstall Auxiliary fascia console RR panel assy	10
06	401001945AA	T19CKKK10019452751	Remove and reinstall Rear section assembly, left rear foot air duct	60
		Ex:T19CKKK20058322701	Remove and reinstall FR seat belt buckle assy LH	30
07	401001843AA	T19CKKK10018432751	Remove and reinstall RR face duct FR end	20
		Ex:T19CKKK10019352701	Remove and reinstall Auxiliary dashboard assy	60
08	401001844AA	T19CKKK10018442751	Remove and reinstall RR face vent tube RR end assy	10
		Ex:T19CKKK10018472701	Remove and reinstall Auxiliary fascia console RR panel assy	10
09	401001842AA	T19CKKK10018422701	Remove and reinstall FR auxiliary fascia console protector assy LH	10
10	401001841AA	T19CKKK10018412701	Remove and reinstall FR auxiliary fascia console protector assy RH	10
11	401001934AAABK	T19CKKK10019342701	Remove and reinstall Auxiliary dashboard assy	60
	401001935AAABK	T19CKKK10019352701	Remove and reinstall Auxiliary dashboard assy	60
	401001935AAABN	T19CKKK10019352711	Remove and reinstall Auxiliary dashboard assy	60
12	401001891AA	T19CKKK10018912751	Remove and reinstall RR foot vent tube assy LH	60
		Ex:T19CKKK20058322701	Remove and reinstall FR seat belt buckle assy LH	30
13	401001893AA	T19CKKK10018932751	Remove and reinstall RR foot vent tube assy RH	60
		Ex:T19CKKK20059332701	Remove and reinstall FR seat belt buckle assy RH	30

No.	Part No.	Station No.	Station Name	Labour Time
14	401001946AA	T19CKKK10019462751	Remove and reinstall Rear section assembly of right rear foot air duct	60
		Ex:T19CKKK20059332701	Remove and reinstall FR seat belt buckle assy RH	30



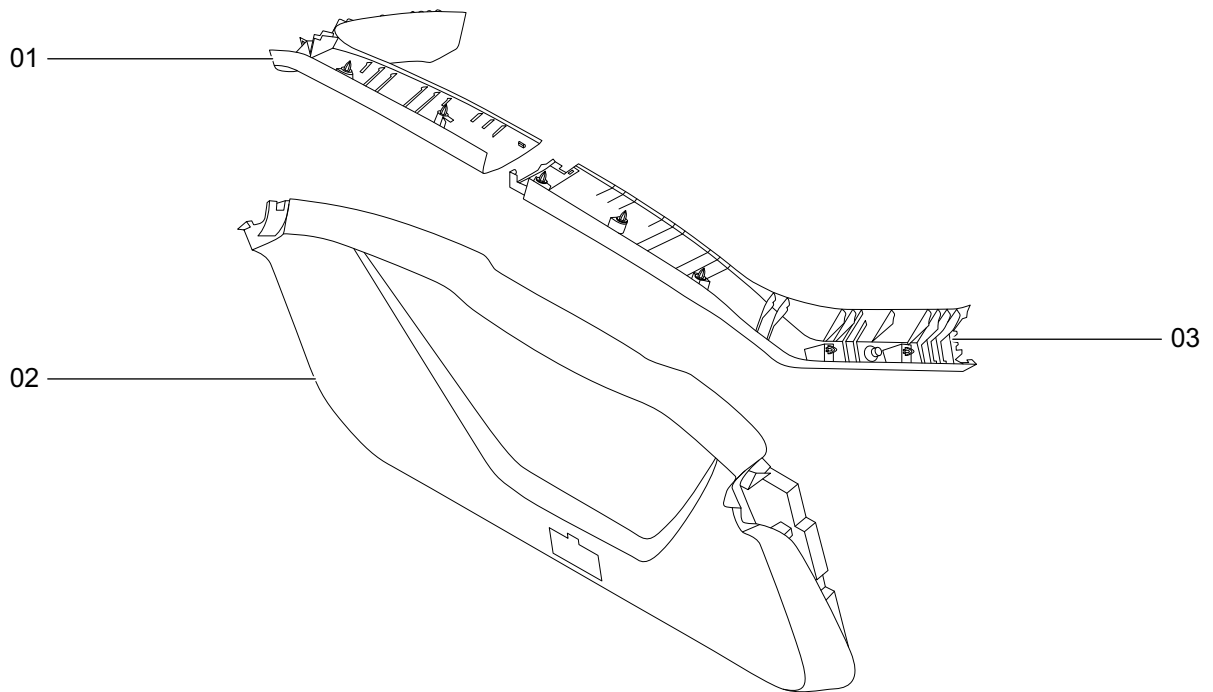
T19070030

No.	Part No.	Station No.	Station Name	Labour Time
01	402005933AAABK	T19CKKK20059332701	Remove and reinstall FR seat belt buckle assy RH	30
	402005937AAABN	T19CKKK20059372701	Remove and reinstall FR seat belt buckle assy RH	30
02	402000413AAASR	T19CKKK20004132701	Remove and reinstall adjust button - recline	10
03	402000412AAASR	T19CKKK20004122701	Remove and reinstall seat adjust button	10
04	402001237AA	T19CKKK20012372751	Remove and reinstall right front seat adjustable switch assembly	20
		Ex:T19CKKK20049412701	Remove and reinstall FR seat belt buckle assy RH	30
05	406000389AA	T19CKKK60003892751	Remove and reinstall FR buckle assy LH	20
		Ex:T19CKKK20058322701	Remove and reinstall FR seat belt buckle assy LH	30
06	402004941AAABK	T19CKKK20049412701	Remove and reinstall FR seat belt buckle assy RH	30
07	402005832AAABK	T19CKKK20058322701	Remove and reinstall FR seat belt buckle assy LH	30
	402003660AAABK	T19CKKK20036602701	Remove and reinstall FR seat belt buckle assy LH	30
	402005832AAABN	T19CKKK20058322711	Remove and reinstall FR seat belt buckle assy LH	30
08	402000341AA	T19CKKK20003412751	Remove and reinstall SEAT SWITCH BLOCK - DS	20
		Ex:T19CKKK20058322701	Remove and reinstall FR seat belt buckle assy LH	30
09	402000053AAESR	T19CKKK20000532701	Remove and reinstall adjust button - recline	10
10	402000052AAESR	T19CKKK20000522701	Remove and reinstall seat adjust button	10
11	802000229AA	T19CKKK20002292751	Remove and reinstall control module-seat	20
		Ex:T19CKKK20058322701	Remove and reinstall FR seat belt buckle assy LH	30



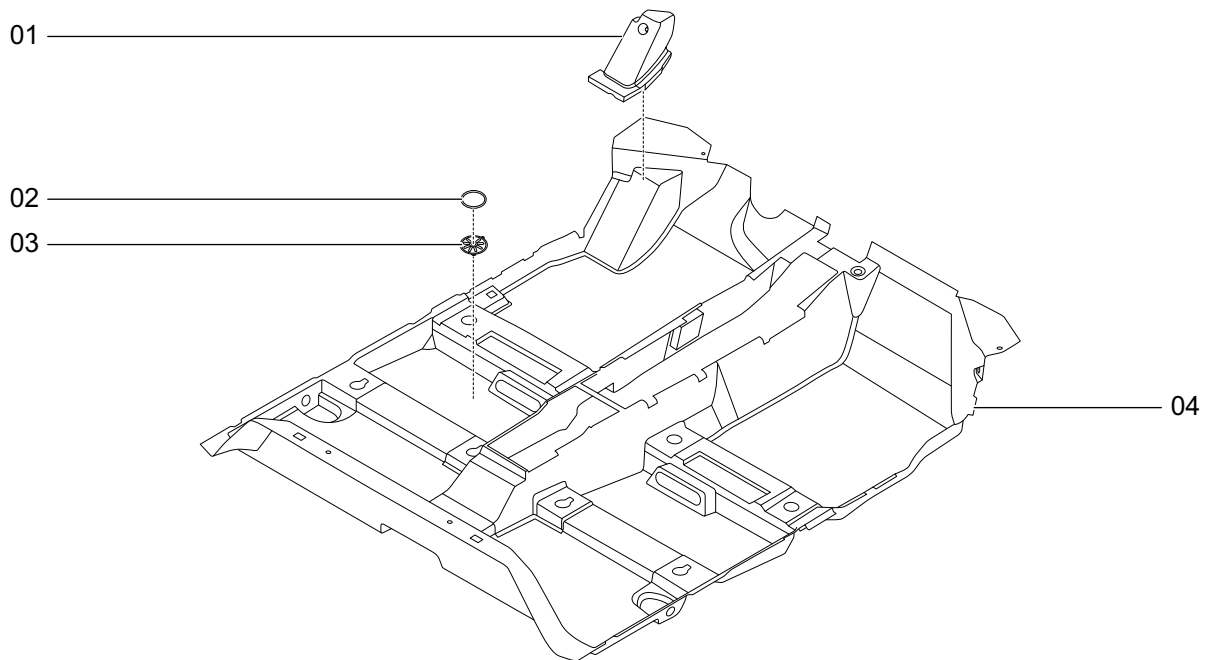
T19070040

No.	Part No.	Station No.	Station Name	Labour Time
01	402003711AAABK	T19CKKK20037112701	Remove and reinstall Right rear seat back	30
	402003711AAABN	T19CKKK20037112711	Remove and reinstall Right rear seat back	30
02	406000166AA	T19CKKK60001662751	Remove and reinstall Double striker assy	10
		Ex:T19CKKK20037172701	Remove and reinstall Rear seat cushion	20
03	402003705AAABN	T19CKKK20037052701	Remove and reinstall RR seat belt buckle assy LH	30
	402003705AAABK	T19CKKK20037052711	Remove and reinstall RR seat belt buckle assy LH	30
04	T15-7002050	T19CKKK70020502751	Remove and reinstall RR seatback hook assy LH	10
		Ex:T19CKKK30041442751	Remove and reinstall Pillar C LWR protector assy LH	20
		Ex:T19CKKK20037052711	Remove and reinstall RR seat belt buckle assy LH	30
05	406000167AA	T19CKKK60001672751	Remove and reinstall RR seat belt small buckle assy	10
		Ex:T19CKKK20037172701	Remove and reinstall Rear seat cushion	20
06	402003717AAABK	T19CKKK20037172701	Remove and reinstall Rear seat cushion	20
07	402004935AAABK	T19CKKK20049352701	Remove and reinstall RR CUSHION WITH MODULE	20
	402004935AAABN	T19CKKK20049352711	Remove and reinstall RR CUSHION WITH MODULE	20



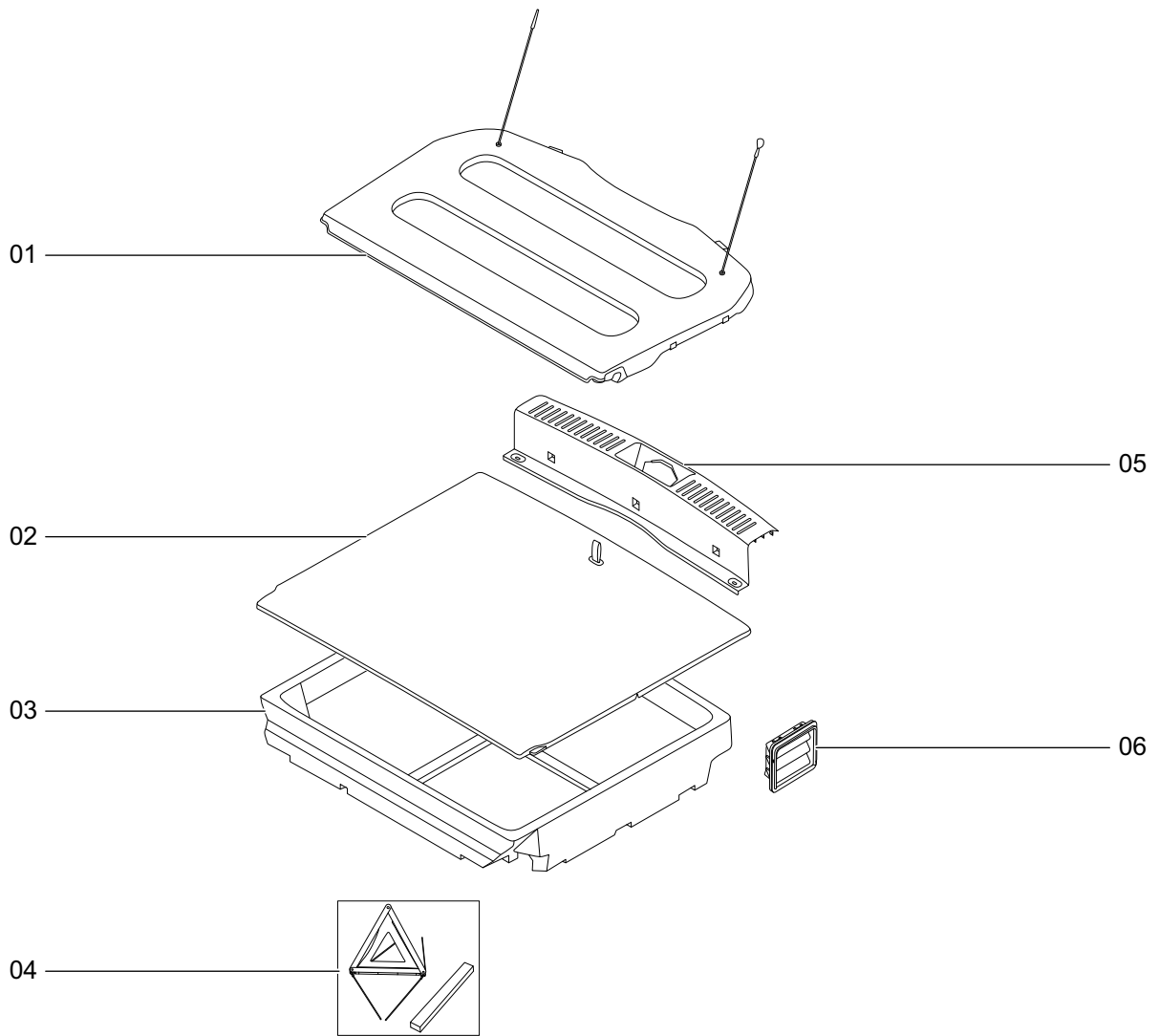
T19070050

No.	Part No.	Station No.	Station Name	Labour Time
01	403004112AA	T19CKKK30041122701	Remove and reinstall back door protector assy RH	20
02	403004113AA	T19CKKK30041132751	Remove and reinstall Back door LWR protector assy	20
		Ex:T19CKKK30041122701	Remove and reinstall back door protector assy RH	20
		Ex:T19CKKK30041112701	Remove and reinstall Back door protector assy LH	20
03	403004111AA	T19CKKK30041112701	Remove and reinstall Back door protector assy LH	20



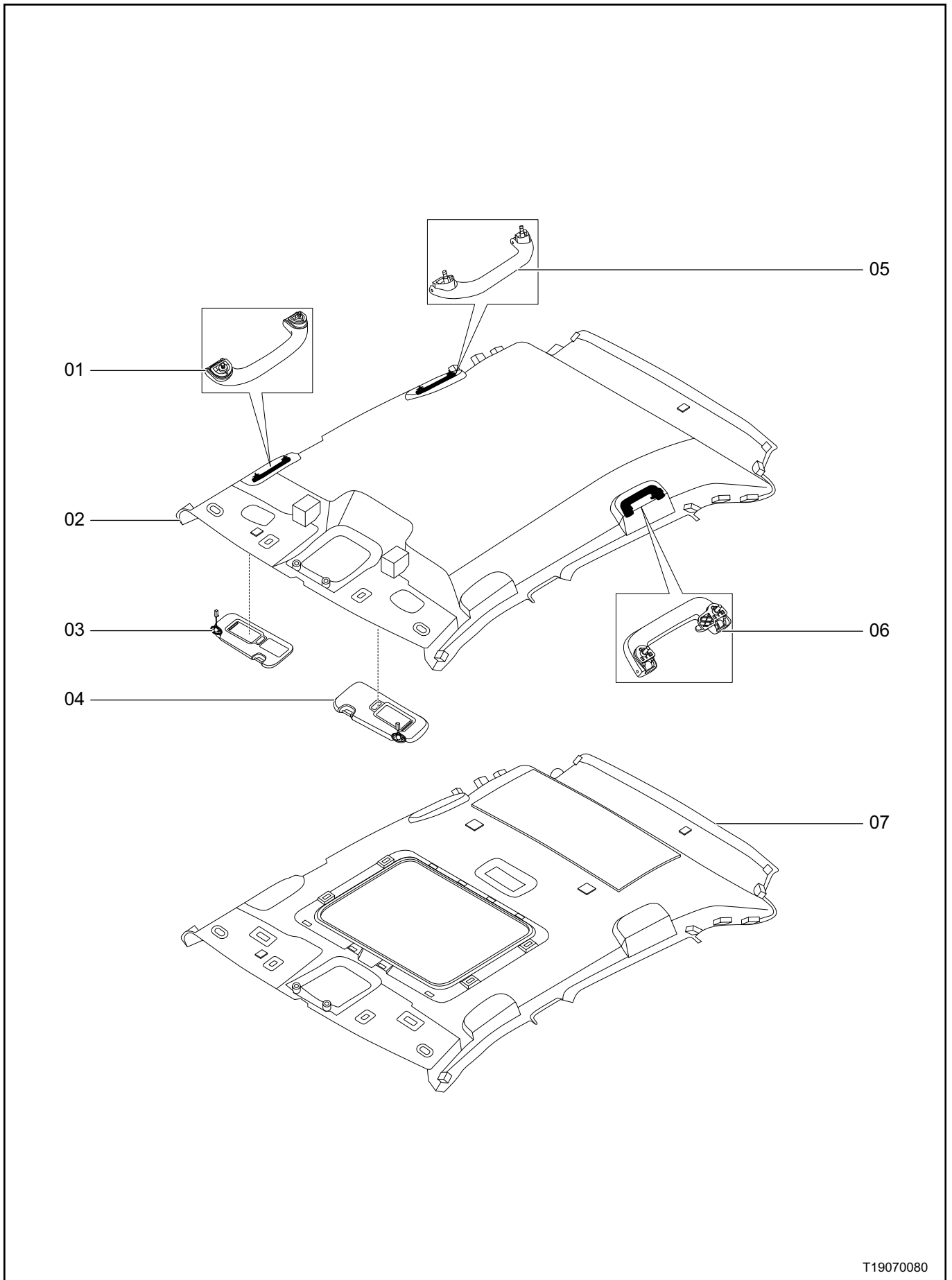
T19070060

No.	Part No.	Station No.	Station Name	Labour Time
01	T15-8206010	T19CKKK82060102701	Remove and reinstall driver side foot rest	20
02	J60-4102711	T19CKKK41027112751	Remove and reinstall fuel tank sightglass cover seal strip	10
		Ex:T19CKKK51070112751	Remove and reinstall fuel tank sightglass cover	10
		Ex:T19CKKK20037172701	Remove and reinstall Rear seat cushion	20
03	J60-5107011	T19CKKK51070112751	Remove and reinstall fuel tank sightglass cover	10
		Ex:T19CKKK20037172701	Remove and reinstall Rear seat cushion	20
04	403004366AAABK	T19CKKK30043662701	Remove and reinstall FR floor carpet assy	230



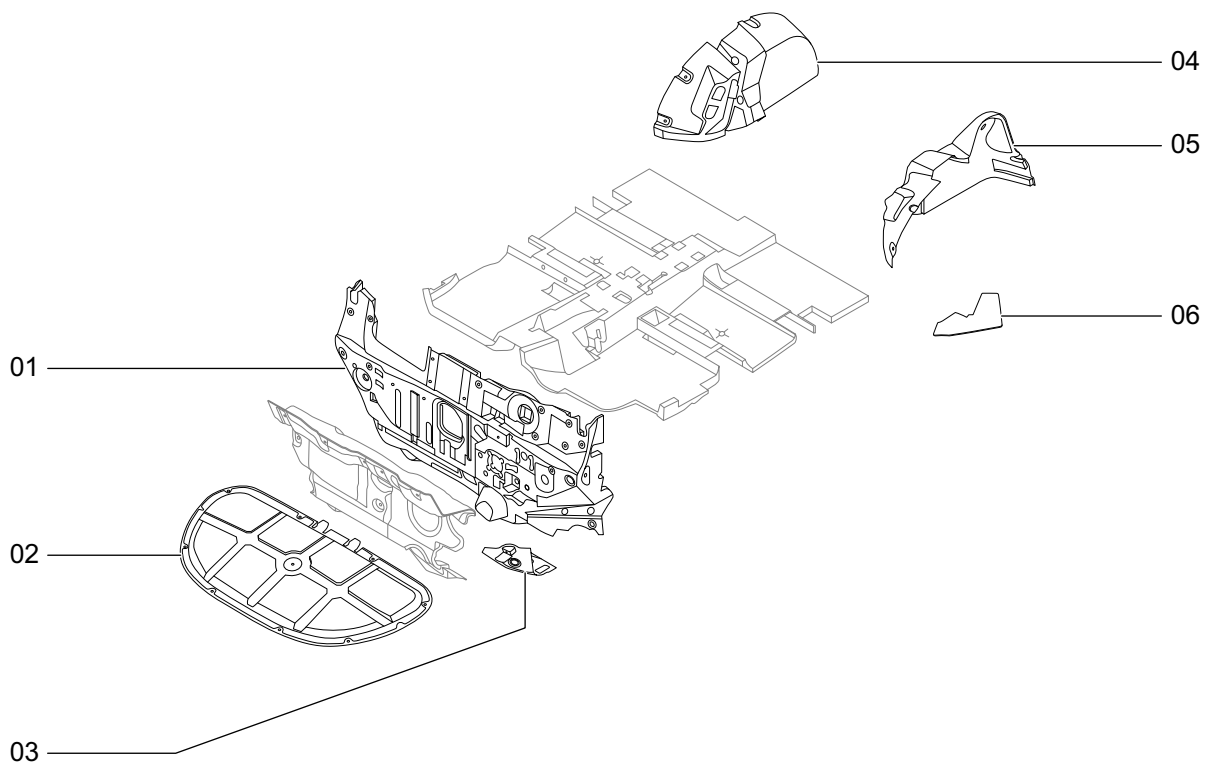
T19070070

No.	Part No.	Station No.	Station Name	Labour Time
01	403004127AA	T19CKKK30041272701	Remove and reinstall parcel shelf assy	20
02	403004497AA	T19CKKK30044972701	Remove and reinstall luggage compartment carpet assy	20
	403004125AA	T19CKKK30041252701	Remove and reinstall luggage compartment carpet assy	20
03	403004337AA	T19CKKK30043372701	Remove and reinstall luggage compartment storage box	20
04	S11-8208010	T19CKKK82080102701	Remove and reinstall triangle warning plate assy	10
05	403004153AAABK	T19CKKK30041532701	Remove and reinstall back doorsill pressure panel assy	20
06	403001138AA	T19CKKK30011382751	Remove and reinstall RR ventilation frame assy	20
		Ex:T19CKKK20026492701	Remove and reinstall RR bumper LWR body	50



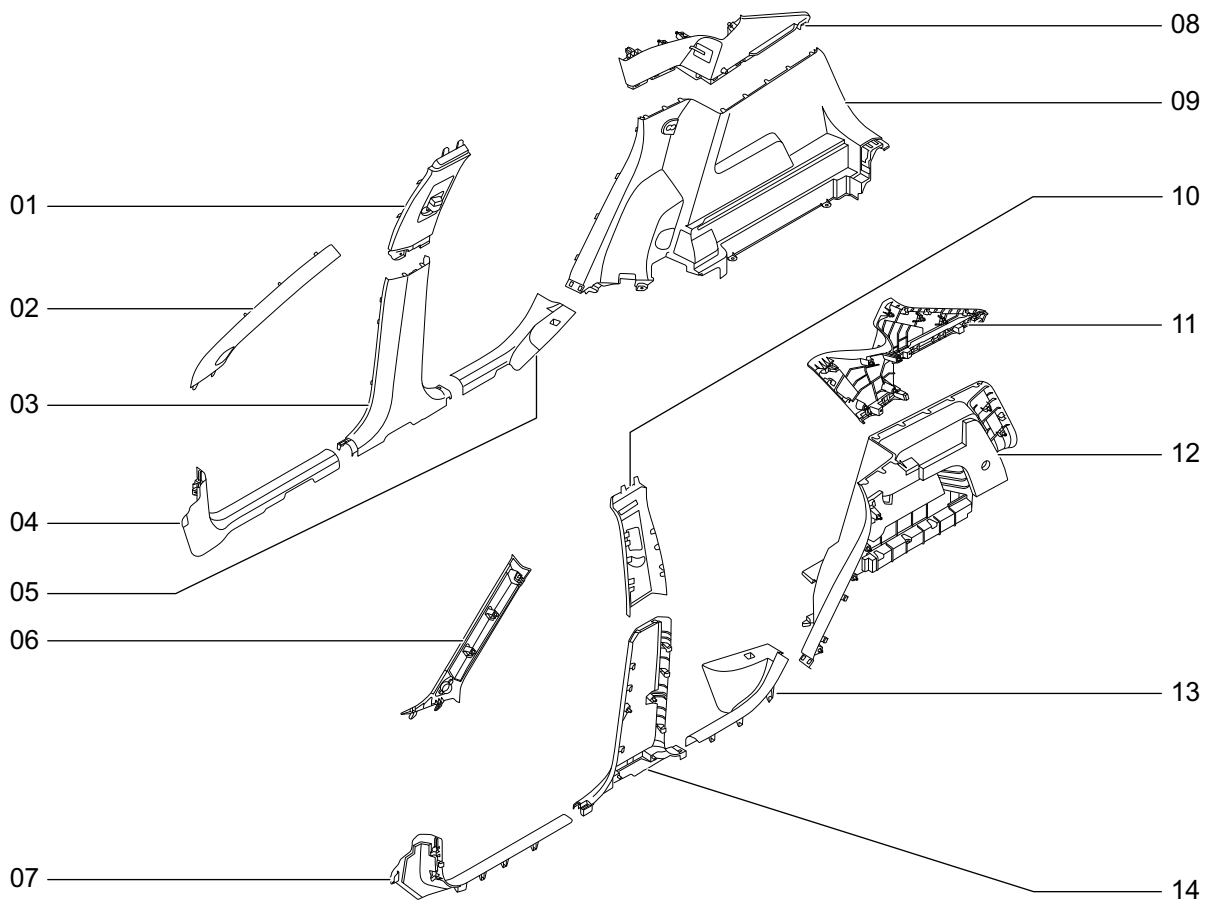
T19070080

No.	Part No.	Station No.	Station Name	Labour Time
01	403002676AABGY	T19CKKK30026762701	Remove and reinstall passenger armrest assy	10
02	403004128AAAGY	T19CKKK30041282701	Remove and reinstall roof assy	180
03	403004840AAABE	T19CKKK30048402701	Remove and reinstall Sun visor assy RH	20
	403005639AAABE	T19CKKK30056392701	Remove and reinstall Sun visor assy RH	20
04	403005418AAABE	T19CKKK30054182701	Remove and reinstall sun visor assy LH	20
	403005420AAABE	T19CKKK30054202701	Remove and reinstall sun visor assy LH	20
05	403005404AABGY	T19CKKK30054042701	Remove and reinstall Right rear passenger armrest	10
06	403005382AABGY	T19CKKK30053822701	Remove and reinstall RR passenger grip LH	10
07	403005397AAAGY	T19CKKK30053972701	Remove and reinstall roof assy	180



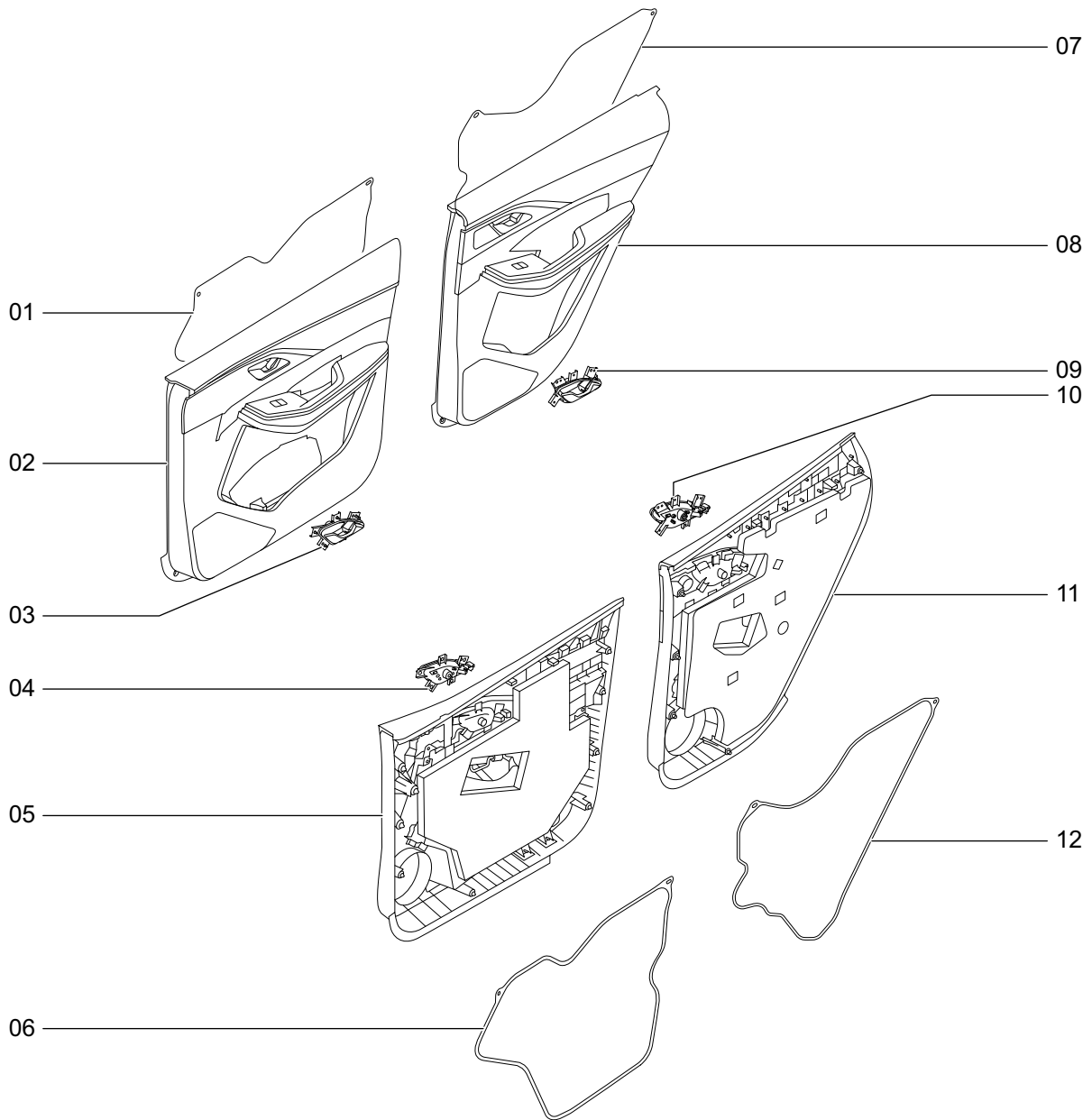
T19070090

No.	Part No.	Station No.	Station Name	Labour Time
01	403004338AA	T19CKKK30043382751	Remove and reinstall INR FR baffle plate damping pad	100
		Ex:T19CKKK10012512751	Remove and reinstall automatic HVAC assy	30
		Ex:T19CKKK47020112201	Drain and fill refrigerant R134a	50
		Ex:T19CKKK10018122751	Remove and reinstall instrument panel body assy	200
		Ex:T19CKKK10019352701	Remove and reinstall Auxiliary dashboard assy	60
02	403004126AA	T19CKKK30041262701	Remove and reinstall engine hood absorbent cotton	30
03	T15-5531010	T19CKKK55310102701	Remove and reinstall Driver foot rest shock absorption cushion	20
04	403005978AA	T19CKKK30059782751	Remove and reinstall RR wheel house absorbent cushion RH	20
		Ex:T19CKKK30041452761	Remove and reinstall C-pillar LWR protector assy RH	20
		Ex:T19CKKK20037112701	Remove and reinstall Right rear seat back	30
05	403005537AA	T19CKKK30055372751	Remove and reinstall RR wheel house sound insulator LH	20
		Ex:T19CKKK30041442751	Remove and reinstall Pillar C LWR protector assy LH	20
		Ex:T19CKKK20037052711	Remove and reinstall RR seat belt buckle assy LH	30
06	403001758AA	T19CKKK30017582751	Remove and reinstall RR quarter panel sound insulator LH	10
		Ex:T19CKKK20016922751	Remove and reinstall RR wheel house protector assy LH	30
		Ex:T19CKKK90011782701	Remove and reinstall RR wheel arch trim assy LH	10



T19070100

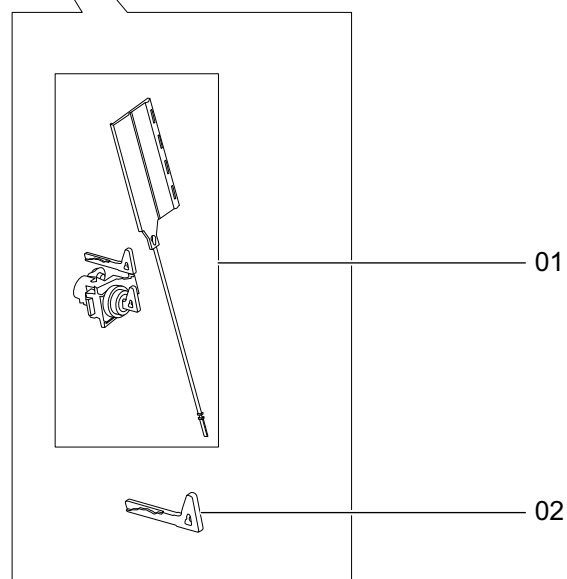
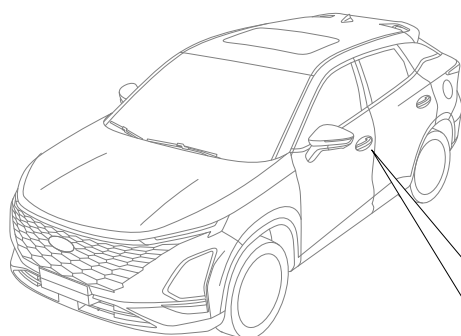
No.	Part No.	Station No.	Station Name	Labour Time
01	403005011AAAGY	T19CKKK30050112751	Remove and reinstall pillar B UPR protector assy RH	10
		Ex:T19CKKK30041412701	Remove and reinstall B-pillar LWR protector assy RH	20
02	403005009AAAGY	T19CKKK30050092701	Remove and reinstall Pillar A UPR protector assy RH	20
03	403004141AAABK	T19CKKK30041412701	Remove and reinstall B-pillar LWR protector assy RH	20
04	403004147AAABK	T19CKKK30041472701	Remove and reinstall FR doorsill pressure panel assy RH	20
05	403004151AAABK	T19CKKK30041512701	Remove and reinstall RR doorsill pressure panel assy RH	20
06	403005008AAAGY	T19CKKK30050082701	Remove and reinstall pillar A UPR protector assy LH	20
07	403004146AAABK	T19CKKK30041462701	Remove and reinstall FR doorsill pressure panel assy LH	20
08	403004143AAAGY	T19CKKK30041432761	Remove and reinstall pillar C UPR protector assy RH	20
		Ex:T19CKKK30041452761	Remove and reinstall C-pillar LWR protector assy RH	20
		Ex:T19CKKK20037112701	Remove and reinstall Right rear seat back	30
09	403004145AAABK	T19CKKK30041452761	Remove and reinstall C-pillar LWR protector assy RH	20
		Ex:T19CKKK20037112701	Remove and reinstall Right rear seat back	30
10	403005010AAAGY	T19CKKK30050102751	Remove and reinstall Pillar B UPR protector assy LH	10
		Ex:T19CKKK30041402701	Remove and reinstall Pillar B LWR protector assy LH	20
11	403004142AAAGY	T19CKKK30041422751	Remove and reinstall c-pillar UPR protector assy LH	20
		Ex:T19CKKK30041442751	Remove and reinstall Pillar C LWR protector assy LH	20
		Ex:T19CKKK20037052711	Remove and reinstall RR seat belt buckle assy LH	30
12	403004144AAABK	T19CKKK30041442751	Remove and reinstall Pillar C LWR protector assy LH	20
		Ex:T19CKKK20037052711	Remove and reinstall RR seat belt buckle assy LH	30
13	403004150AAABK	T19CKKK30041502701	Remove and reinstall RR doorsill pressure panel assy LH	20
14	403004140AAABK	T19CKKK30041402701	Remove and reinstall Pillar B LWR protector assy LH	20



T19070110

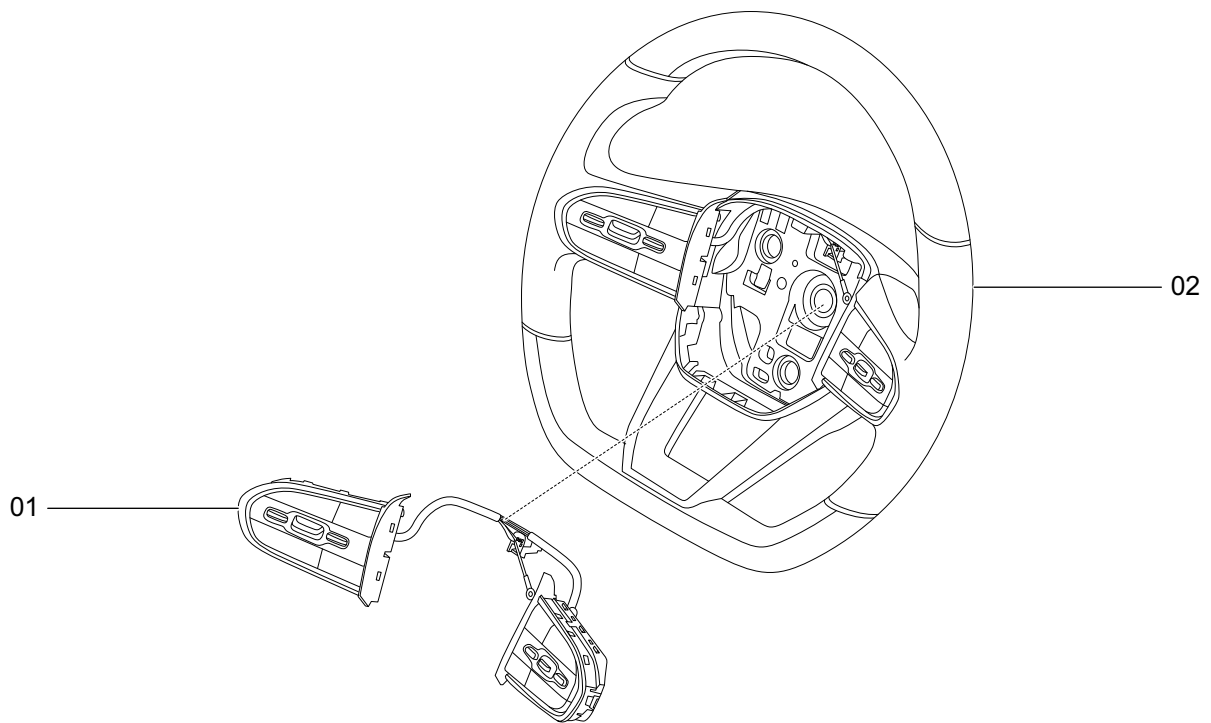
No.	Part No.	Station No.	Station Name	Labour Time
01	403004103AA	T19CKKK30041032751	Remove and reinstall FR door protective film RH	10
		Ex:T19CKKK30053572701	Remove and reinstall FR door protector with switch assy RH	40
02	403005345AAABK	T19CKKK30053452701	Remove and reinstall FR door protector with switch assy RH	40
	403005357AAABK	T19CKKK30053572701	Remove and reinstall FR door protector with switch assy RH	40
	403005357AAABN	T19CKKK30053572711	Remove and reinstall FR door protector with switch assy RH	40
03	403005376AA	T19CKKK30053762751	Remove and reinstall INR HANDLE-FR DOOR RH	10
		Ex:T19CKKK30053452701	Remove and reinstall FR door protector with switch assy RH	40
04	403005375AA	T19CKKK30053752751	Remove and reinstall FR INR handle assy LH	10
		Ex:T19CKKK30053562701	Remove and reinstall FR door protector with switch assy LH	40
05	403005356AAABK	T19CKKK30053562701	Remove and reinstall FR door protector with switch assy LH	40
	403005356AAABN	T19CKKK30053562711	Remove and reinstall FR door protector with switch assy LH	40
06	403004102AA	T19CKKK30041022751	Remove and reinstall FR door protective film LH	10
		Ex:T19CKKK30053562701	Remove and reinstall FR door protector with switch assy LH	40
07	403004105AA	T19CKKK30041052751	Remove and reinstall RR door protective film RH	10
		Ex:T19CKKK30053472701	Remove and reinstall RR door protector with switch assy RH	40
08	403005347AAABK	T19CKKK30053472701	Remove and reinstall RR door protector with switch assy RH	40
	403005347AAABN	T19CKKK30053472711	Remove and reinstall RR door protector with switch assy RH	40
09	403005378AA	T19CKKK30053782751	Remove and reinstall INR HANDLE-RR DOOR RH	10
		Ex:T19CKKK30053472701	Remove and reinstall RR door protector with switch assy RH	40
10	403005377AA	T19CKKK30053772751	Remove and reinstall RR INR handle assy LH	10
		Ex:T19CKKK30053462701	Remove and reinstall RR door protector with switch assy LH	40
11	403005346AAABK	T19CKKK30053462701	Remove and reinstall RR door protector with switch assy LH	40
	403005346AAABN	T19CKKK30053462711	Remove and reinstall RR door protector with switch assy LH	40

No.	Part No.	Station No.	Station Name	Labour Time
12	403004104AA	T19CKKK30041042751	Remove and reinstall RR door protective film LH	10
		Ex:T19CKKK30053462701	Remove and reinstall RR door protector with switch assy LH	40



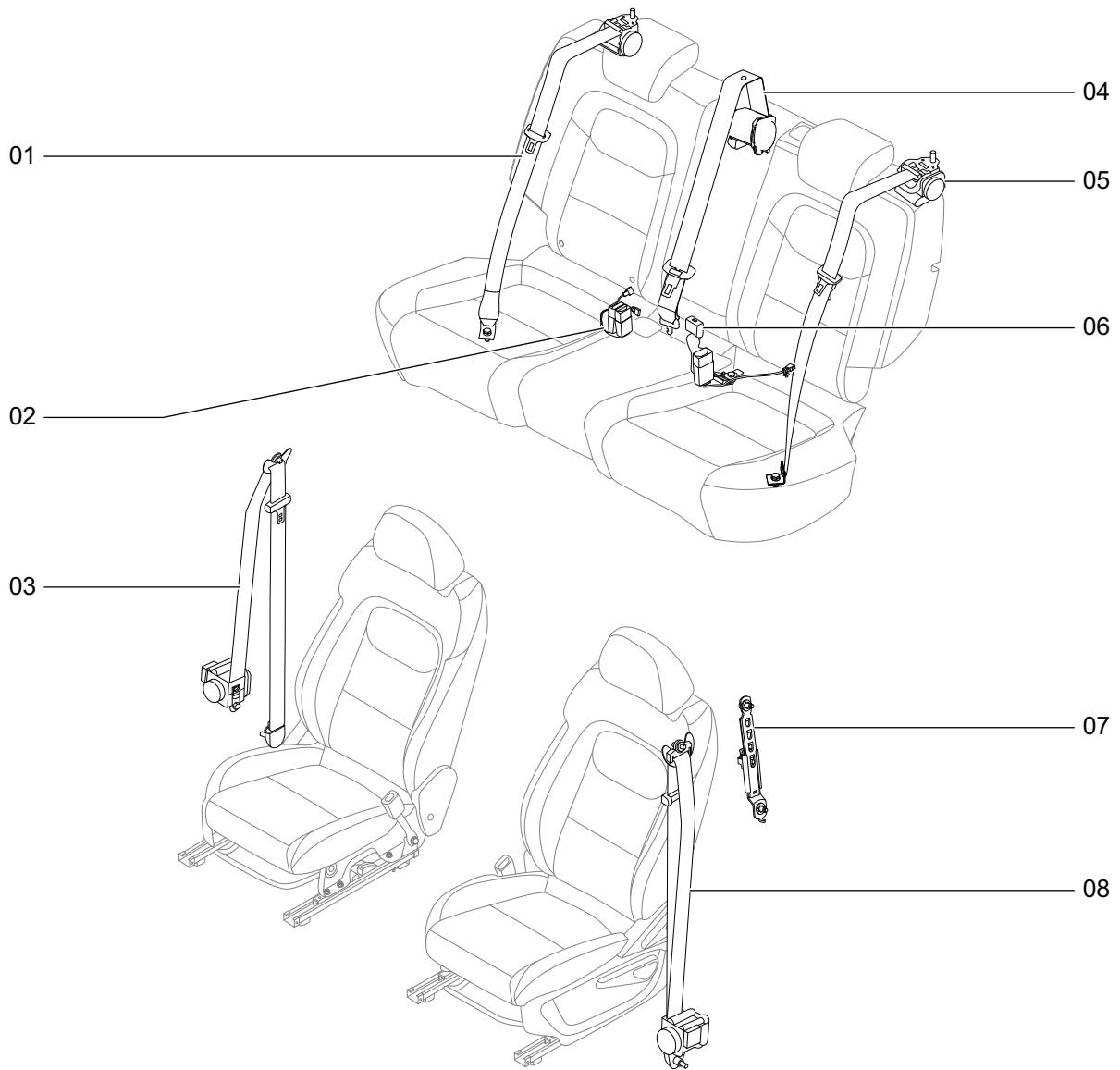
T19070120

No.	Part No.	Station No.	Station Name	Labour Time
01	403003757AA	T19CKKK30037572751	Remove and reinstall key cylinder & key assy	10
		Ex:T19CKKK30053562701	Remove and reinstall FR door protector with switch assy LH	40
02	403005326AA-8CB	T19CKKK30053262701	Remove and reinstall mechanical key assy	20



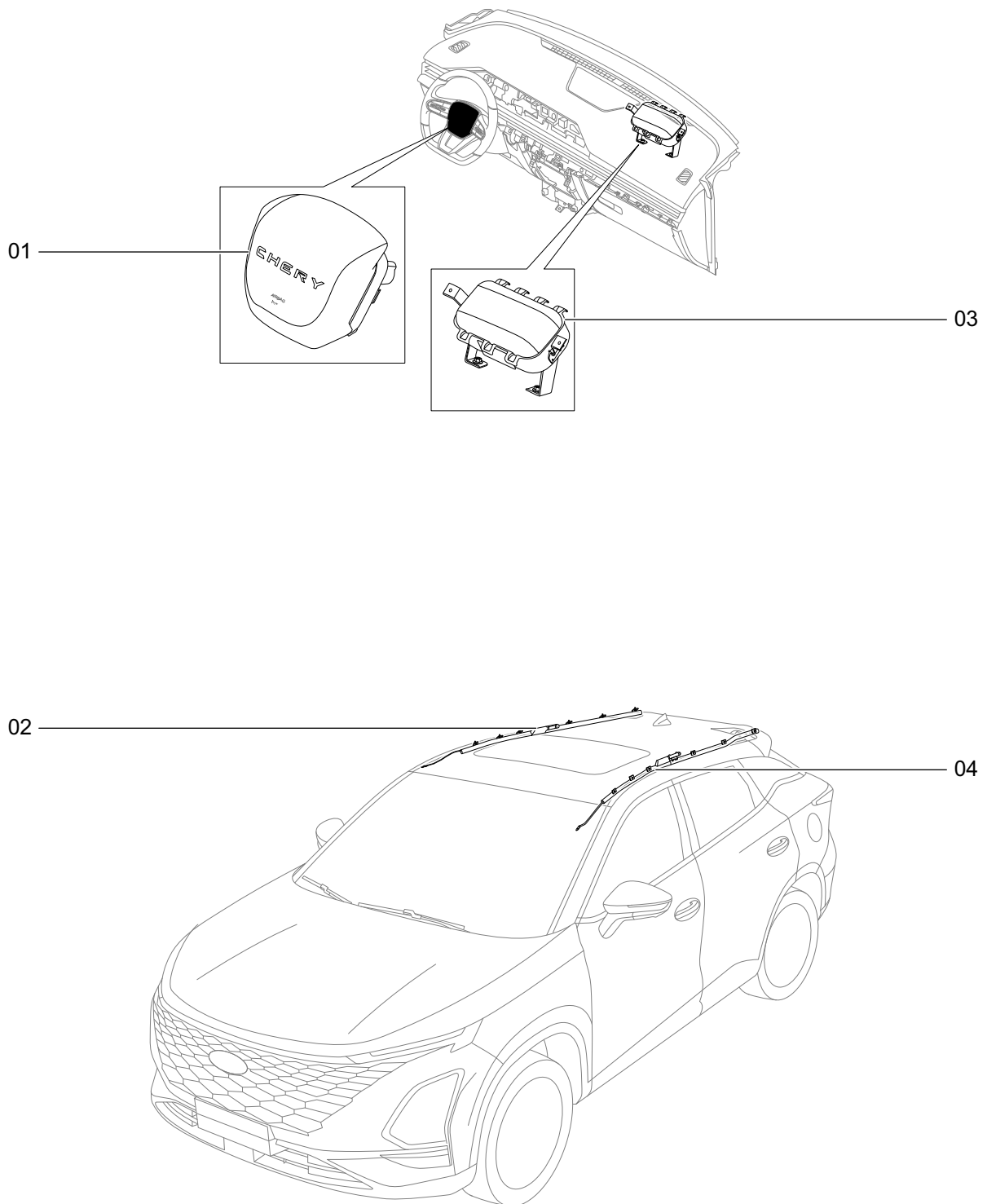
T19070130

No.	Part No.	Station No.	Station Name	Labour Time
01	404000473AA	T19CKKK40004732751	Remove and reinstall steering wheel multi-function switch	20
		Ex:T19CKKK70002952701	Remove and reinstall driver airbag assy	20
	404000402AA	T19CKKK40004022751	Remove and reinstall steering wheel multi-function switch	20
		Ex:T19CKKK70002952701	Remove and reinstall driver airbag assy	20
	404000469AA	T19CKKK40004692751	Remove and reinstall steering wheel multi-function switch	20
		Ex:T19CKKK70002952701	Remove and reinstall driver airbag assy	20
02	404000525AA	T19CKKK40005252751	Remove and reinstall steering wheel assy	20
		Ex:T19CKKK70002952701	Remove and reinstall driver airbag assy	20
	404000526AA	T19CKKK40005262751	Remove and reinstall steering wheel assy	20
		Ex:T19CKKK70002952701	Remove and reinstall driver airbag assy	20
	404000527AA	T19CKKK40005272751	Remove and reinstall steering wheel assy	20
		Ex:T19CKKK70002952701	Remove and reinstall driver airbag assy	20



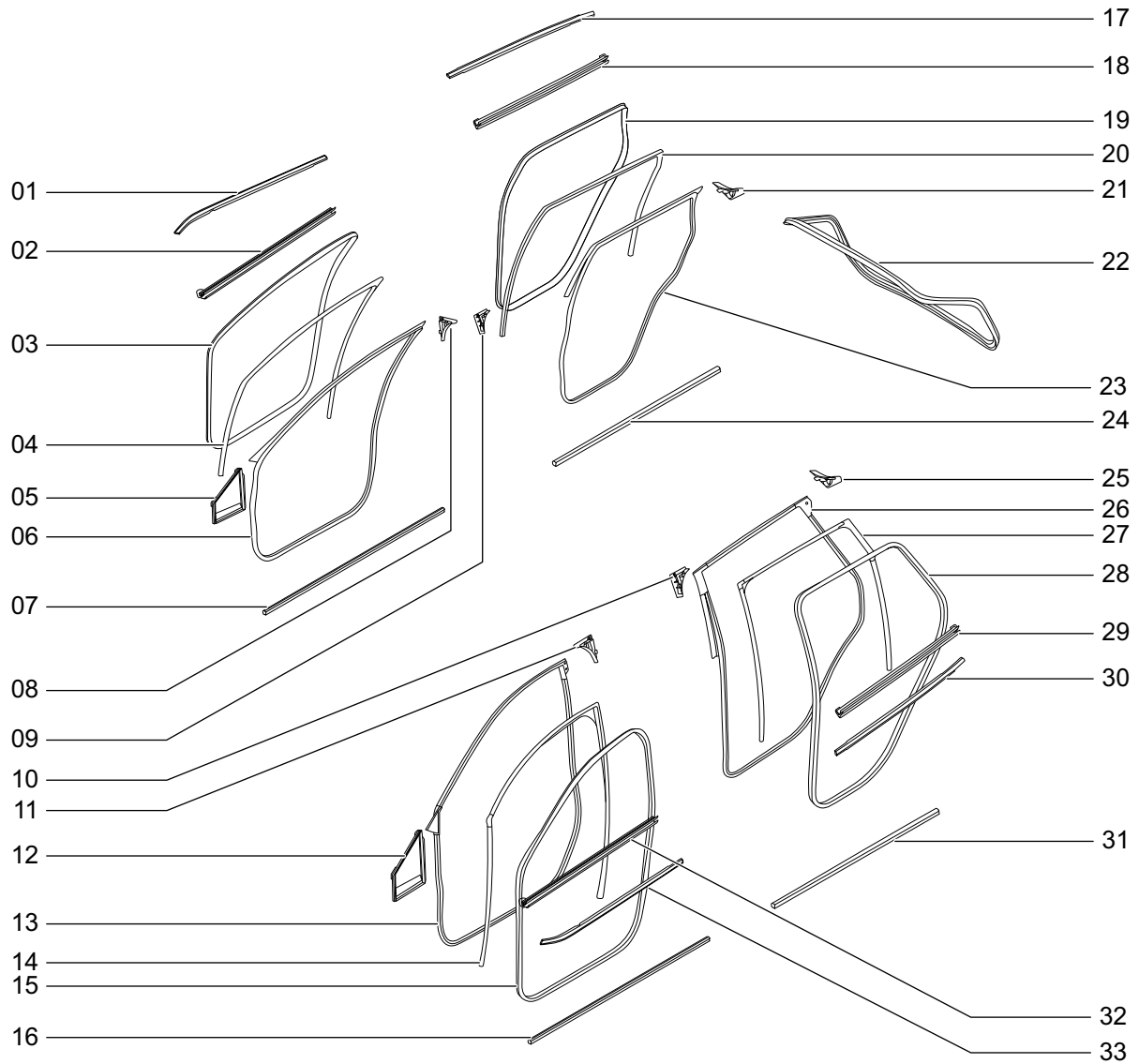
T19070140

No.	Part No.	Station No.	Station Name	Labour Time
01	406000328AA	T19CKKK60003282751	Remove and reinstall right rear seat belt assy	30
		Ex:T19CKKK30041432761	Remove and reinstall pillar C UPR protector assy RH	20
		Ex:T19CKKK30041452761	Remove and reinstall C-pillar LWR protector assy RH	20
		Ex:T19CKKK20037112701	Remove and reinstall Right rear seat back	30
02	406000172AA	T19CKKK60001722751	Remove and reinstall Double striker assy	10
		Ex:T19CKKK20037172701	Remove and reinstall Rear seat cushion	20
03	406000320AA	T19CKKK60003202751	Remove and reinstall FR seat belt assy RH	30
		Ex:T19CKKK30050112751	Remove and reinstall pillar B UPR protector assy RH	10
		Ex:T19CKKK30041412701	Remove and reinstall B-pillar LWR protector assy RH	20
	406000160AA	T19CKKK60001602751	Remove and reinstall FR seat belt assy RH	30
		Ex:T19CKKK30050112751	Remove and reinstall pillar B UPR protector assy RH	10
		Ex:T19CKKK30041412701	Remove and reinstall B-pillar LWR protector assy RH	20
04	406000171AA	T19CKKK60001712701	Remove and reinstall Md safety belt-rr row	80
05	406000327AA	T19CKKK60003272751	Remove and reinstall safety belt assy - rr lh	30
		Ex:T19CKKK30041422751	Remove and reinstall c-pillar UPR protector assy LH	20
		Ex:T19CKKK30041442751	Remove and reinstall Pillar C LWR protector assy LH	20
		Ex:T19CKKK20037052711	Remove and reinstall RR seat belt buckle assy LH	30
06	406000173AA	T19CKKK60001732751	Remove and reinstall BUCKLE ASM	10
		Ex:T19CKKK20037172701	Remove and reinstall Rear seat cushion	20
07	406000163AA	T19CKKK60001632751	Remove and reinstall height adjuster assy	20
		Ex:T19CKKK30050102751	Remove and reinstall Pillar B UPR protector assy LH	10
		Ex:T19CKKK30041402701	Remove and reinstall Pillar B LWR protector assy LH	20
08	406000319AA	T19CKKK60003192751	Remove and reinstall FR seat belt assy LH	30
		Ex:T19CKKK30050102751	Remove and reinstall Pillar B UPR protector assy LH	10
		Ex:T19CKKK30041402701	Remove and reinstall Pillar B LWR protector assy LH	20
	406000159AA	T19CKKK60001592751	Remove and reinstall FR seat belt assy LH	30
		Ex:T19CKKK30050102751	Remove and reinstall Pillar B UPR protector assy LH	10
		Ex:T19CKKK30041402701	Remove and reinstall Pillar B LWR protector assy LH	20



T19070150

No.	Part No.	Station No.	Station Name	Labour Time
01	407000295AA	T19CKKK70002952701	Remove and reinstall driver airbag assy	20
	407000296AA	T19CKKK70002962701	Remove and reinstall driver airbag assy	20
02	407000217AA	T19CKKK70002172751	Remove and reinstall curtain airbag assy RH	20
		Ex:T19CKKK30041282701	Remove and reinstall roof assy	180
03	J68-5820020	T19CKKK58200202751	Remove and reinstall FR passenger airbag assy	10
		Ex:T19CKKK10018122751	Remove and reinstall instrument panel body assy	200
		Ex:T19CKKK10019352701	Remove and reinstall Auxiliary dashboard assy	60
04	407000216AA	T19CKKK70002162751	Remove and reinstall curtain airbag assy LH	20
		Ex:T19CKKK30041282701	Remove and reinstall roof assy	180



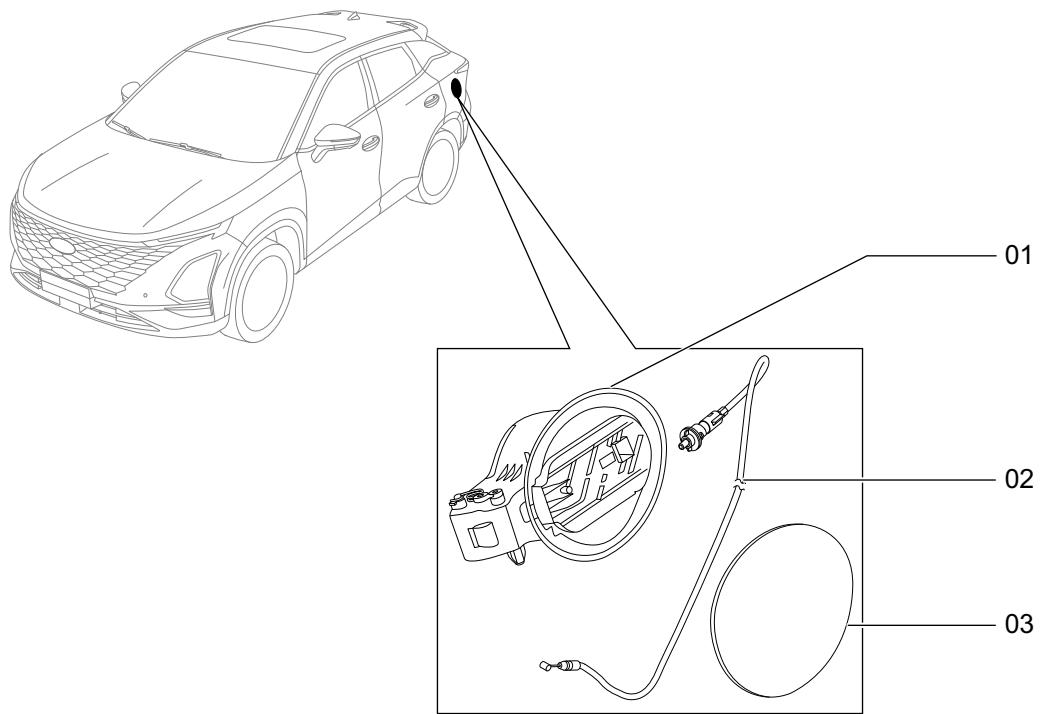
T19070160

No.	Part No.	Station No.	Station Name	Labour Time
01	554001097AA	T19CKKK40010972701	Remove and reinstall FR door OTR weatherstrip RH	20
02	554001089AA	T19CKKK40010892751	Remove and reinstall FR door INR weatherstrip RH	0
		Ex:T19CKKK30053572701	Remove and reinstall FR door protector with switch assy RH	40
03	554001085AA	T19CKKK40010852701	Remove and reinstall FR door seal strip RH	20
04	554001081AA	T19CKKK40010812701	Remove and reinstall FR door guide groove RH	40
05	554001157AA	T19CKKK40011572751	Remove and reinstall Right front door triangle window sealing strip	20
		Ex:T19CKKK10012322751	Remove and install right front door front glass guide rail assembly	20
		Ex:T19CKKK30053572701	Remove and reinstall FR door protector with switch assy RH	40
06	554001077AA	T19CKKK40010772701	Remove and reinstall FR door FRame seal strip RH	20
07	554001101AA	T19CKKK40011012701	Remove and reinstall FR door LWR weatherstrip RH	20
08	554001106AA	T19CKKK40011062701	Remove and reinstall FR B-pillar opening seal strip pressure cap RH	10
09	554001108AA	T19CKKK40011082701	Remove and reinstall RR pillar B opening seal strip pressure cap RH	10
10	554001107AA	T19CKKK40011072701	Remove and reinstall RR pillar B opening seal strip pressure cap LH	10
11	554001105AA	T19CKKK40011052701	Remove and reinstall FR B-pillar seal strip pressure cap LH	10
12	554001156AA	T19CKKK40011562751	Remove and reinstall Left front door triangle window sealing strip	20
		Ex:T19CKKK10012312751	Remove and install left front door front glass guide rail assembly	20
		Ex:T19CKKK30053562701	Remove and reinstall FR door protector with switch assy LH	40
13	554001076AA	T19CKKK40010762701	Remove and reinstall FR door frame seal strip LH	20
14	554001080AA	T19CKKK40010802701	Remove and reinstall FR door guide groove LH	40
15	554001084AA	T19CKKK40010842701	Remove and reinstall FR door seal strip LH	20
16	554001104AA	T19CKKK40011042701	Remove and reinstall FR door LWR weatherstrip LH	20

No.	Part No.	Station No.	Station Name	Labour Time
17	554001099AA	T19CKKK40010992701	Remove and reinstall RR door OTR weatherstrip RH	20
18	554001091AA	T19CKKK40010912751	Remove and reinstall RR door INR weatherstrip RH	0
		Ex:T19CKKK30053472701	Remove and reinstall RR door protector with switch assy RH	40
19	554001087AA	T19CKKK40010872701	Remove and reinstall RR door seal weatherstrip RH	20
20	554001083AA	T19CKKK40010832701	Remove and reinstall RR door guide groove RH	40
21	554001110AA	T19CKKK40011102701	Remove and reinstall RR C-pillar opening seal strip pressure cap RH	10
22	554001100AA	T19CKKK40011002701	Remove and reinstall back door seal strip	20
23	554001079AA	T19CKKK40010792701	Remove and reinstall RR door frame weatherstrip RH	20
24	554001103AA	T19CKKK40011032701	Remove and reinstall RR door LWR seal strip RH	20
25	554001109AA	T19CKKK40011092701	Remove and reinstall RR pillar C door opening pressure cap LH	10
26	554001078AA	T19CKKK40010782701	Remove and reinstall RR door frame seal strip LH	20
27	554001082AA	T19CKKK40010822701	Remove and reinstall RR door guide groove LH	40
28	554001086AA	T19CKKK40010862701	Remove and reinstall RR door seal strip LH	20
29	554001090AA	T19CKKK40010902751	Remove and reinstall RR door INR weatherstrip LH	0
		Ex:T19CKKK30053462701	Remove and reinstall RR door protector with switch assy LH	40
30	554001098AA	T19CKKK40010982701	Remove and reinstall RR door OTR weatherstrip LH	20
31	554001102AA	T19CKKK40011022701	Remove and reinstall RR door LWR weatherstrip LH	20
32	554001088AA	T19CKKK40010882751	Remove and reinstall FR door INR weatherstrip LH	0
		Ex:T19CKKK30053562701	Remove and reinstall FR door protector with switch assy LH	40
33	554001096AA	T19CKKK40010962701	Remove and reinstall FR door OTR weatherstrip LH	20

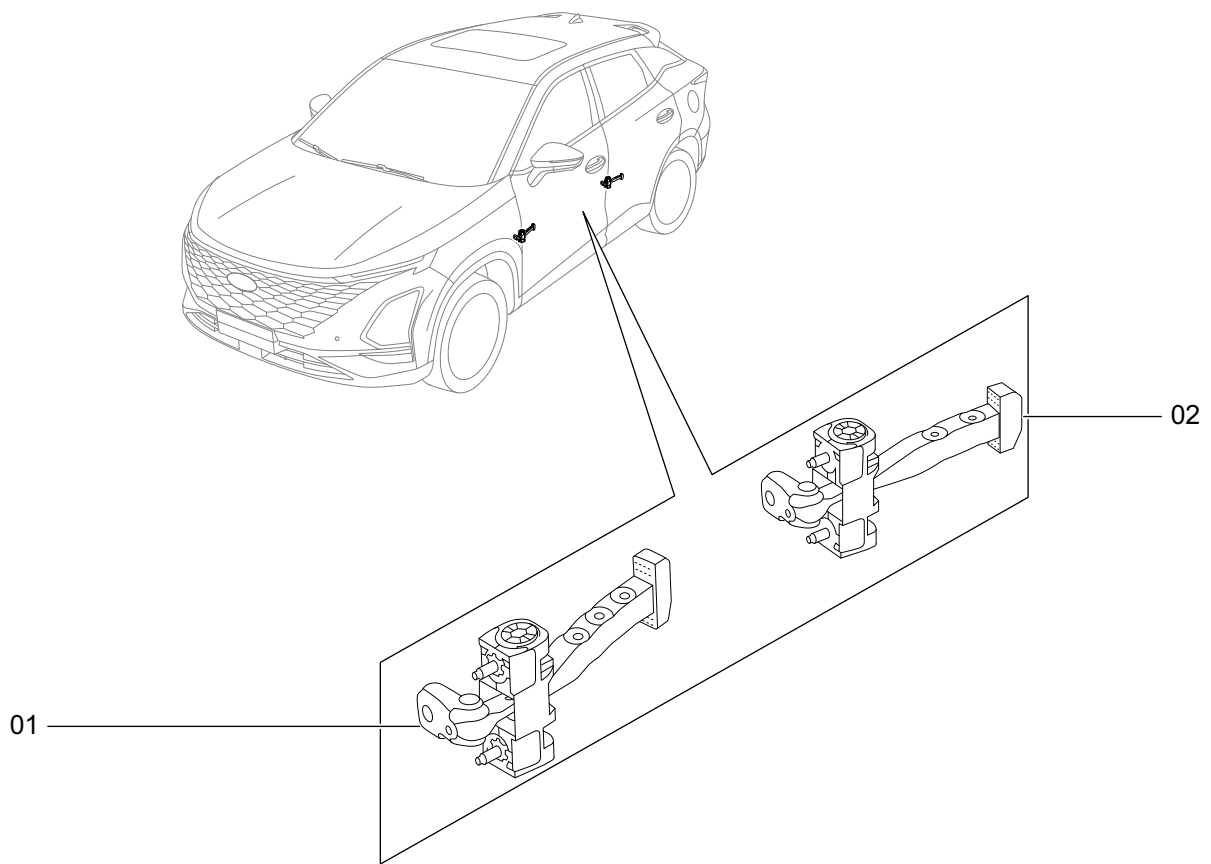
EXTERIOR

Fuel filler cover system	08 - 2
Body accessory	08 - 4
Chassis guard	08 - 6
Support system.....	08 - 8
Door handle.....	08 - 10
Engine hood lock	08 - 12
Door lock system	08 - 14
Back door lock.....	08 - 16
Glass regulator	08 - 18
Glass assy.....	08 - 20
Rear view mirror	08 - 22
Roof exterior trim	08 - 24
Wheel house protector.....	08 - 26
FR bumper assy	08 - 28
Grille system.....	08 - 31
RR bumper assy	08 - 33
Sunroof	08 - 35
Quarter panel UPR trim.....	08 - 37
Spoiler	08 - 39
Wheel brow protector	08 - 41
Side door trim.....	08 - 43
FR windshield LWR trim panel.....	08 - 45
Name plate system	08 - 47
RR end Trim.....	08 - 49



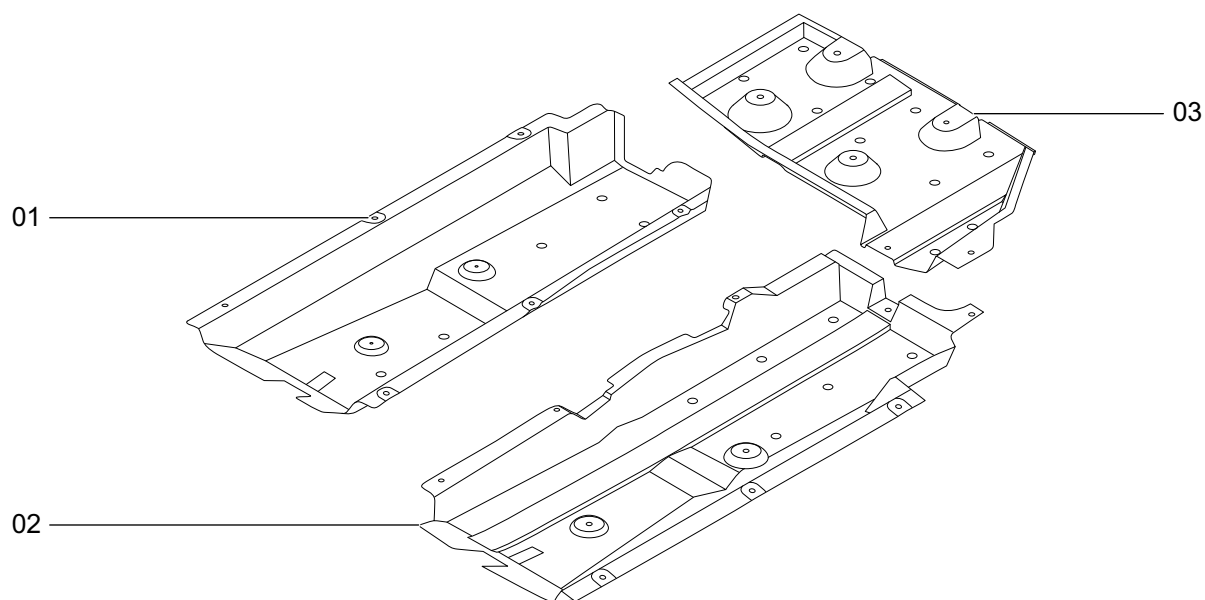
T19080010

No.	Part No.	Station No.	Station Name	Labour Time
01	503000086AA	T19CKKK30000862701	Remove and reinstall Fuel filler cover hinge assy	60
02	T15-5401090	T19CKKK54010902701	Remove and reinstall fuel filler cover cable assy	80
03	503000085AA	T19CKKK30000852701	Remove and reinstall fuel filler cap OTR plate	20



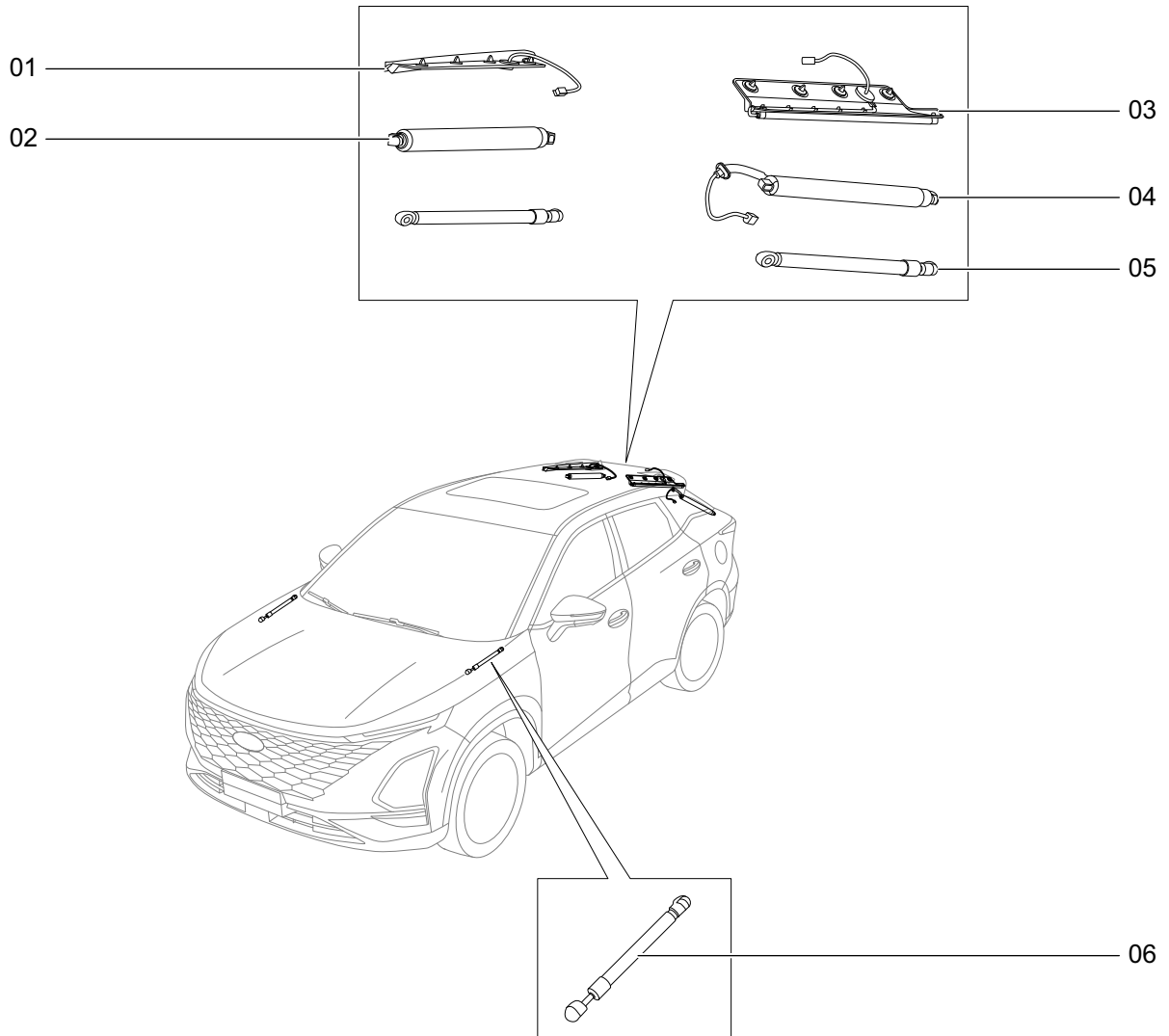
T19080020

No.	Part No.	Station No.	Station Name	Labour Time
01	551001167AA	T19CKKK10011672751	Remove and reinstall FR door limiter assy	20
		Ex:T19CKKK30053562701	Remove and reinstall FR door protector with switch assy LH	40
02	551001206AA	T19CKKK10012062751	Remove and reinstall RR door check assy	20
		Ex:T19CKKK30053462701	Remove and reinstall RR door protector with switch assy LH	40



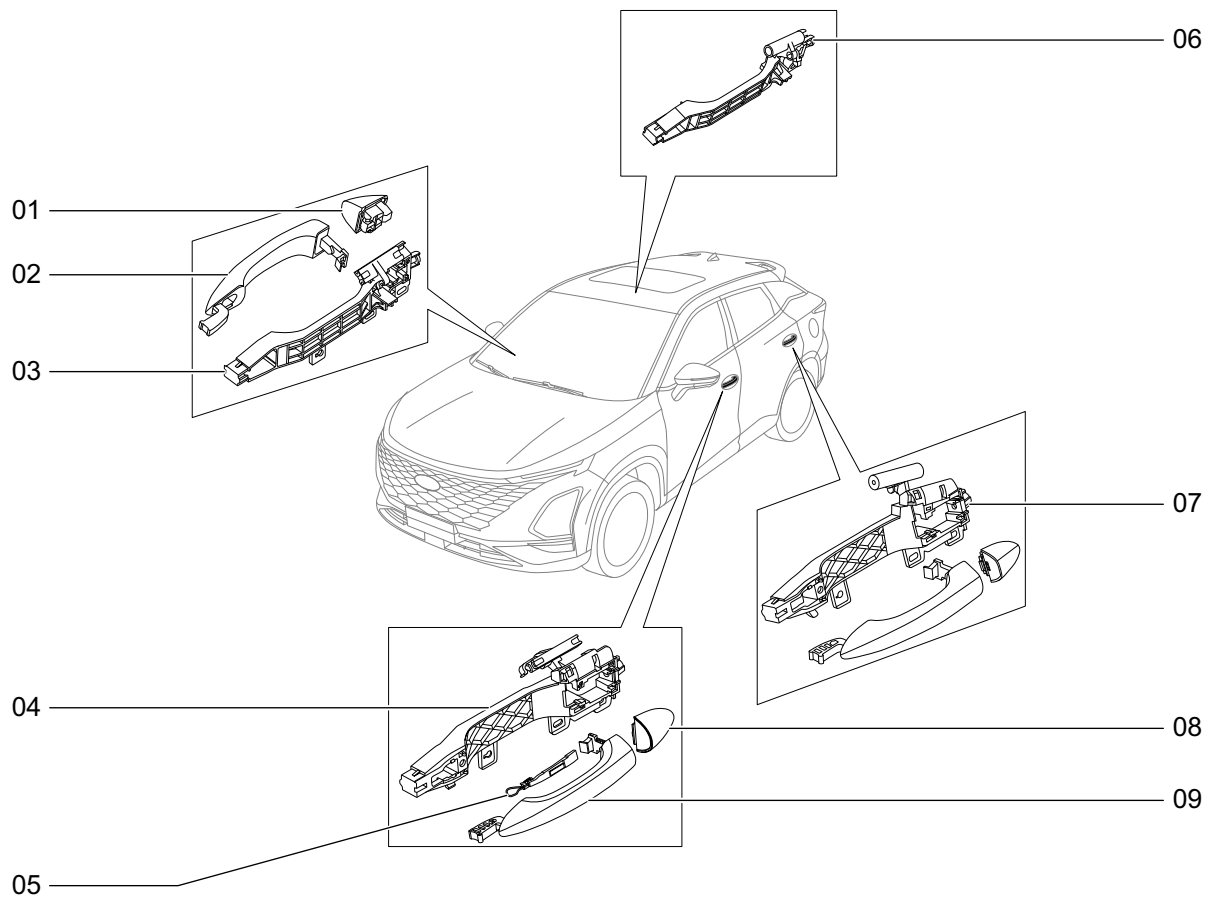
T19080030

No.	Part No.	Station No.	Station Name	Labour Time
01	609001407AA	T19CKKK90014072701	Remove and reinstall Right front chassis guard	20
02	609001406AA	T19CKKK90014062701	Remove and reinstall Left front chassis guard	20
03	609001408AA	T19CKKK90014082701	Remove and reinstall Left rear chassis guard	20



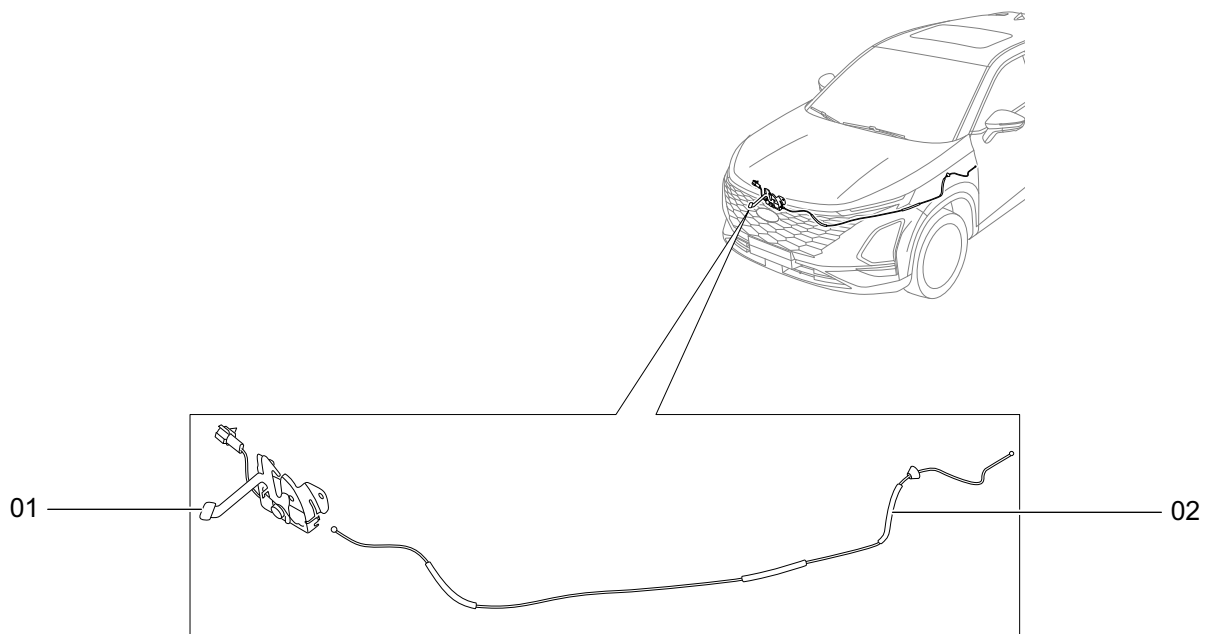
T19080040

No.	Part No.	Station No.	Station Name	Labour Time
01	554001185AA	T19CKKK40011852751	Remove and reinstall jam protection strip assy RH	10
		Ex:T19CKKK30041122701	Remove and reinstall back door protector assy RH	20
02	554001235AA	T19CKKK40012352701	Remove and reinstall balance rod assy RH	20
03	554001184AA	T19CKKK40011842751	Remove and reinstall jam protection strip assy LH	10
		Ex:T19CKKK30041112701	Remove and reinstall Back door protector assy LH	20
04	554001234AA	T19CKKK40012342701	Remove and reinstall electric support rod assy LH	20
05	554001726AA	T19CKKK40017262701	Remove and reinstall back door air spring assy LH	20
06	554001727AA	T19CKKK40017272701	Remove and reinstall Side brkt RR bump RH	20



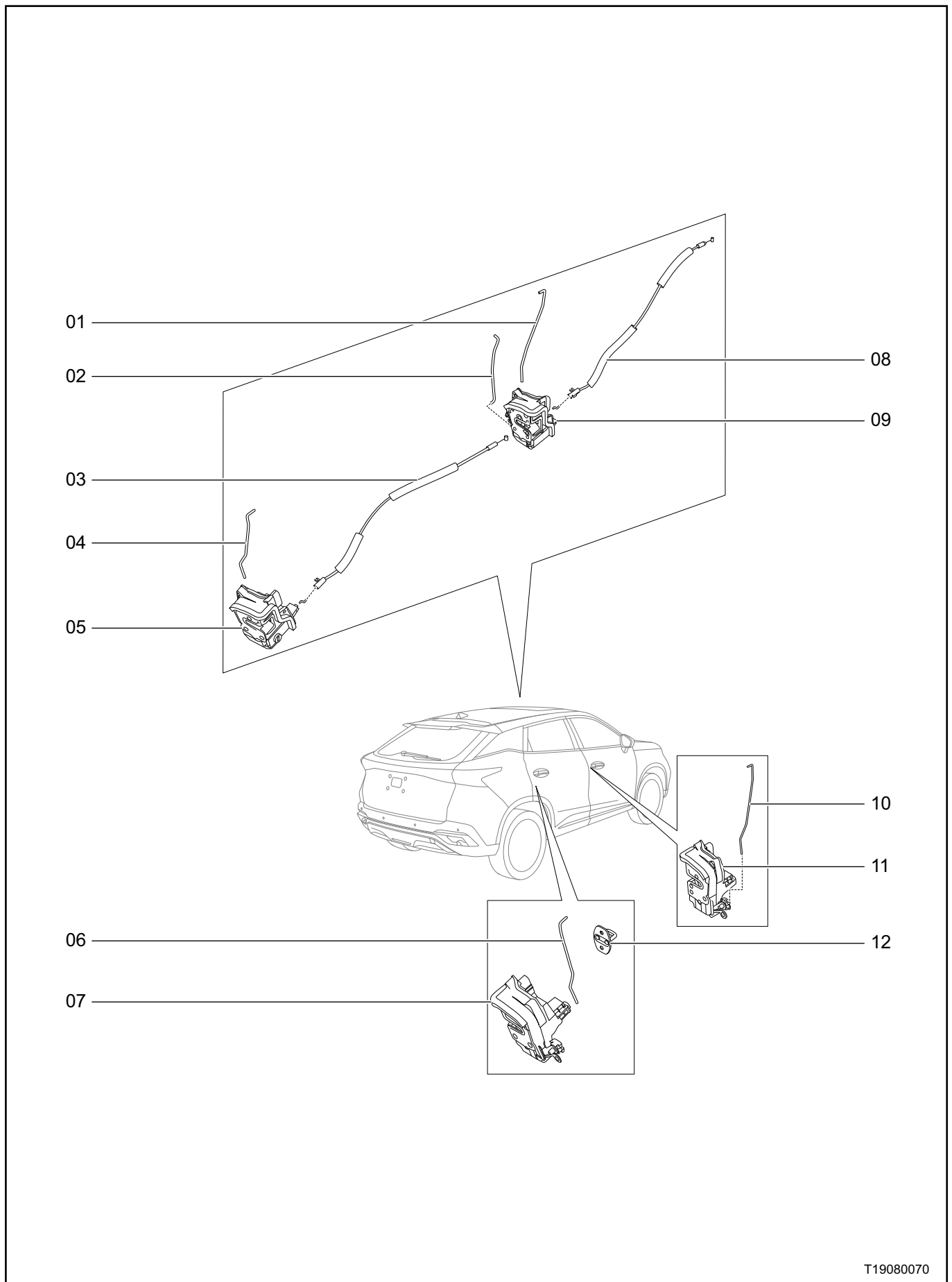
T19080050

No.	Part No.	Station No.	Station Name	Labour Time
01	403004385AADQJ	T19CKKK30043852751	Remove and reinstall Right front door handle cover	30
		Ex:T19CKKK30053572701	Remove and reinstall FR door protector with switch assy RH	40
		T19CKKK30043859201	Paint Right front door handle cover	30
02	403004384AADQJ	T19CKKK30043842751	Remove and reinstall Right door handle	30
		Ex:T19CKKK30053572701	Remove and reinstall FR door protector with switch assy RH	40
		T19CKKK30043849201	Paint Right door handle	30
03	403002412AA	T19CKKK30024122751	Remove and reinstall FR door OTR handle seat assy RH	20
		Ex:T19CKKK30053572701	Remove and reinstall FR door protector with switch assy RH	40
04	403002411AA	T19CKKK30024112751	Remove and reinstall FR door OTR handle seat assy LH	20
		Ex:T19CKKK30053562701	Remove and reinstall FR door protector with switch assy LH	40
05	804000095AA	T19CKKK40000952751	Remove and reinstall door handle sensor	10
		Ex:T19CKKK30043822751	Remove and reinstall Left door handle	30
		Ex:T19CKKK30053562701	Remove and reinstall FR door protector with switch assy LH	40
06	403002414AA	T19CKKK30024142751	Remove and reinstall RR door outside handle seat assy RH	20
		Ex:T19CKKK30053472701	Remove and reinstall RR door protector with switch assy RH	40
07	403002413AA	T19CKKK30024132751	Remove and reinstall RR door OTR handle seat assy LH	20
		Ex:T19CKKK30053462701	Remove and reinstall RR door protector with switch assy LH	40
08	403004383AADQJ	T19CKKK30043832701	Remove and reinstall key cylinder protective cover	10
		T19CKKK30043839201	Paint key cylinder protective cover	30
09	403004382AADQJ	T19CKKK30043822751	Remove and reinstall Left door handle	30
		Ex:T19CKKK30053562701	Remove and reinstall FR door protector with switch assy LH	40
		T19CKKK30043829201	Paint Left door handle	30



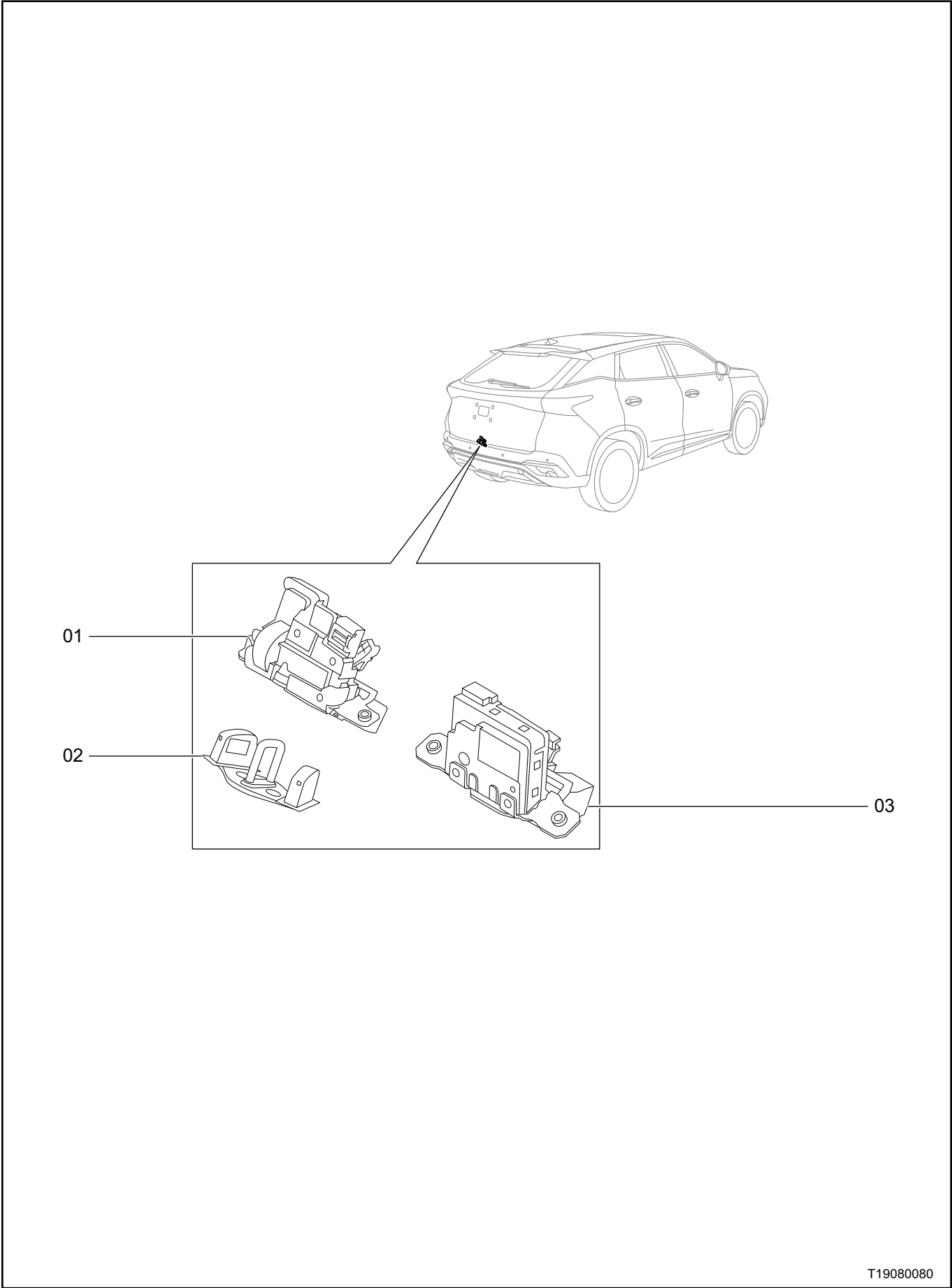
T19080060

No.	Part No.	Station No.	Station Name	Labour Time
01	554001063AA	T19CKKK40010632701	Remove and reinstall FR cover lock assy	30
02	554001066AA	T19CKKK40010662701	Remove and reinstall Engine hood lock cable assy	80



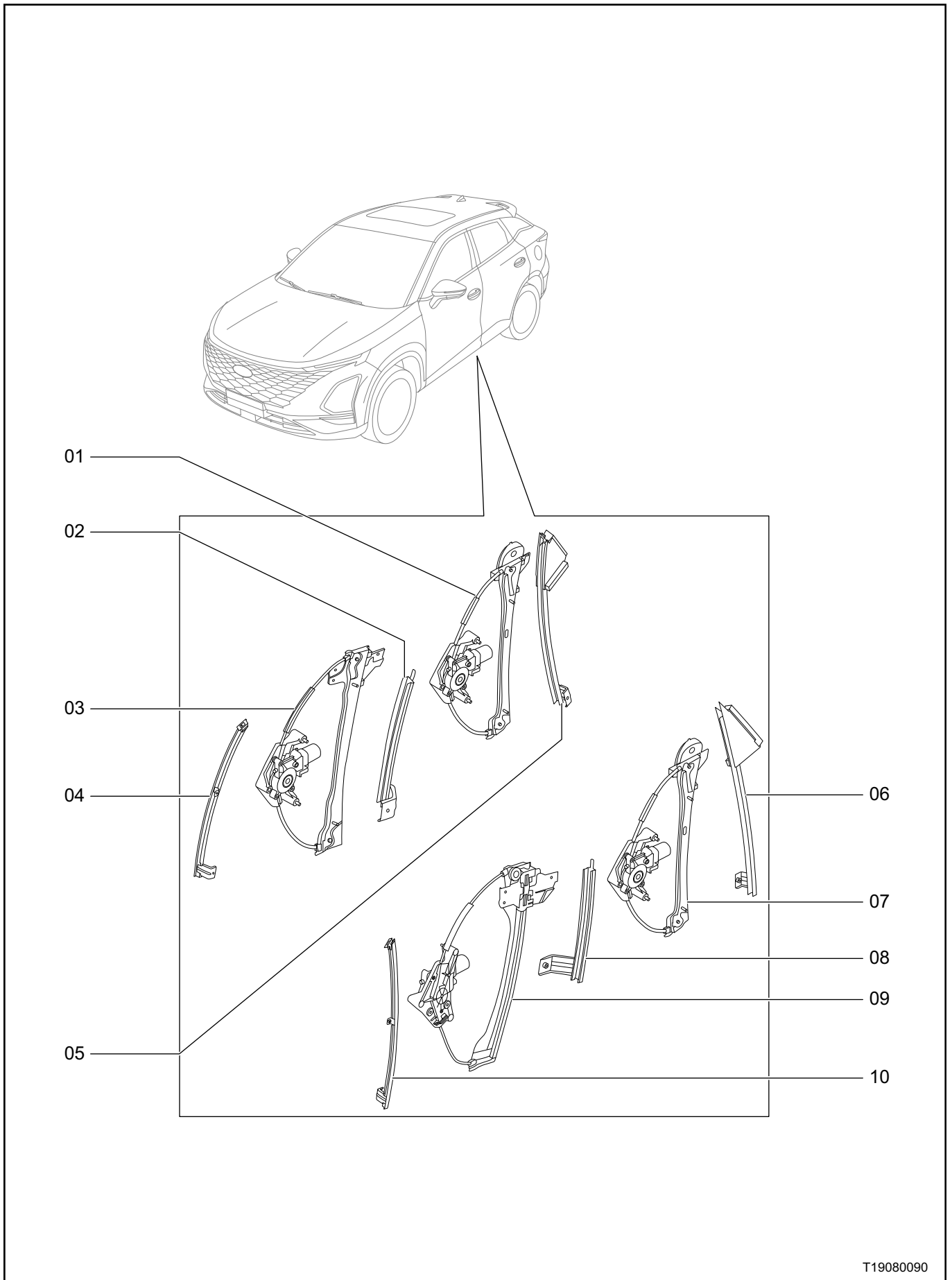
T19080070

No.	Part No.	Station No.	Station Name	Labour Time
01	554001070AA	T19CKKK40010702751	Remove and reinstall FR door OTR cable LH	10
		Ex:T19CKKK30053562701	Remove and reinstall FR door protector with switch assy LH	40
02	554001069AA	T19CKKK40010692751	Remove and reinstall key cylinder lever	10
		Ex:T19CKKK30053562701	Remove and reinstall FR door protector with switch assy LH	40
03	554001068AA	T19CKKK40010682751	Remove and reinstall RR door INR control cable assy LH	10
		Ex:T19CKKK40012672751	Remove and reinstall RR door lock assy LH	20
		Ex:T19CKKK30053462701	Remove and reinstall RR door protector with switch assy LH	40
04	554001072AA	T19CKKK40010722751	Remove and reinstall RR door OTR push rod LH	10
		Ex:T19CKKK30053462701	Remove and reinstall RR door protector with switch assy LH	40
05	554001267AA	T19CKKK40012672751	Remove and reinstall RR door lock assy LH	20
		Ex:T19CKKK30053462701	Remove and reinstall RR door protector with switch assy LH	40
06	554001073AA	T19CKKK40010732751	Remove and reinstall RR door OTR push rod RH	10
		Ex:T19CKKK30053472701	Remove and reinstall RR door protector with switch assy RH	40
07	554001268AA	T19CKKK40012682751	Remove and reinstall RR door lock assy RH	20
		Ex:T19CKKK30053472701	Remove and reinstall RR door protector with switch assy RH	40
08	554001067AA	T19CKKK40010672751	Remove and reinstall Left front door inside open pull cable assembly	10
		Ex:T19CKKK40012652751	Remove and reinstall left front door lock assembly	20
		Ex:T19CKKK30053562701	Remove and reinstall FR door protector with switch assy LH	40
09	554001265AA	T19CKKK40012652751	Remove and reinstall left front door lock assembly	20
		Ex:T19CKKK30053562701	Remove and reinstall FR door protector with switch assy LH	40
10	554001071AA	T19CKKK40010712751	Remove and reinstall FR door OTR push rod RH	10
		Ex:T19CKKK30053572701	Remove and reinstall FR door protector with switch assy RH	40
11	554001266AA	T19CKKK40012662751	Remove and reinstall FR door lock assy RH	20
		Ex:T19CKKK30053572701	Remove and reinstall FR door protector with switch assy RH	40
12	J60-6105270	T19CKKK61052702701	Remove and reinstall side door buckle	10



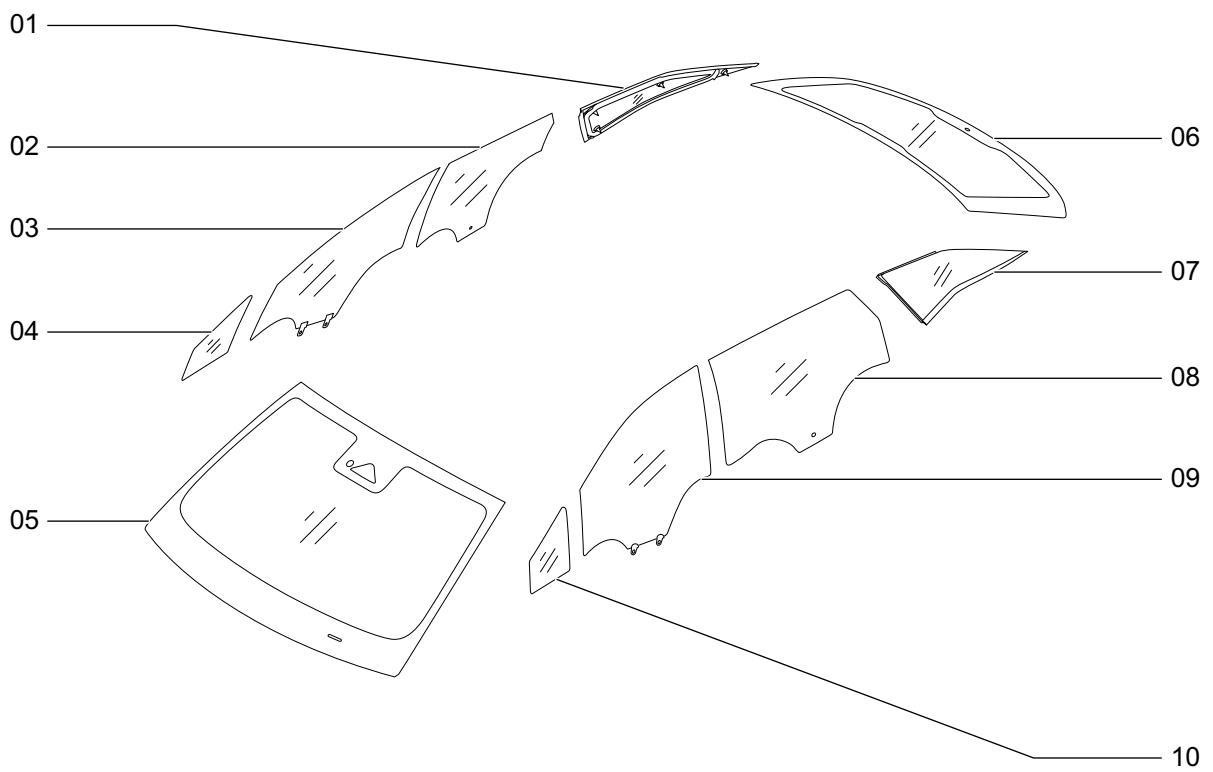
T19080080

No.	Part No.	Station No.	Station Name	Labour Time
01	554001715AA	T19CKKK40017152751	Remove and reinstall cinching back door latch	20
		Ex:T19CKKK30041132751	Remove and reinstall Back door LWR protector assy	20
		Ex:T19CKKK30041122701	Remove and reinstall back door protector assy RH	20
		Ex:T19CKKK30041112701	Remove and reinstall Back door protector assy LH	20
02	554000280AA	T19CKKK40002802701	Remove and reinstall back door lock striker	20
03	554000283AA	T19CKKK40002832751	Remove and reinstall Back door lock assy	20
		Ex:T19CKKK30041132751	Remove and reinstall Back door LWR protector assy	20
		Ex:T19CKKK30041122701	Remove and reinstall back door protector assy RH	20
		Ex:T19CKKK30041112701	Remove and reinstall Back door protector assy LH	20



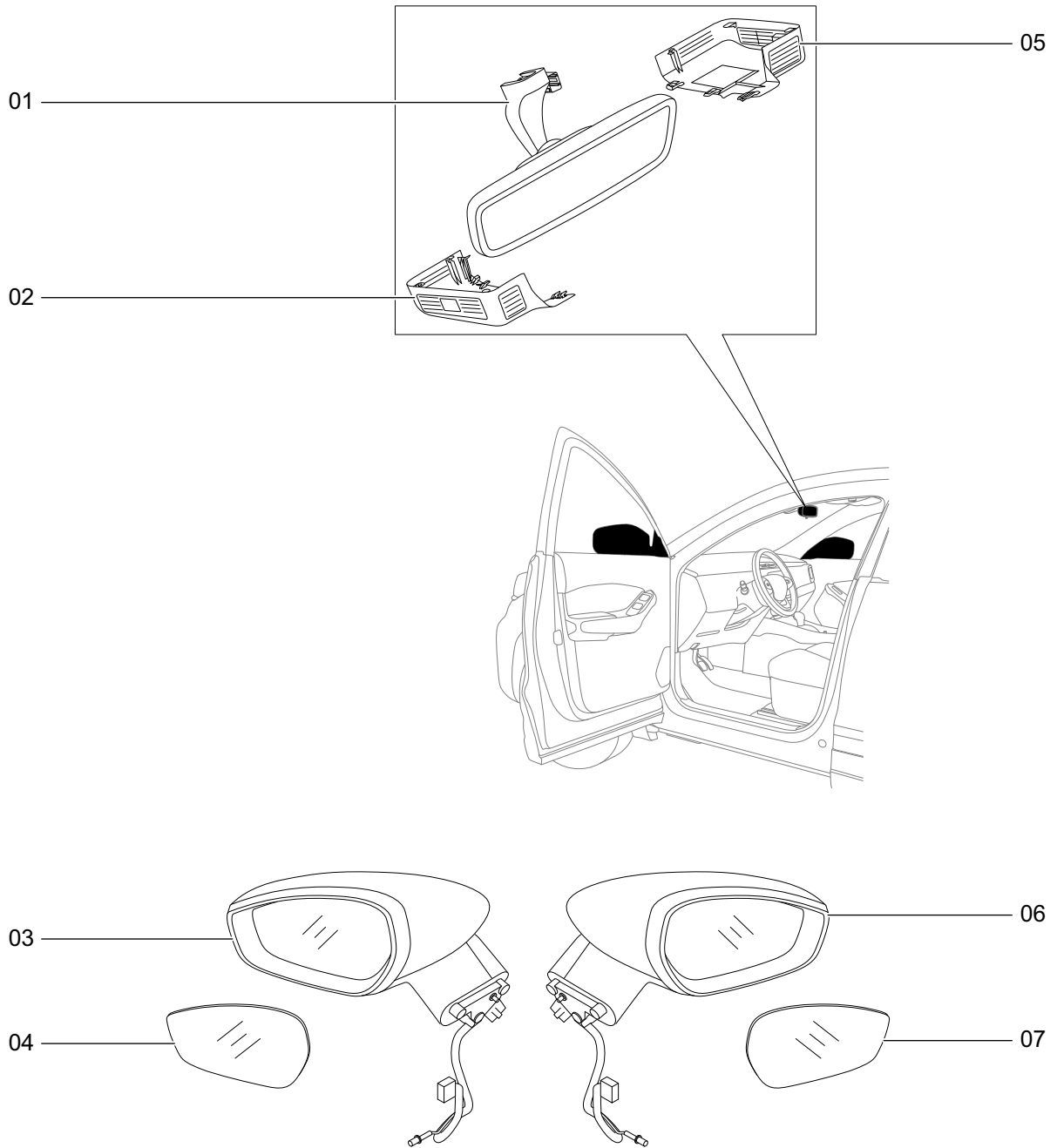
T19080090

No.	Part No.	Station No.	Station Name	Labour Time
01	554000969AA	T19CKKK40009692751	Remove and reinstall RR DOOR POWER REGULARTOR RH	20
		Ex:T19CKKK30053472701	Remove and reinstall RR door protector with switch assy RH	40
02	551001230AA	T19CKKK10012302751	Remove and reinstall FR door glass RH RR LWR rail assy	20
		Ex:T19CKKK50002752751	Remove and reinstall FR side door glass assy RH	20
		Ex:T19CKKK30053572701	Remove and reinstall FR door protector with switch assy RH	40
03	554000967AA	T19CKKK40009672751	Remove and reinstall FR rope wheel type glass regulator assy RH	20
		Ex:T19CKKK30053572701	Remove and reinstall FR door protector with switch assy RH	40
04	551001232AA	T19CKKK10012322751	Remove and install right front door front glass guide rail assembly	20
		Ex:T19CKKK30053572701	Remove and reinstall FR door protector with switch assy RH	40
05	551001226AA	T19CKKK10012262751	Remove and reinstall RR door glass RH RR LWR rail assy	20
		Ex:T19CKKK50002772751	Remove and reinstall RR door glass assy RH	20
		Ex:T19CKKK30053472701	Remove and reinstall RR door protector with switch assy RH	40
06	551001208AA	T19CKKK10012082751	Remove and reinstall RR door glass LH RR LWR rail assy	20
		Ex:T19CKKK50002762751	Remove and reinstall RR side door glass assy LH	20
		Ex:T19CKKK30053462701	Remove and reinstall RR door protector with switch assy LH	40
07	554000968AA	T19CKKK40009682751	Remove and reinstall RR rope wheel type glass regulator assy LH	20
		Ex:T19CKKK30053462701	Remove and reinstall RR door protector with switch assy LH	40
08	551001229AA	T19CKKK10012292751	Remove and reinstall FR door glass LH RR LWR rail assy	20
		Ex:T19CKKK50002742751	Remove and reinstall FR door glass assy LH	20
		Ex:T19CKKK30053562701	Remove and reinstall FR door protector with switch assy LH	40
09	554000966AA	T19CKKK40009662751	Remove and reinstall FR rope wheel type glass regulator assy LH	20
		Ex:T19CKKK30053562701	Remove and reinstall FR door protector with switch assy LH	40
10	551001231AA	T19CKKK10012312751	Remove and install left front door front glass guide rail assembly	20
		Ex:T19CKKK30053562701	Remove and reinstall FR door protector with switch assy LH	40



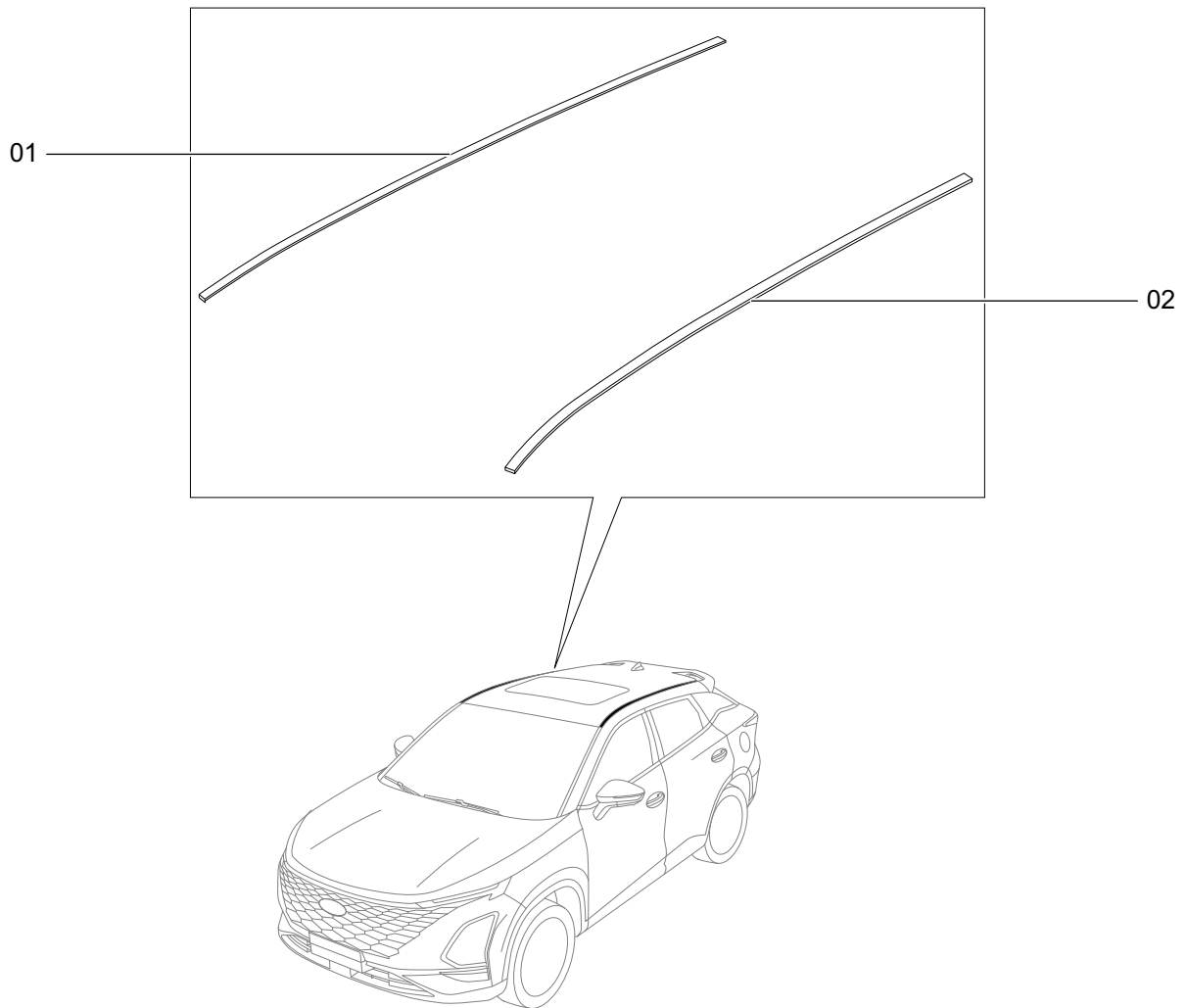
T19080100

No.	Part No.	Station No.	Station Name	Labour Time
01	555000299AA	T19CKKK50002992751	Remove and reinstall RR quarter window assy RH	30
		Ex:T19CKKK30041432761	Remove and reinstall pillar C UPR protector assy RH	20
		Ex:T19CKKK30041452761	Remove and reinstall C-pillar LWR protector assy RH	20
		Ex:T19CKKK20037112701	Remove and reinstall Right rear seat back	30
02	555000277AA	T19CKKK50002772751	Remove and reinstall RR door glass assy RH	20
		Ex:T19CKKK30053472701	Remove and reinstall RR door protector with switch assy RH	40
03	555000275AA	T19CKKK50002752751	Remove and reinstall FR side door glass assy RH	20
		Ex:T19CKKK30053572701	Remove and reinstall FR door protector with switch assy RH	40
04	555000306AA	T19CKKK50003062751	Remove and reinstall Right front side door corner window assembly	20
		Ex:T19CKKK10012322751	Remove and install right front door front glass guide rail assembly	20
		Ex:T19CKKK30053572701	Remove and reinstall FR door protector with switch assy RH	40
05	555000321AA	T19CKKK50003212701	Remove and reinstall FR windshield assy	240
	555000292AA	T19CKKK50002922701	Remove and reinstall FR windshield assy	240
	555000475AA	T19CKKK50004752701	Remove and reinstall FR windshield assy	240
06	555000293AA	T19CKKK50002932701	Remove and reinstall Tail door glass assy	220
07	555000298AA	T19CKKK50002982751	Remove and reinstall RR quarter window assy LH	30
		Ex:T19CKKK30041422751	Remove and reinstall c-pillar UPR protector assy LH	20
		Ex:T19CKKK30041442751	Remove and reinstall Pillar C LWR protector assy LH	20
		Ex:T19CKKK20037052711	Remove and reinstall RR seat belt buckle assy LH	30
08	555000276AA	T19CKKK50002762751	Remove and reinstall RR side door glass assy LH	20
		Ex:T19CKKK30053462701	Remove and reinstall RR door protector with switch assy LH	40
09	555000274AA	T19CKKK50002742751	Remove and reinstall FR door glass assy LH	20
		Ex:T19CKKK30053562701	Remove and reinstall FR door protector with switch assy LH	40
10	555000305AA	T19CKKK50003052751	Remove and reinstall Left front side door corner window assembly	20
		Ex:T19CKKK10012312751	Remove and install left front door front glass guide rail assembly	20
		Ex:T19CKKK30053562701	Remove and reinstall FR door protector with switch assy LH	40



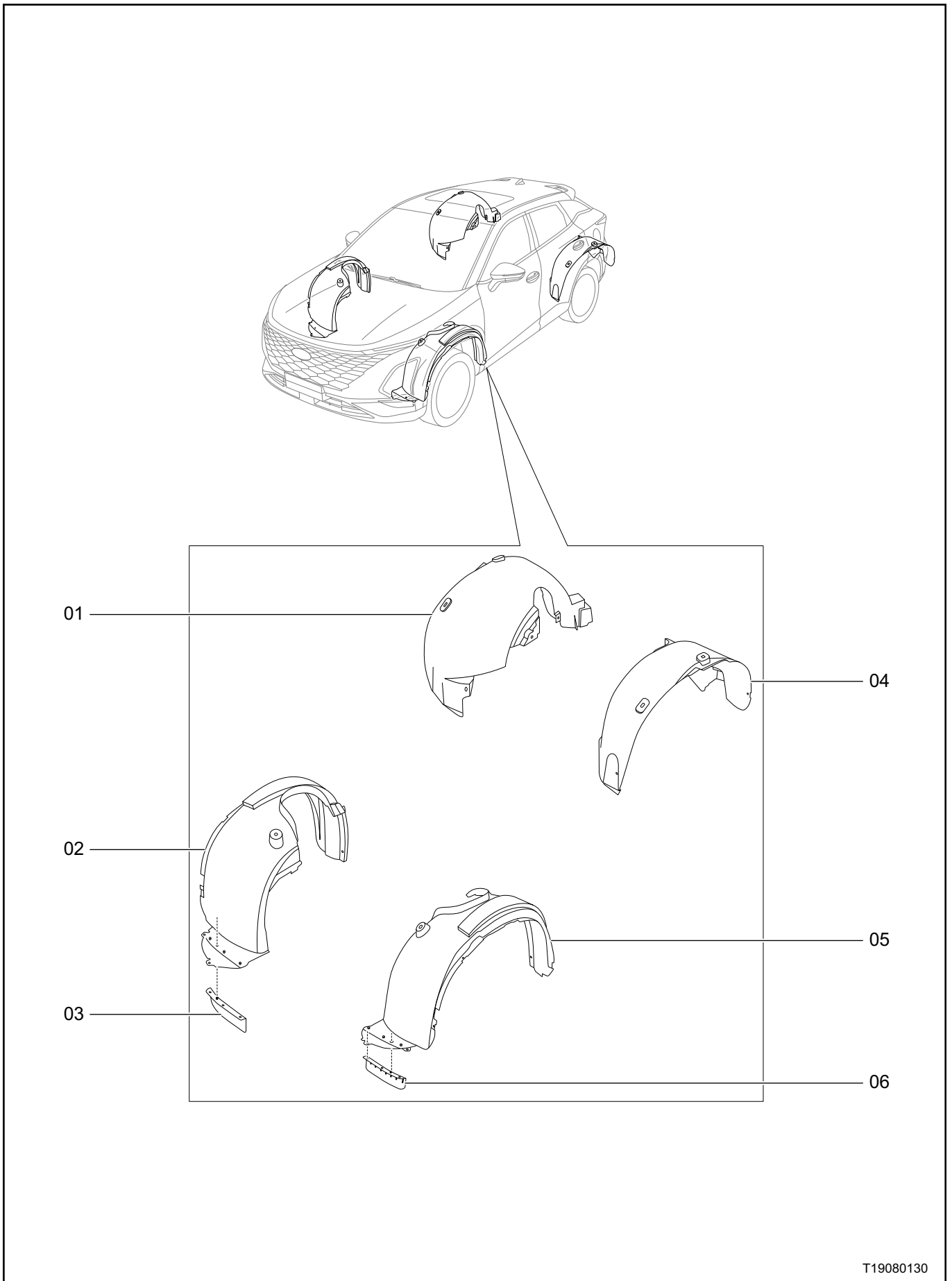
T19080110

No.	Part No.	Station No.	Station Name	Labour Time
01	J26-8201010	T19CKKK82010102701	Remove and reinstall INR RR view miRRor assy	20
	601000886AA	T19CKKK10008862701	Remove and reinstall INR RR view miRRor assy	20
02	601000604AAABK	T19CKKK10006042701	Remove and reinstall INR RR view mirror cover LH	20
03	601000430AABCE	T19CKKK10004302751	Remove and reinstall OTR RR view mirror assy LH	20
		Ex:T19CKKK30053562701	Remove and reinstall FR door protector with switch assy LH	40
		T19CKKK10004309201	Paint OTR RR view mirror assy LH	40
04	601001085AA	T19CKKK10010852701	Remove and reinstall OTR RR view mirror lens LH	20
05	601000715AAABK	T19CKKK10007152701	Remove and reinstall inside rearview mirror right guard	20
06	601000431AABCE	T19CKKK10004312751	Remove and reinstall OTR RR view miRRor assy RH	20
		Ex:T19CKKK30053572701	Remove and reinstall FR door protector with switch assy RH	40
		T19CKKK10004319201	Paint OTR RR view mirror assy RH	40
07	601001090AA	T19CKKK10010902701	Remove and reinstall OTR RR view mirror lens RH	20



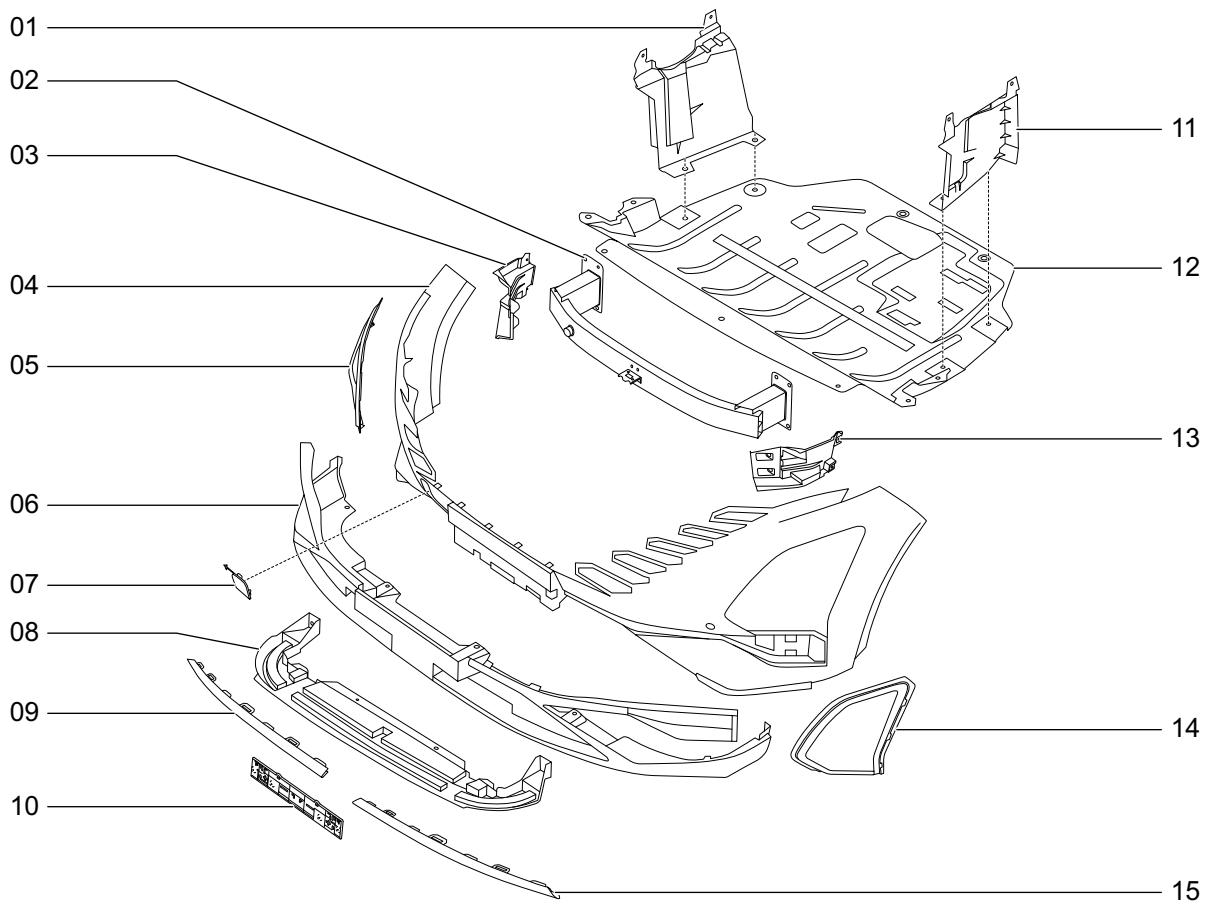
T19080120

No.	Part No.	Station No.	Station Name	Labour Time
01	609001184AA	T19CKKK90011842701	Remove and reinstall roof trim strip assy RH	20
02	609001183AA	T19CKKK90011832701	Remove and reinstall roof trim strip assy LH	20



T19080130

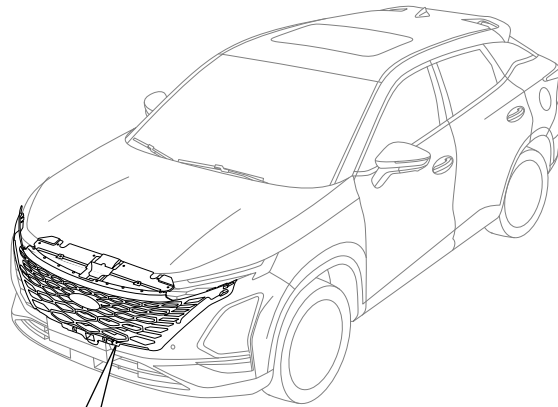
No.	Part No.	Station No.	Station Name	Labour Time
01	602001693AA	T19CKKK20016932751	Remove and reinstall RR wheel house protector assy RH	30
		Ex:T19CKKK90011792701	Remove and reinstall RR wheel arch trim assy RH	10
02	602001691AA	T19CKKK20016912751	Remove and reinstall FR wheel house protector assy RH	30
		Ex:T19CKKK90011772701	Remove and reinstall FR wheel arch trim assy RH	10
03	602000269AA	T19CKKK20002692701	Remove and reinstall FR wheel wind deflector RH	10
04	602001692AA	T19CKKK20016922751	Remove and reinstall RR wheel house protector assy LH	30
		Ex:T19CKKK90011782701	Remove and reinstall RR wheel arch trim assy LH	10
05	602001690AA	T19CKKK20016902751	Remove and reinstall FR wheel house protector assy LH	30
		Ex:T19CKKK90011762701	Remove and reinstall FR wheel arch trim assy LH	10
06	602000268AA	T19CKKK20002682701	Remove and reinstall FR wheel wind deflector LH	10



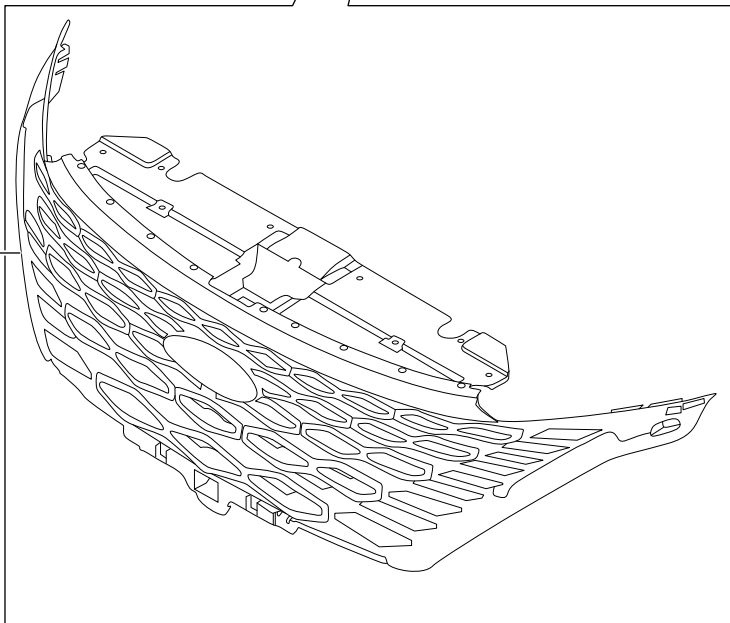
T19080140

No.	Part No.	Station No.	Station Name	Labour Time
01	602002494AA	T19CKKK20024942701	Remove and reinstall Engine right side guard plate	20
02	501004537AA	T19CKKK10045372751	Remove and reinstall guard beam assembly	20
		Ex:T19CKKK20027772701	Remove and reinstall FR bumper UPR body	50
03	602002161AA	T19CKKK20021612751	Remove and reinstall Front bumper right air curtain	20
		Ex:T19CKKK20027772701	Remove and reinstall FR bumper UPR body	50
04	602002777AADQJ	T19CKKK20027772701	Remove and reinstall FR bumper UPR body	50
		T19CKKK20027779201	Paint FR bumper UPR body	120
05	602002159AA	T19CKKK20021592751	Remove and reinstall Right headlight trim cover	20
		Ex:T19CKKK20027772701	Remove and reinstall FR bumper UPR body	50
06	602002156AA	T19CKKK20021562701	Remove and reinstall FR bumper LWR body	50
07	602002157AADQJ	T19CKKK20021572701	Remove and reinstall Front bumper tow hook plug cover	10
		T19CKKK20021579201	Paint Front bumper tow hook plug cover	30
08	602001888AA	T19CKKK20018882751	Remove and reinstall leg protector crossmember	20
		Ex:T19CKKK20027772701	Remove and reinstall FR bumper UPR body	50
09	602002165AA	T19CKKK20021652751	Remove and reinstall Front bumper to the right	20
		Ex:T19CKKK20027772701	Remove and reinstall FR bumper UPR body	50
	602002163AA	T19CKKK20021632751	Remove and reinstall Front bumper to the right	20
		Ex:T19CKKK20027772701	Remove and reinstall FR bumper UPR body	50
	602002167AA	T19CKKK20021672751	Remove and reinstall Front bumper to the right	20
		Ex:T19CKKK20027772701	Remove and reinstall FR bumper UPR body	50
10	S21-2803405	T19CKKK28034052701	Remove and reinstall front plate mounting plate	20
11	602002493AA	T19CKKK20024932701	Remove and reinstall Left engine guard plate	20
12	602001929AA	T19CKKK20019292701	Remove and reinstall engine LWR protector	20
13	602002160AA	T19CKKK20021602751	Remove and reinstall Front bumper left air curtain	20
		Ex:T19CKKK20027772701	Remove and reinstall FR bumper UPR body	50
14	602002158AA	T19CKKK20021582751	Remove and reinstall Left headlight trim cover	20
		Ex:T19CKKK20027772701	Remove and reinstall FR bumper UPR body	50
15	602002164AA	T19CKKK20021642751	Remove and reinstall Front bumper to the left	20
		Ex:T19CKKK20027772701	Remove and reinstall FR bumper UPR body	50
	602002162AA	T19CKKK20021622751	Remove and reinstall Front bumper to the left	20

No.	Part No.	Station No.	Station Name	Labour Time
		Ex:T19CKKK20027772701	Remove and reinstall FR bumper UPR body	50
	602002166AA	T19CKKK20021662751	Remove and reinstall Front bumper to the left	20
		Ex:T19CKKK20027772701	Remove and reinstall FR bumper UPR body	50

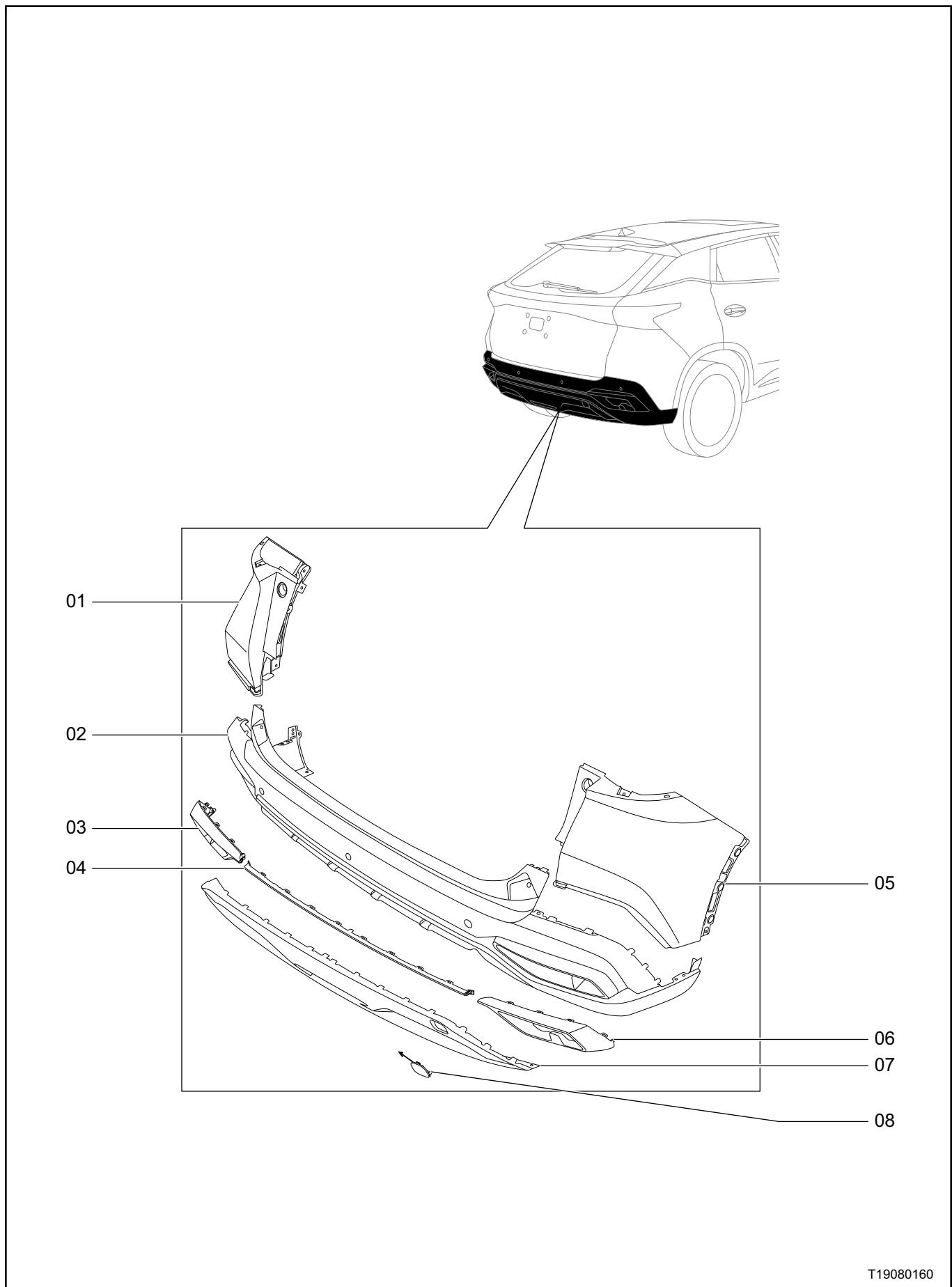


01



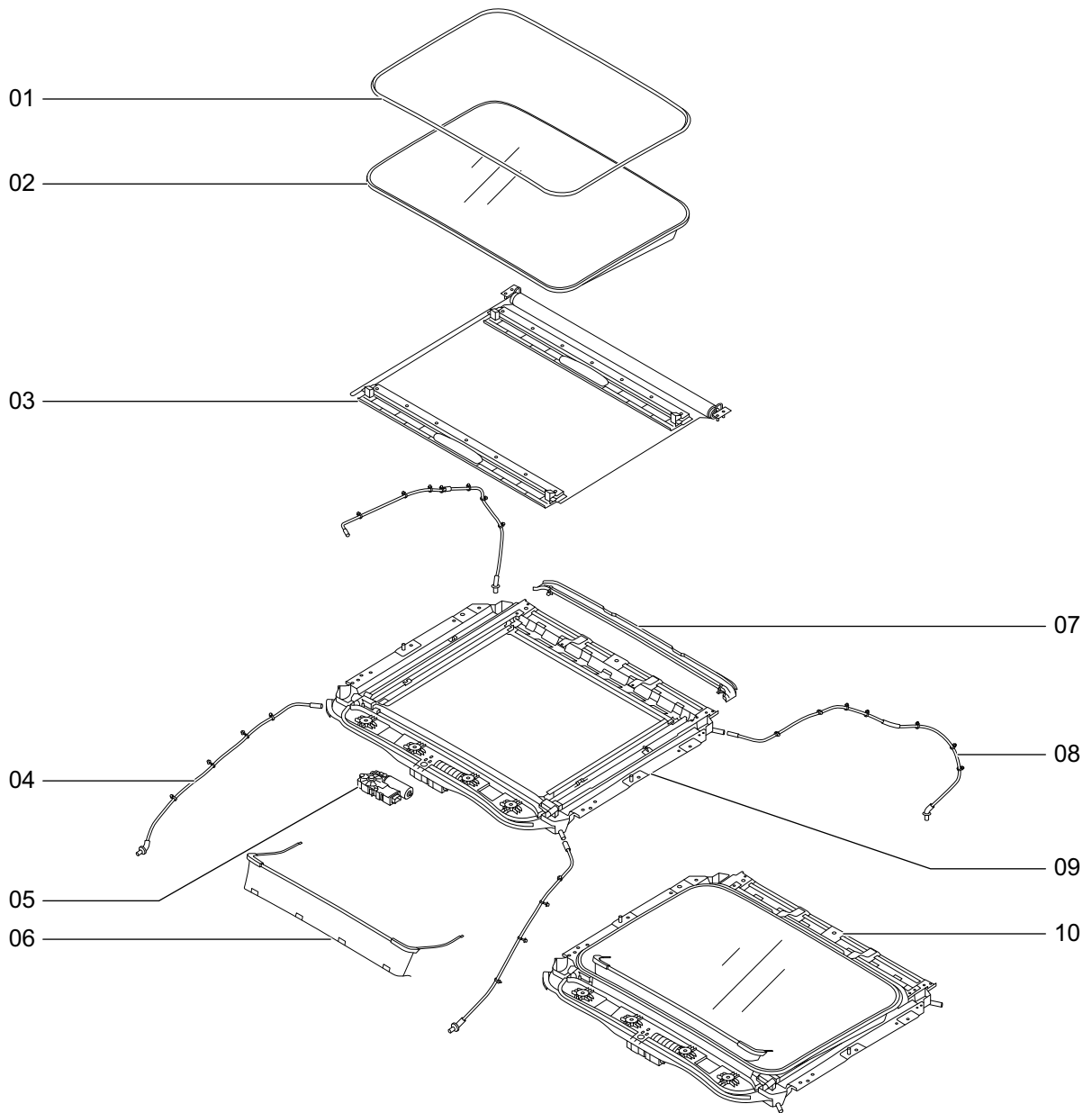
T19080150

No.	Part No.	Station No.	Station Name	Labour Time
01	602002028AAABW	T19CKKK20020282751	Remove and reinstall New Khaki white Radiator Grille assembly	20
		Ex:T19CKKK20027772701	Remove and reinstall FR bumper UPR body	50
	602001739AAABW	T19CKKK20017392751	Remove and reinstall New Khaki white Radiator Grille assembly	20
		Ex:T19CKKK20027772701	Remove and reinstall FR bumper UPR body	50



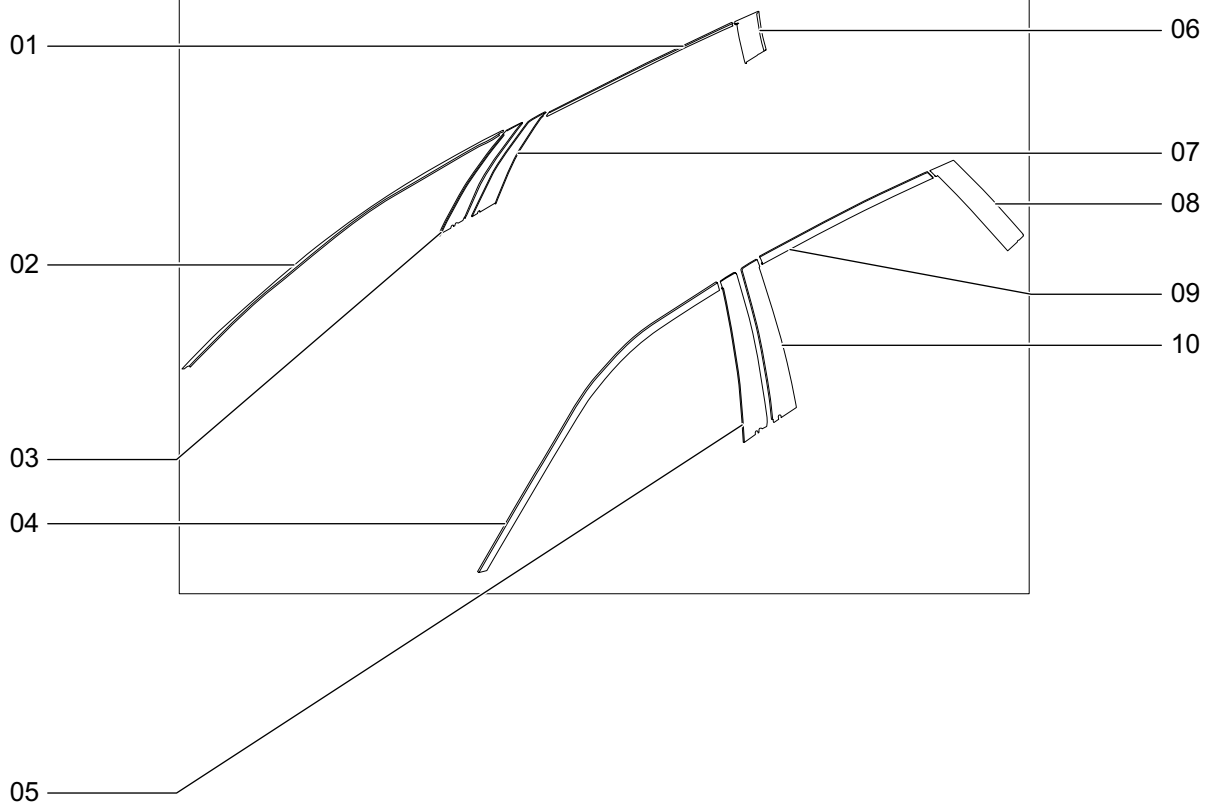
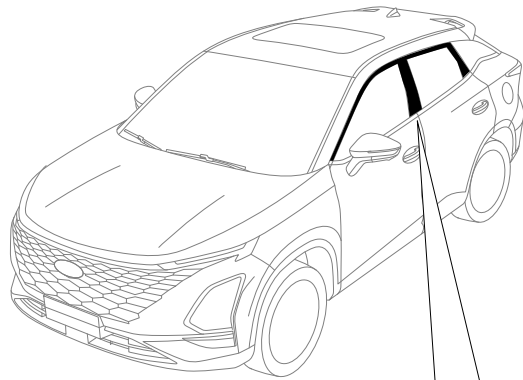
T19080160

No.	Part No.	Station No.	Station Name	Labour Time
01	602002017AADQJ	T19CKKK20020172751	Remove and reinstall RR bumper end body LH	20
		Ex:T19CKKK20026492701	Remove and reinstall RR bumper LWR body	50
02	602002649AA	T19CKKK20026492701	Remove and reinstall RR bumper LWR body	50
03	602002025AA	T19CKKK20020252751	Remove and reinstall RR bumper exhaust pipe trim cover LH	20
		Ex:T19CKKK20026492701	Remove and reinstall RR bumper LWR body	50
04	602002027AA	T19CKKK20020272751	Remove and reinstall Rear bumper middle strip	20
		Ex:T19CKKK20026492701	Remove and reinstall RR bumper LWR body	50
05	602002018AADQJ	T19CKKK20020182751	Remove and reinstall RR bumper end body RH	20
		Ex:T19CKKK20026492701	Remove and reinstall RR bumper LWR body	50
06	602002026AA	T19CKKK20020262751	Remove and reinstall RR bumper exhaust pipe trim cover RH	20
		Ex:T19CKKK20026492701	Remove and reinstall RR bumper LWR body	50
07	602002020AA	T19CKKK20020202751	Remove and reinstall RR bumper LWR trim panel	20
		Ex:T19CKKK20026492701	Remove and reinstall RR bumper LWR body	50
08	602002021AA	T19CKKK20020212701	Remove and reinstall RR towing hook block cover	10
		T19CKKK20020219201	Paint RR towing hook block cover	20



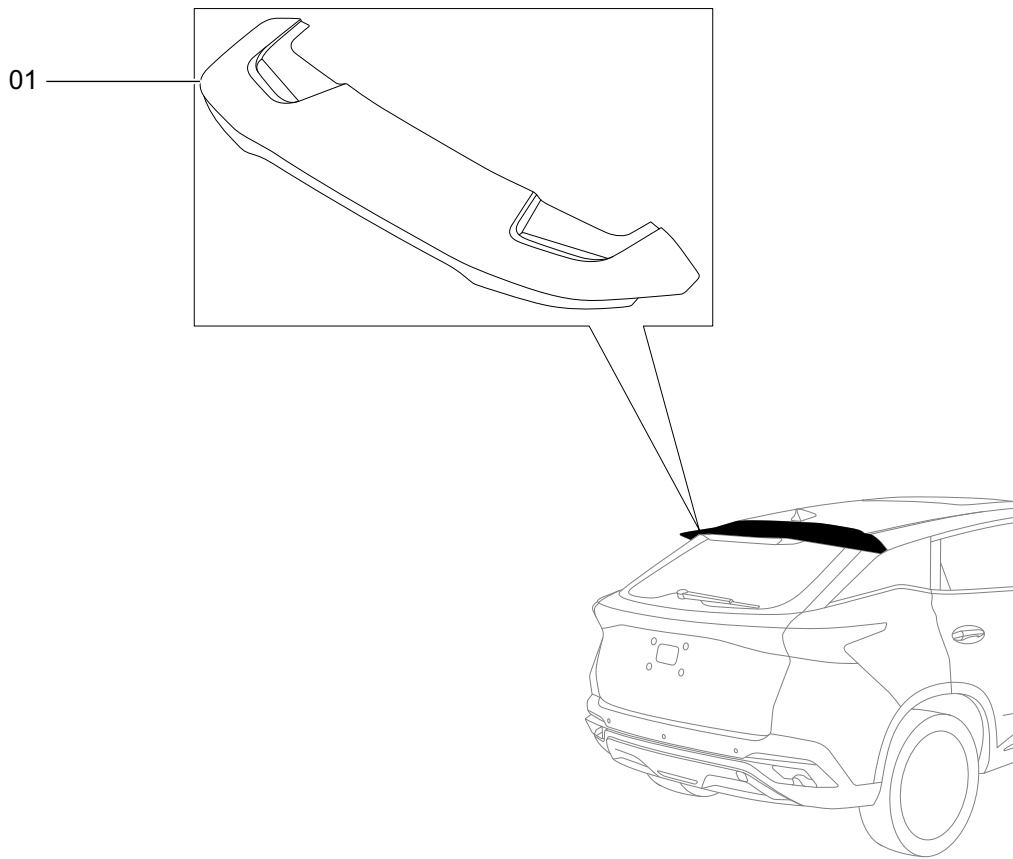
T19080170

No.	Part No.	Station No.	Station Name	Labour Time
01	603000203AA	T19CKKK30002032751	Remove and reinstall sunroof seal strip	10
		Ex:T19CKKK30041282701	Remove and reinstall roof assy	180
02	603000198AA	T19CKKK30001982751	Remove and reinstall sunroof glass	40
		Ex:T19CKKK30041282701	Remove and reinstall roof assy	180
03	603000201AA	T19CKKK30002012751	Remove and reinstall sunroof sunshade assy	30
		Ex:T19CKKK30001572751	Remove and reinstall sunroof assy	40
		Ex:T19CKKK30041282701	Remove and reinstall roof assy	180
04	603000153AA	T19CKKK30001532751	Remove and reinstall FR sunroof water guide pipe assy	10
		Ex:T19CKKK30041282701	Remove and reinstall roof assy	180
05	603000200AA	T19CKKK30002002751	Remove and reinstall sunroof glass motor assy	30
		Ex:T19CKKK50006122701	Remove and reinstall FR INR dome light assy	20
06	603000202AA	T19CKKK30002022701	Remove and reinstall sunroof deflector	30
07	603000204AA	T19CKKK30002042751	Remove and reinstall Skylight channel	20
		Ex:T19CKKK30041282701	Remove and reinstall roof assy	180
08	603000154AA	T19CKKK30001542751	Remove and reinstall Rear skylight aqueduct	10
		Ex:T19CKKK30041282701	Remove and reinstall roof assy	180
09	603000199AA	T19CKKK30001992751	Remove and reinstall skylight skeleton	70
		Ex:T19CKKK30001572751	Remove and reinstall sunroof assy	40
		Ex:T19CKKK30041282701	Remove and reinstall roof assy	180
10	603000157AA	T19CKKK30001572751	Remove and reinstall sunroof assy	40
		Ex:T19CKKK30041282701	Remove and reinstall roof assy	180



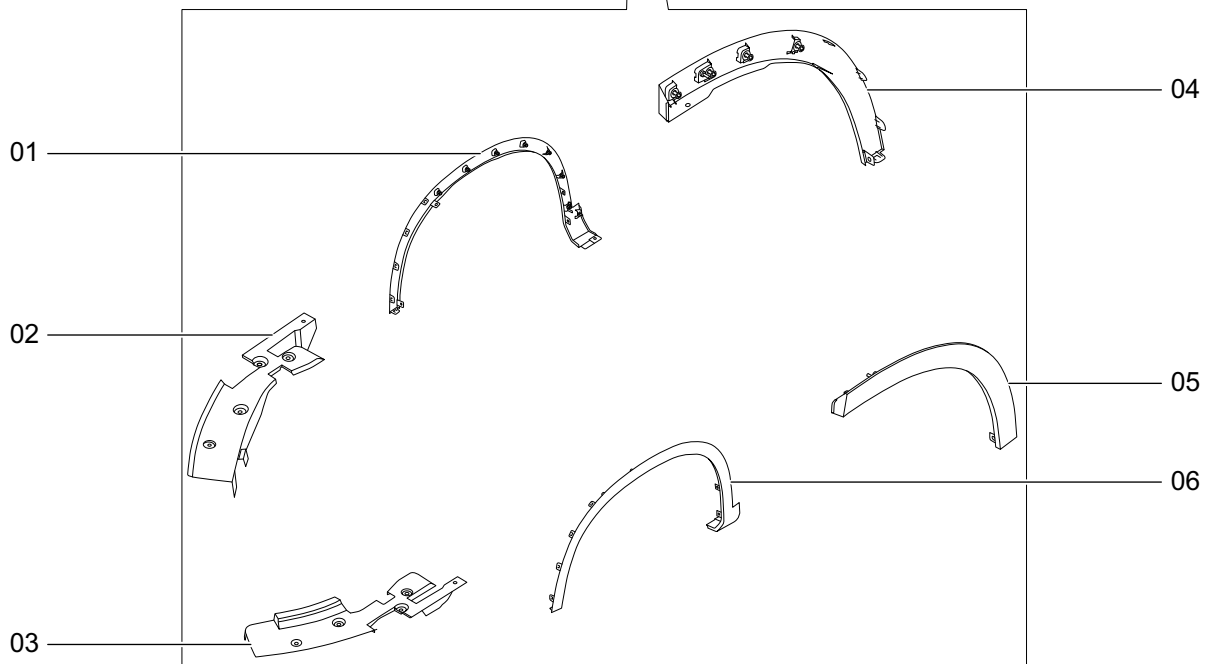
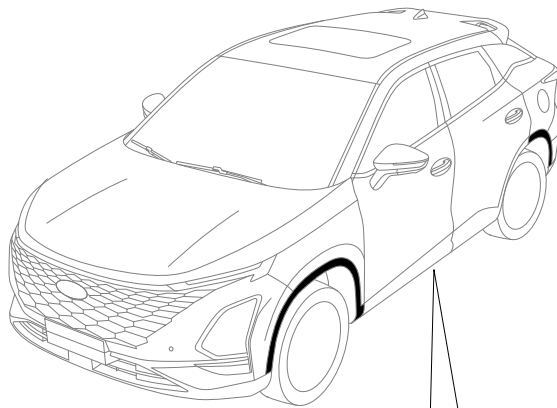
T19080180

No.	Part No.	Station No.	Station Name	Labour Time
01	609001066AA	T19CKKK90010662701	Remove and reinstall RR door UPR black film RH	40
02	609001064AA	T19CKKK90010642701	Remove and reinstall FR door UPR black film RH	40
03	609001058AA	T19CKKK90010582701	Remove and reinstall FR door RR black film RH	40
04	609001063AA	T19CKKK90010632701	Remove and reinstall FR door UPR black film LH	40
05	609001057AA	T19CKKK90010572701	Remove and reinstall FR door RR black film LH	40
06	609001062AA	T19CKKK90010622701	Remove and reinstall RR door RR black film RH	40
07	609001060AA	T19CKKK90010602751	Remove and reinstall RR door FR black film RH	40
		Ex:T19CKKK40010992701	Remove and reinstall RR door OTR weatherstrip RH	20
08	609001061AA	T19CKKK90010612701	Remove and reinstall RR door RR black film LH	40
09	609001065AA	T19CKKK90010652701	Remove and reinstall RR door UPR black film LH	40
10	609001059AA	T19CKKK90010592751	Remove and reinstall RR door FR black film LH	40
		Ex:T19CKKK40010982701	Remove and reinstall RR door OTR weatherstrip LH	20



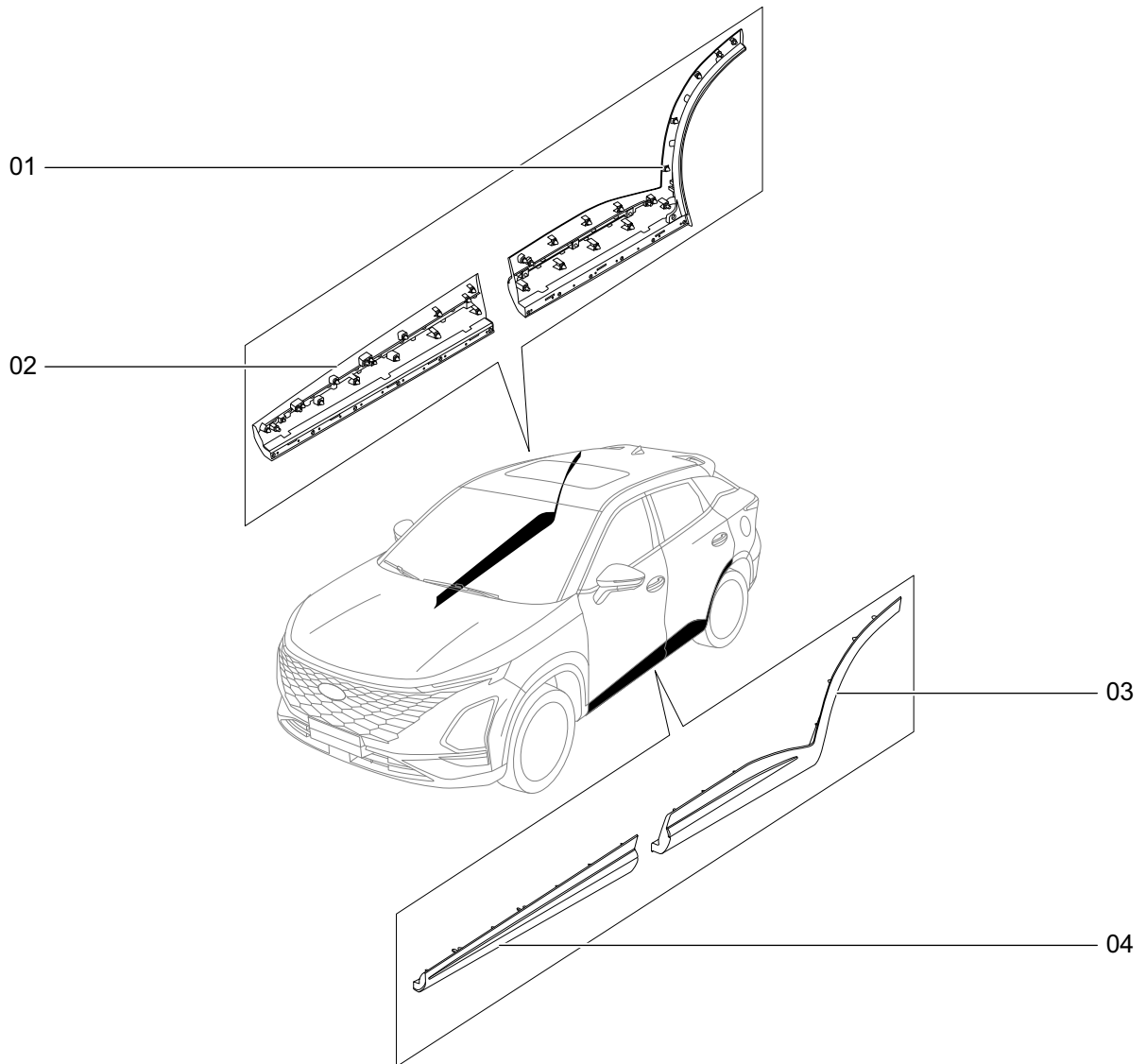
T19080190

No.	Part No.	Station No.	Station Name	Labour Time
01	609001180AADQJ	T19CKKK90011802751	Remove and reinstall spoiler assy	40
		Ex:T19CKKK30041132751	Remove and reinstall Back door LWR protector assy	20
		Ex:T19CKKK30041122701	Remove and reinstall back door protector assy RH	20
		Ex:T19CKKK30041112701	Remove and reinstall Back door protector assy LH	20
		T19CKKK90011809201	Paint spoiler assy	100



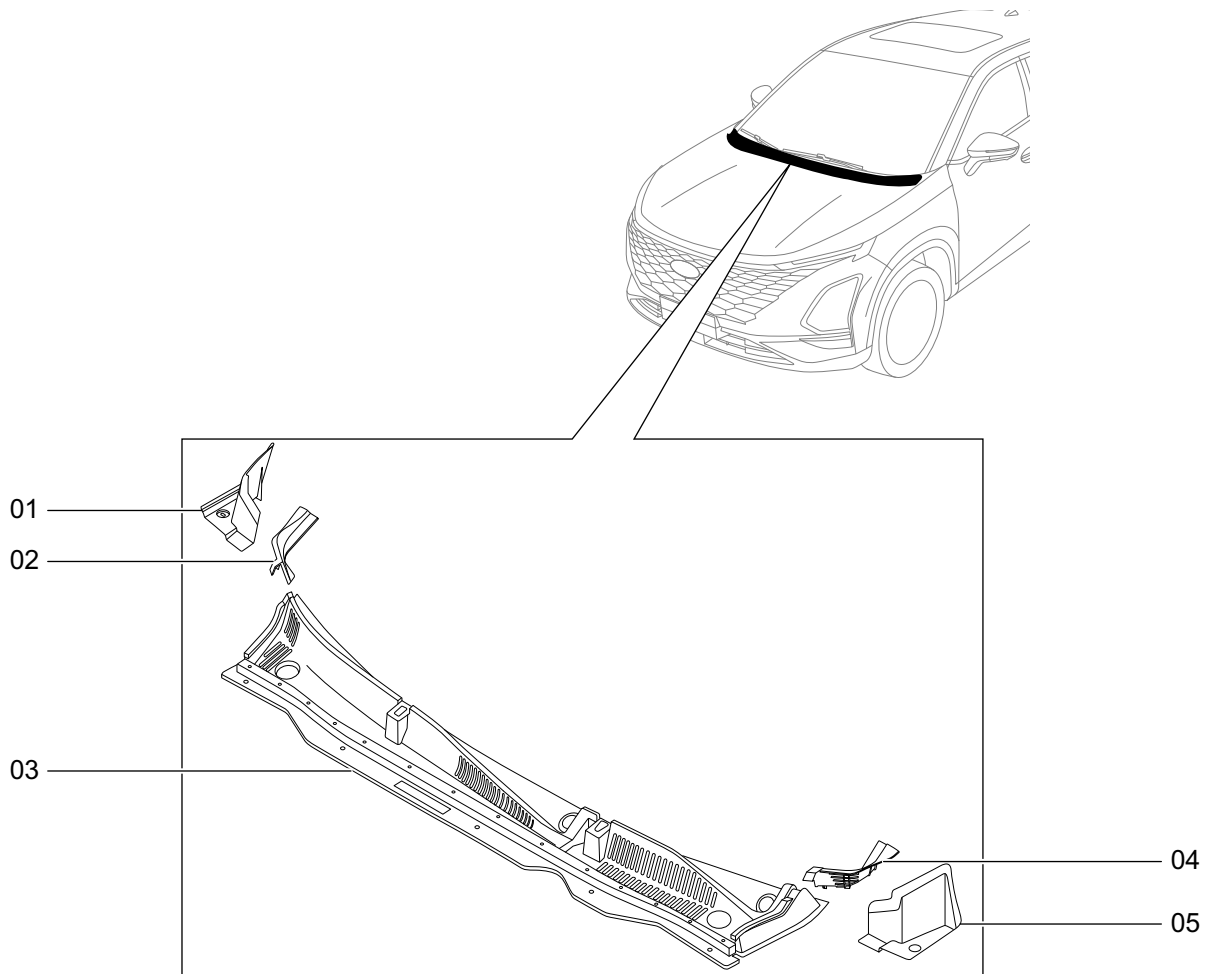
T19080200

No.	Part No.	Station No.	Station Name	Labour Time
01	609001177AA	T19CKKK90011772701	Remove and reinstall FR wheel arch trim assy RH	10
02	609001677AA	T19CKKK90016772701	Remove and reinstall FR compartment trim cover assy RH	20
03	609001676AA	T19CKKK90016762701	Remove and reinstall FR compartment trim cover assy LH	20
04	609001179AA	T19CKKK90011792701	Remove and reinstall RR wheel arch trim assy RH	10
05	609001178AA	T19CKKK90011782701	Remove and reinstall RR wheel arch trim assy LH	10
06	609001176AA	T19CKKK90011762701	Remove and reinstall FR wheel arch trim assy LH	10



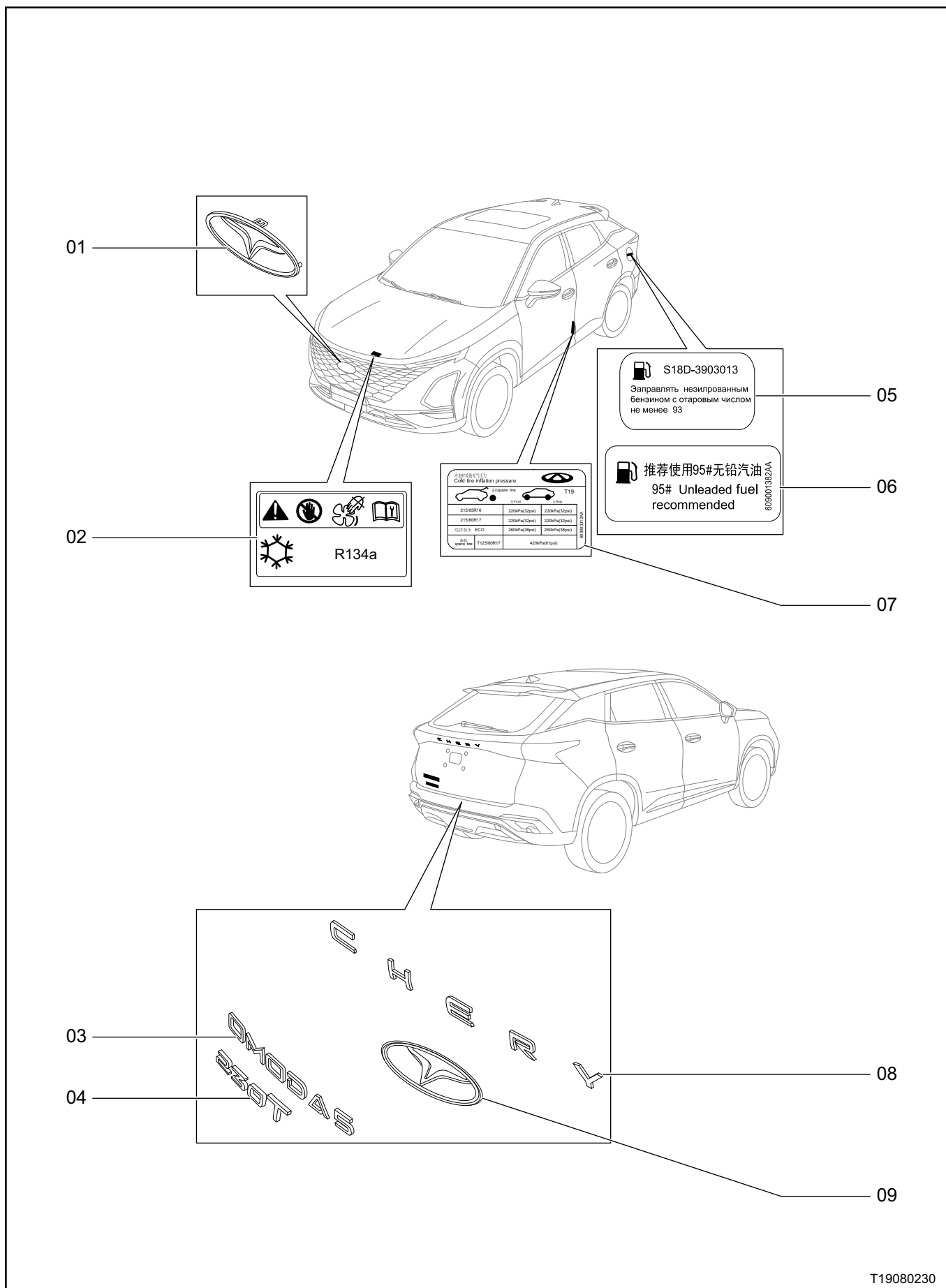
T19080210

No.	Part No.	Station No.	Station Name	Labour Time
01	609001056AA	T19CKKK90010562701	Remove and reinstall RR door trim panel assy RH	30
02	609001054AA	T19CKKK90010542701	Remove and reinstall FR door trim panel assy RH	30
03	609001055AA	T19CKKK90010552701	Remove and reinstall RR door trim panel assy LH	30
04	609001053AA	T19CKKK90010532701	Remove and reinstall FR door trim panel assy LH	30



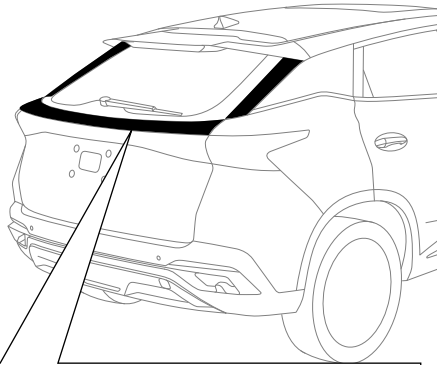
T19080220

No.	Part No.	Station No.	Station Name	Labour Time
01	609001347AA	T19CKKK90013472701	Remove and reinstall fender trim plate RH	20
02	609001196AA	T19CKKK90011962701	Remove and reinstall FR windshield LWR trim panel cover plate RH	10
03	609001195AA	T19CKKK90011952701	Remove and reinstall FR windshield LWR trim panel cover plate LH	10
04	609001192AA	T19CKKK90011922701	Remove and reinstall FR windshield LWR trim panel assy	40
05	609001345AA	T19CKKK90013452701	Remove and reinstall fender trim plate LH	20

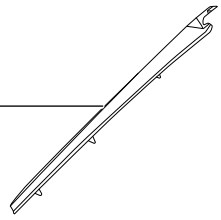


T19080230

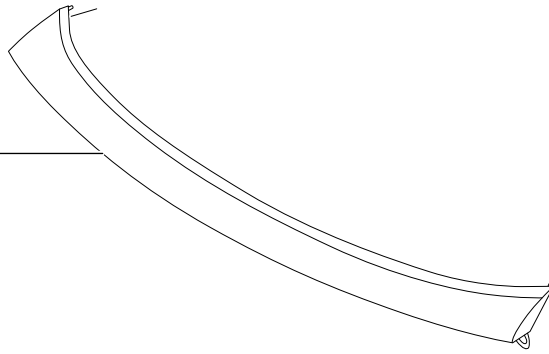
No.	Part No.	Station No.	Station Name	Labour Time
01	609001820AA	T19CKKK90018202701	Remove and reinstall Former FOENIX sign	20
02	J60-3903015	T19CKKK39030152701	Remove and reinstall three-in-one emblem	20
03	609001730AA	T19CKKK90017302701	Remove and reinstall OMODA sign	20
04	609001316AA	T19CKKK90013162701	Remove and reinstall 230T logo	20
05	S18D-3903013	T19CKKK39030132701	Remove and reinstall Label	20
06	609001382AA	T19CKKK90013822701	Remove and reinstall fuel mark	20
07	609000312AA	T19CKKK90003122701	Remove and reinstall Tire pressure label	20
	609001197AA	T19CKKK90011972701	Remove and reinstall Tire pressure label	20
08	609001718AA	T19CKKK90017182701	Remove and reinstall chery emblem	20
09	609001783AA	T19CKKK90017832701	Remove and reinstall After FOENIX sign	20



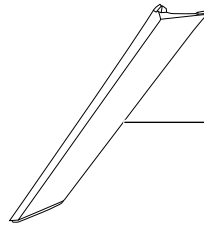
01



02



03

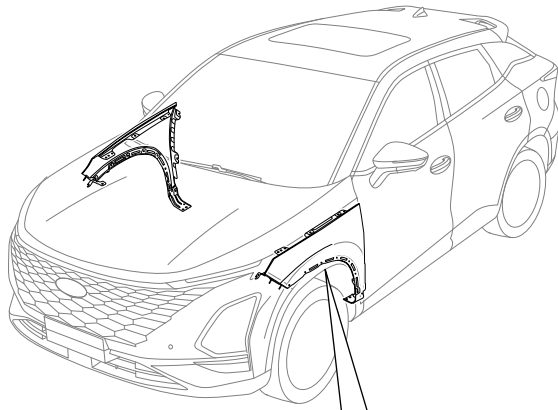


T19080240

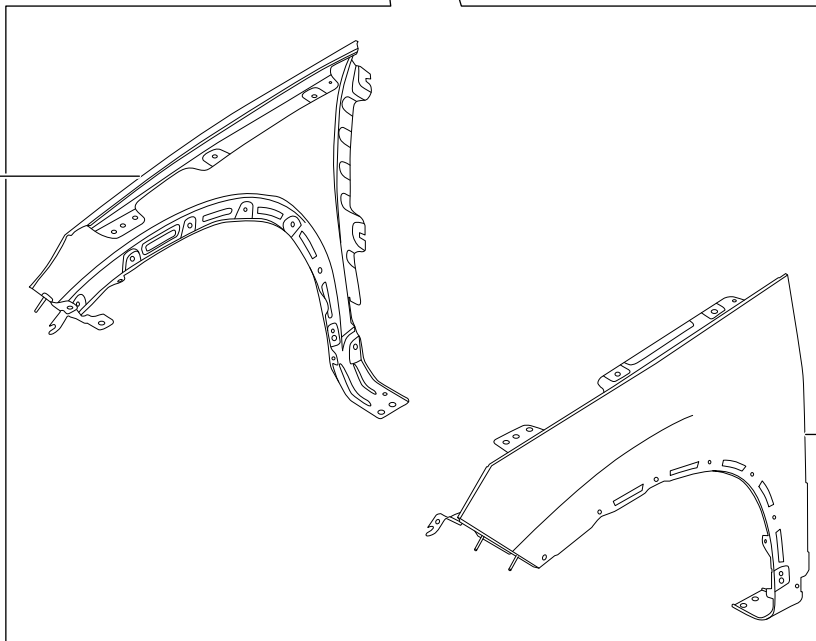
No.	Part No.	Station No.	Station Name	Labour Time
01	609001181AA	T19CKKK90011812751	Remove and reinstall d-pillar trim panel assy LH	20
		Ex:T19CKKK90011802751	Remove and reinstall spoiler assy	40
		Ex:T19CKKK30041132751	Remove and reinstall Back door LWR protector assy	20
		Ex:T19CKKK30041122701	Remove and reinstall back door protector assy RH	20
		Ex:T19CKKK30041112701	Remove and reinstall Back door protector assy LH	20
02	609001346AADQJ	T19CKKK90013462751	Remove and reinstall Trim panel assembly on rear door	20
		Ex:T19CKKK30041132751	Remove and reinstall Back door LWR protector assy	20
		Ex:T19CKKK30041122701	Remove and reinstall back door protector assy RH	20
		Ex:T19CKKK30041112701	Remove and reinstall Back door protector assy LH	20
03	609001182AA	T19CKKK90011822751	Remove and reinstall pillar D trim panel assy RH	20
		Ex:T19CKKK90011802751	Remove and reinstall spoiler assy	40
		Ex:T19CKKK30041132751	Remove and reinstall Back door LWR protector assy	20
		Ex:T19CKKK30041122701	Remove and reinstall back door protector assy RH	20
		Ex:T19CKKK30041112701	Remove and reinstall Back door protector assy LH	20

WHITE BODY FRAME

Body in white 09 - 2



01



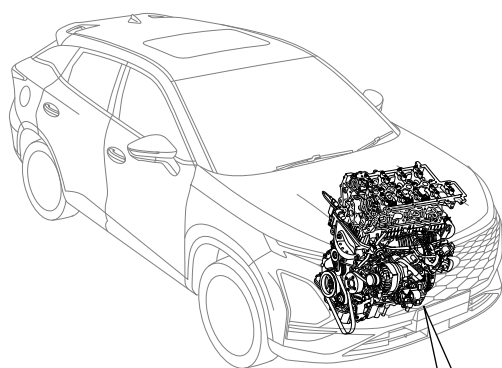
02

T19090010

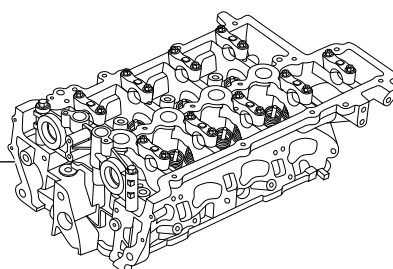
No.	Part No.	Station No.	Station Name	Labour Time
01	553000313AADYJ	T19CKKK30003132701	Remove and reinstall fender RH - electrophoresis	100
		T19CKKK30003139201	Paint fender RH - electrophoresis	180
02	553000312AADYJ	T19CKKK30003122701	Remove and reinstall fender LH - electrophoresis	100
		T19CKKK30003129201	Paint fender LH - electrophoresis	180

ENGINE MECHANICAL (F4J16)

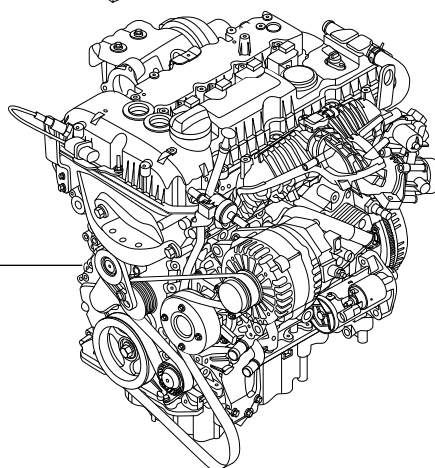
Engine assy	10 - 2
Valve chamber cover	10 - 4
Cylinder head	10 - 6
Cylinder block, oil pump	10 - 11
Crankshaft connecting rod mechanism	10 - 13
Timing, gear train	10 - 17



01

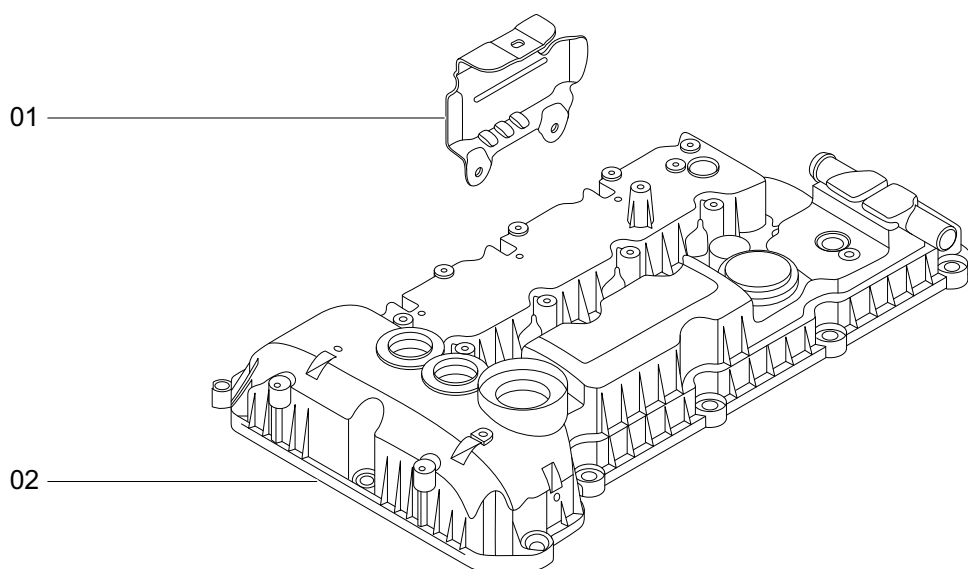


02



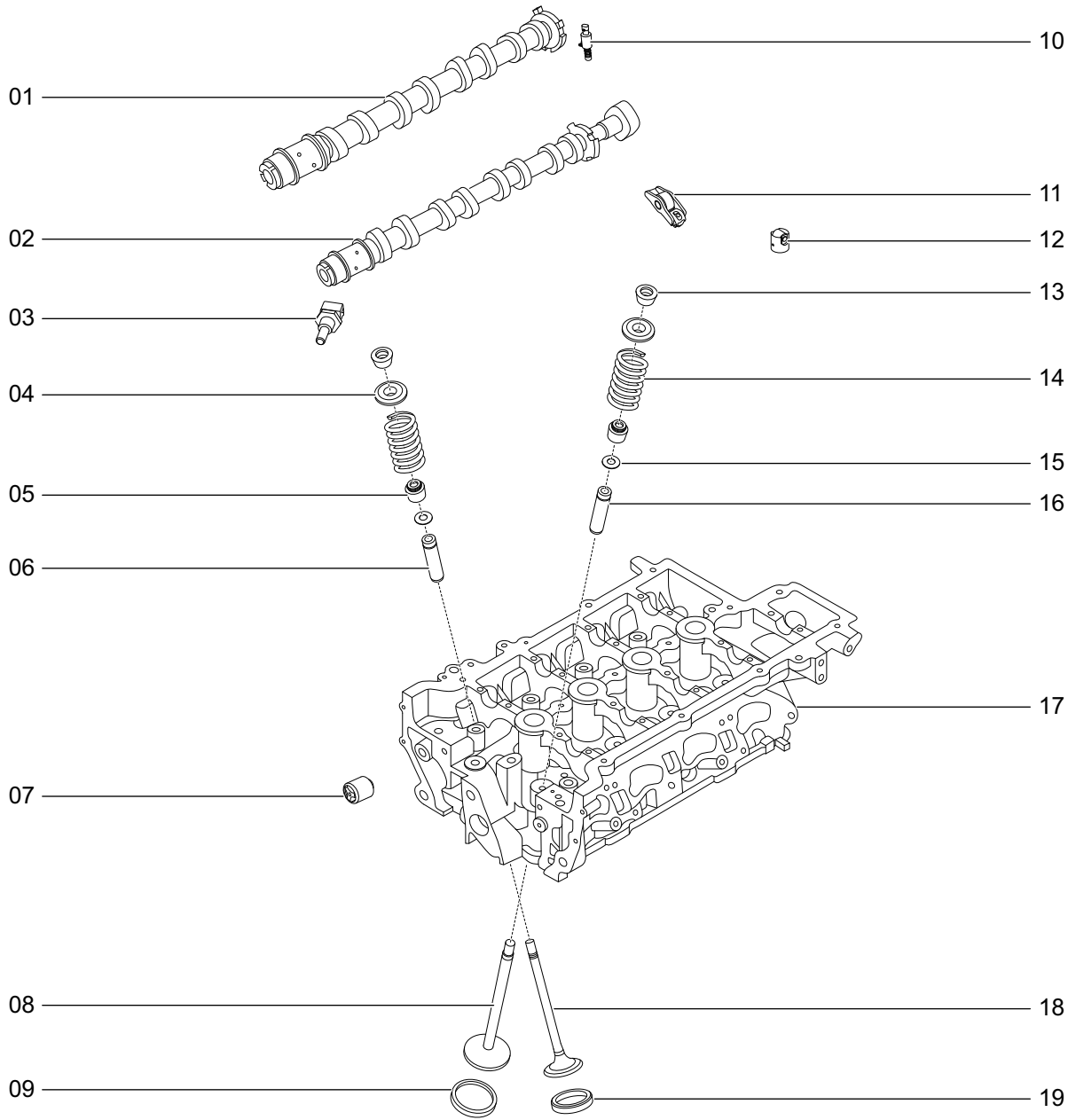
T19100010

No.	Part No.	Station No.	Station Name	Labour Time
01	F4J16-BJ1003001AA	T19CF4J10030012751	Remove and reinstall F4J16 cylinder head assy	160
		Ex:T19CF4J10210802751	Remove and reinstall Timing chain assy	40
		Ex:T19CF4J10210122701	Remove and reinstall Sprocket cover	120
		T19CF4J10030013661	Disassemble and reassemble F4J16 cylinder head assy	160
		Ex:T19CF4J10030012751	Remove and reinstall F4J16 cylinder head assy	160
		Ex:T19CF4J10210802751	Remove and reinstall Timing chain assy	40
		Ex:T19CF4J10210122701	Remove and reinstall Sprocket cover	120
02	F4J16-BJ1000010	T19CF4J10000102701	Remove and reinstall F4J16 engine assy	600
		T19CF4J10000103651	Disassemble and reassemble F4J16 engine assy	350
		Ex:T19CF4J10000102701	Remove and reinstall F4J16 engine assy	600



T19100020

No.	Part No.	Station No.	Station Name	Labour Time
01	F4J16-1003058	T19CF4J10030582701	Remove and reinstall Heat insulator - cylinder head cover	50
02	F4J16-1003050	T19CF4J10030502711	Remove and reinstall Valve chamber cover assy	60



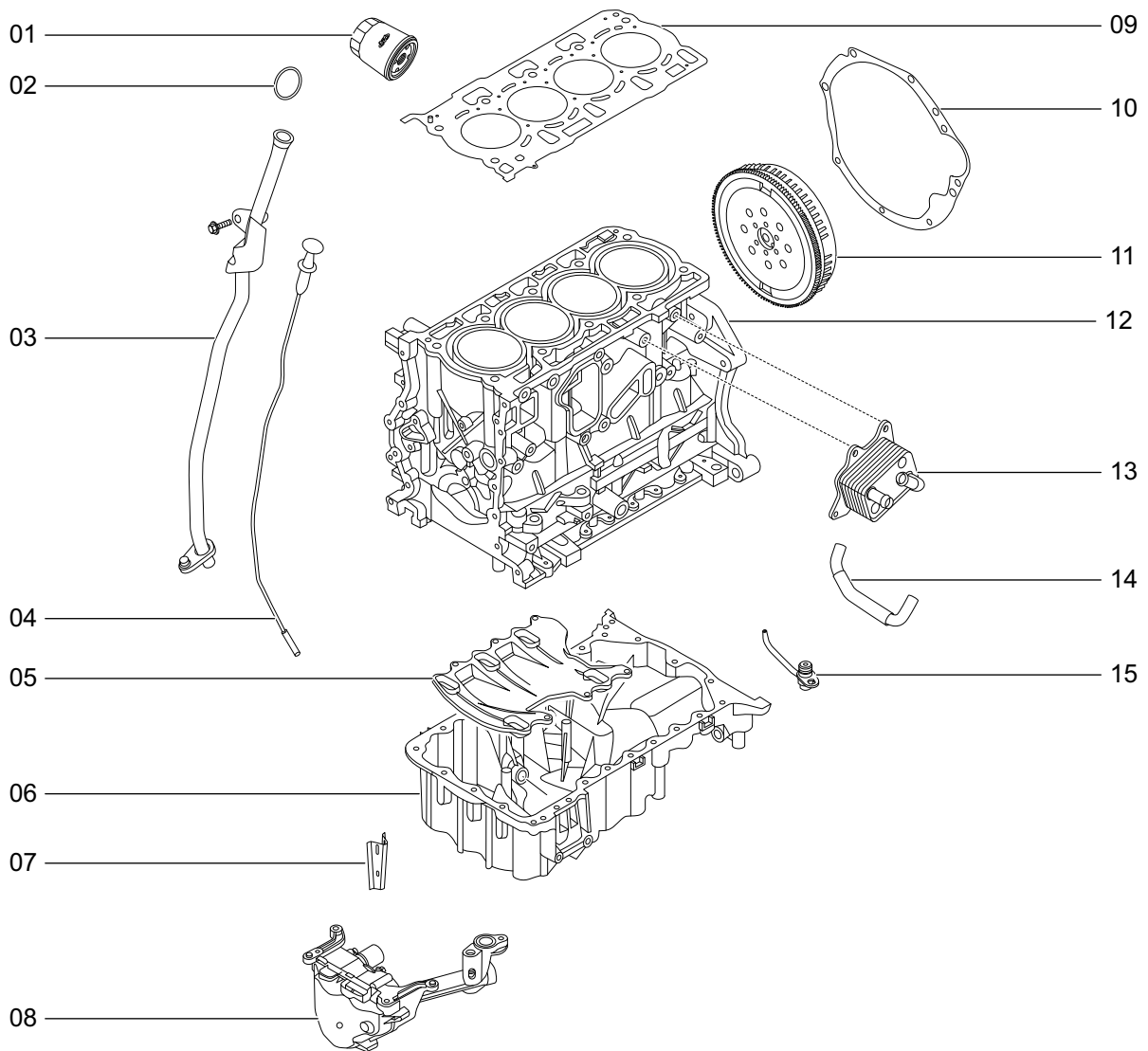
T19100030

No.	Part No.	Station No.	Station Name	Labour Time
01	F4J16-1006020	T19CF4J10060202751	Remove and reinstall Exhaust camshaft assy	30
		Ex:T19CF4J10060402751	Remove and reinstall exhaust phaser	20
		Ex:T19CF4J10210802751	Remove and reinstall Timing chain assy	40
		Ex:T19CF4J10210122701	Remove and reinstall Sprocket cover	120
02	F4J16-1006010	T19CF4J10060102751	Remove and reinstall Intake camshaft assy	30
		Ex:T19CF4J10060302751	Remove and reinstall intake phaser	20
		Ex:T19CF4J10210802751	Remove and reinstall Timing chain assy	40
		Ex:T19CF4J10210122701	Remove and reinstall Sprocket cover	120
03	A11-3617011	T19CF4J36170112751	Remove and reinstall Water temperature sensor	30
		Ex:T19CKKK10000482701	Remove and reinstall Intake hose assy	30
04	F4J16-1007015	T19CF4J10070152751	Remove and reinstall Valve spring UPR seat	0
		Ex:T19CF4J10030013661	Disassemble and reassemble F4J16 cylinder head assy	160
		Ex:T19CF4J10030012751	Remove and reinstall F4J16 cylinder head assy	160
		Ex:T19CF4J10210802751	Remove and reinstall Timing chain assy	40
		Ex:T19CF4J10210122701	Remove and reinstall Sprocket cover	120
05	F4J16-1007071	T19CF4J10070712751	Remove and reinstall Valve oil seal	0
		Ex:T19CF4J10030013661	Disassemble and reassemble F4J16 cylinder head assy	160
		Ex:T19CF4J10030012751	Remove and reinstall F4J16 cylinder head assy	160
		Ex:T19CF4J10210802751	Remove and reinstall Timing chain assy	40
		Ex:T19CF4J10210122701	Remove and reinstall Sprocket cover	120
06	F4J16-1003018BA	T19CF4J10030182751	Remove and reinstall 1-8 exhaust valve guide	10
		Ex:T19CF4J10030013661	Disassemble and reassemble F4J16 cylinder head assy	160
		Ex:T19CF4J10030012751	Remove and reinstall F4J16 cylinder head assy	160
		Ex:T19CF4J10210802751	Remove and reinstall Timing chain assy	40
		Ex:T19CF4J10210122701	Remove and reinstall Sprocket cover	120
07	F4J16-1003034	T19CF4J10030342751	Remove and reinstall valve (Camshaft phaser assy control valve lower part)	30
		Ex:T19CF4J36110912751	Remove and reinstall Camshaft phaser assy control valve	10
		Ex:T19CF4J10030502711	Remove and reinstall Valve chamber cover assy	60
08	F4J16-1007011BA	T19CF4J10070112751	Remove and reinstall 1-8 intake valve	0
		Ex:T19CF4J10030013661	Disassemble and reassemble F4J16 cylinder head assy	160
		Ex:T19CF4J10030012751	Remove and reinstall F4J16 cylinder head assy	160
		Ex:T19CF4J10210802751	Remove and reinstall Timing chain assy	40
		Ex:T19CF4J10210122701	Remove and reinstall Sprocket cover	120
		T19CF4J10070114551	Grind 8 intake valve	80
		Ex:T19CF4J10030013661	Disassemble and reassemble F4J16 cylinder head assy	160
		Ex:T19CF4J10030012751	Remove and reinstall F4J16 cylinder head assy	160
		Ex:T19CF4J10210802751	Remove and reinstall Timing chain assy	40
		Ex:T19CF4J10210122701	Remove and reinstall Sprocket cover	120

No.	Part No.	Station No.	Station Name	Labour Time
09	F4J16-1003011	T19CF4J10030112751	Remove and reinstall 1 Intake valve retainer	10
		Ex:T19CF4J10030013661	Disassemble and reassemble F4J16 cylinder head assy	160
		Ex:T19CF4J10030012751	Remove and reinstall F4J16 cylinder head assy	160
		Ex:T19CF4J10210802751	Remove and reinstall Timing chain assy	40
		Ex:T19CF4J10210122701	Remove and reinstall Sprocket cover	120
		T19CF4J10030112752	Remove and reinstall 2 Intake valve retainer	20
		Ex:T19CF4J10030013661	Disassemble and reassemble F4J16 cylinder head assy	160
		Ex:T19CF4J10030012751	Remove and reinstall F4J16 cylinder head assy	160
		Ex:T19CF4J10210802751	Remove and reinstall Timing chain assy	40
		Ex:T19CF4J10210122701	Remove and reinstall Sprocket cover	120
		T19CF4J10030112754	Remove and reinstall 4 Intake valve retainer	30
		Ex:T19CF4J10030013661	Disassemble and reassemble F4J16 cylinder head assy	160
		Ex:T19CF4J10030012751	Remove and reinstall F4J16 cylinder head assy	160
		Ex:T19CF4J10210802751	Remove and reinstall Timing chain assy	40
		Ex:T19CF4J10210122701	Remove and reinstall Sprocket cover	120
		T19CF4J10030112756	Remove and reinstall 6 Intake valve retainer	40
		Ex:T19CF4J10030013661	Disassemble and reassemble F4J16 cylinder head assy	160
		Ex:T19CF4J10030012751	Remove and reinstall F4J16 cylinder head assy	160
		Ex:T19CF4J10210802751	Remove and reinstall Timing chain assy	40
		Ex:T19CF4J10210122701	Remove and reinstall Sprocket cover	120
T19CF4J10030112758	Remove and reinstall 8 Intake valve retainer	50		
Ex:T19CF4J10030013661	Disassemble and reassemble F4J16 cylinder head assy	160		
Ex:T19CF4J10030012751	Remove and reinstall F4J16 cylinder head assy	160		
Ex:T19CF4J10210802751	Remove and reinstall Timing chain assy	40		
Ex:T19CF4J10210122701	Remove and reinstall Sprocket cover	120		
10	E4G16-3611091	T19CF4J36110912751	Remove and reinstall Camshaft phaser assy control valve	10
		Ex:T19CF4J10030502711	Remove and reinstall Valve chamber cover assy	60
11	F4J16-1007110	T19CF4J10071102751	Remove and reinstall Rocker arm assy	10
		Ex:T19CF4J10060102751	Remove and reinstall Intake camshaft assy	30
		Ex:T19CF4J10060302751	Remove and reinstall intake phaser	20
		Ex:T19CF4J10210802751	Remove and reinstall Timing chain assy	40
		Ex:T19CF4J10210122701	Remove and reinstall Sprocket cover	120
12	F4J16-1111017	T19CF4J11110172751	Remove and reinstall Roller tappet	10
		Ex:T19CF4J10060102751	Remove and reinstall Intake camshaft assy	30
		Ex:T19CF4J10060302751	Remove and reinstall intake phaser	20
		Ex:T19CF4J10210802751	Remove and reinstall Timing chain assy	40
		Ex:T19CF4J10210122701	Remove and reinstall Sprocket cover	120
13	481H-1007018	T19CF4J10070182751	Remove and reinstall valve lock block	0
		Ex:T19CF4J10030013661	Disassemble and reassemble F4J16 cylinder head assy	160

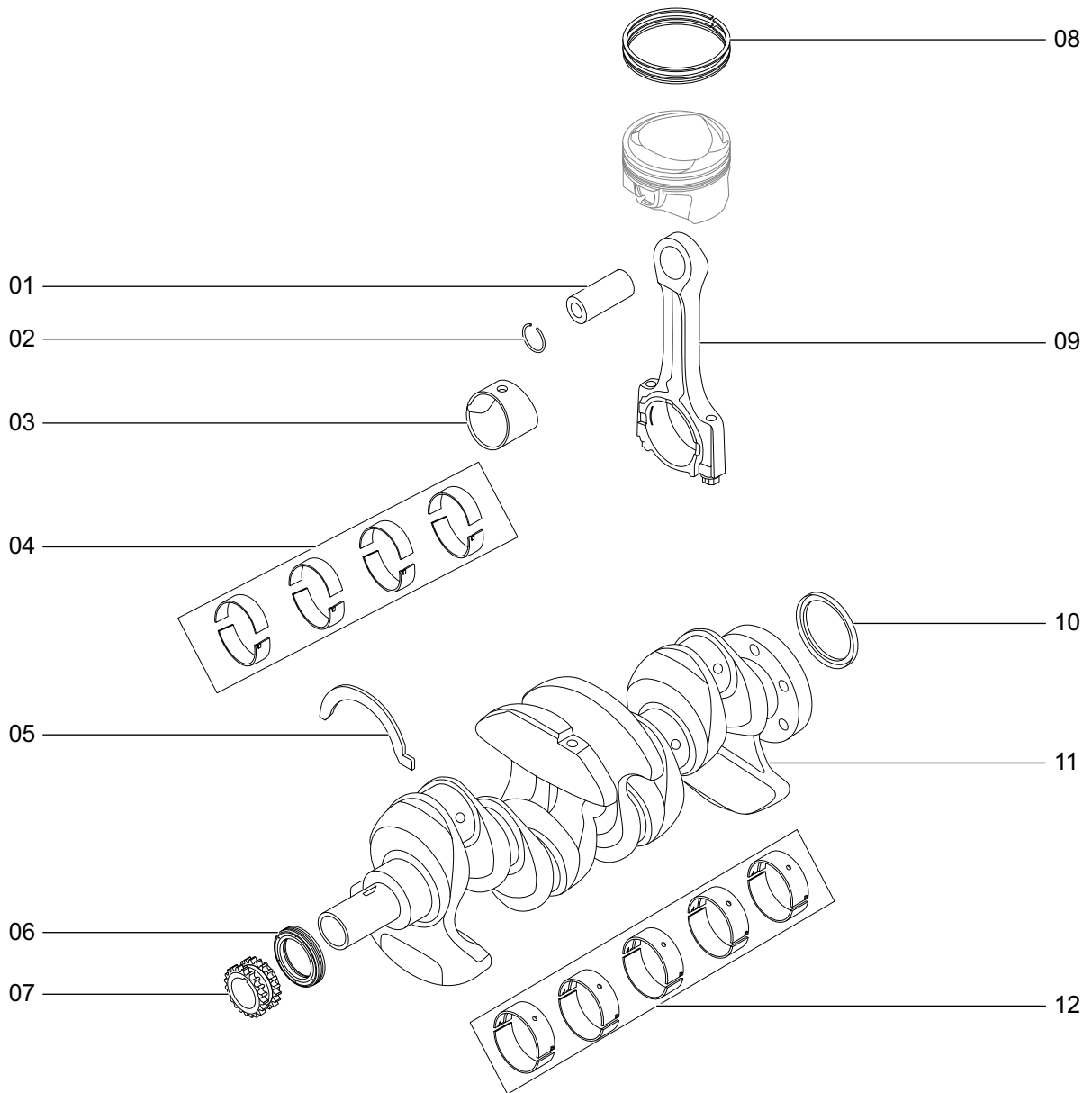
No.	Part No.	Station No.	Station Name	Labour Time
		Ex:T19CF4J10030012751	Remove and reinstall F4J16 cylinder head assy	160
		Ex:T19CF4J10210802751	Remove and reinstall Timing chain assy	40
		Ex:T19CF4J10210122701	Remove and reinstall Sprocket cover	120
14	F4J16-1007014	T19CF4J10070142751	Remove and reinstall 1-8 exhaust valve	0
		Ex:T19CF4J10030013661	Disassemble and reassemble F4J16 cylinder head assy	160
		Ex:T19CF4J10030012751	Remove and reinstall F4J16 cylinder head assy	160
		Ex:T19CF4J10210802751	Remove and reinstall Timing chain assy	40
		Ex:T19CF4J10210122701	Remove and reinstall Sprocket cover	120
15	F4J16-1007016	T19CF4J10070162751	Remove and reinstall Valve spring LWR seat	0
		Ex:T19CF4J10030013661	Disassemble and reassemble F4J16 cylinder head assy	160
		Ex:T19CF4J10030012751	Remove and reinstall F4J16 cylinder head assy	160
		Ex:T19CF4J10210802751	Remove and reinstall Timing chain assy	40
		Ex:T19CF4J10210122701	Remove and reinstall Sprocket cover	120
16	F4J16-1003013	T19CF4J10030132751	Remove and reinstall 1-8 intake valve guide	10
		Ex:T19CF4J10030013661	Disassemble and reassemble F4J16 cylinder head assy	160
		Ex:T19CF4J10030012751	Remove and reinstall F4J16 cylinder head assy	160
		Ex:T19CF4J10210802751	Remove and reinstall Timing chain assy	40
		Ex:T19CF4J10210122701	Remove and reinstall Sprocket cover	120
17	F4J16-BJ1003010BA	T19CF4J10030102751	Remove and reinstall F4J16 cylinder head assy	0
		Ex:T19CF4J10030013661	Disassemble and reassemble F4J16 cylinder head assy	160
		Ex:T19CF4J10030012751	Remove and reinstall F4J16 cylinder head assy	160
		Ex:T19CF4J10210802751	Remove and reinstall Timing chain assy	40
		Ex:T19CF4J10210122701	Remove and reinstall Sprocket cover	120
18	F4J16-1007012BA	T19CF4J10070122751	Remove and reinstall 1-8 exhaust valve	0
		Ex:T19CF4J10030013661	Disassemble and reassemble F4J16 cylinder head assy	160
		Ex:T19CF4J10030012751	Remove and reinstall F4J16 cylinder head assy	160
		Ex:T19CF4J10210802751	Remove and reinstall Timing chain assy	40
		Ex:T19CF4J10210122701	Remove and reinstall Sprocket cover	120
		T19CF4J10070124551	Grind 8 exhaust valve	80
		Ex:T19CF4J10030013661	Disassemble and reassemble F4J16 cylinder head assy	160
		Ex:T19CF4J10030012751	Remove and reinstall F4J16 cylinder head assy	160
		Ex:T19CF4J10210802751	Remove and reinstall Timing chain assy	40
		Ex:T19CF4J10210122701	Remove and reinstall Sprocket cover	120
19	F4J16-1003012	T19CF4J10030122751	Remove and reinstall 1 Exhaust valve retainer	10
		Ex:T19CF4J10030013661	Disassemble and reassemble F4J16 cylinder head assy	160
		Ex:T19CF4J10030012751	Remove and reinstall F4J16 cylinder head assy	160
		Ex:T19CF4J10210802751	Remove and reinstall Timing chain assy	40
		Ex:T19CF4J10210122701	Remove and reinstall Sprocket cover	120
		T19CF4J10030122752	Remove and reinstall 2 Exhaust valve retainer	20

No.	Part No.	Station No.	Station Name	Labour Time
		Ex:T19CF4J10030013661	Disassemble and reassemble F4J16 cylinder head assy	160
		Ex:T19CF4J10030012751	Remove and reinstall F4J16 cylinder head assy	160
		Ex:T19CF4J10210802751	Remove and reinstall Timing chain assy	40
		Ex:T19CF4J10210122701	Remove and reinstall Sprocket cover	120
		T19CF4J10030122754	Remove and reinstall 4 Exhaust valve retainer	30
		Ex:T19CF4J10030013661	Disassemble and reassemble F4J16 cylinder head assy	160
		Ex:T19CF4J10030012751	Remove and reinstall F4J16 cylinder head assy	160
		Ex:T19CF4J10210802751	Remove and reinstall Timing chain assy	40
		Ex:T19CF4J10210122701	Remove and reinstall Sprocket cover	120
		T19CF4J10030122756	Remove and reinstall 6 Exhaust valve retainer	40
		Ex:T19CF4J10030013661	Disassemble and reassemble F4J16 cylinder head assy	160
		Ex:T19CF4J10030012751	Remove and reinstall F4J16 cylinder head assy	160
		Ex:T19CF4J10210802751	Remove and reinstall Timing chain assy	40
		Ex:T19CF4J10210122701	Remove and reinstall Sprocket cover	120
		T19CF4J10030122758	Remove and reinstall 8 Exhaust valve retainer	50
		Ex:T19CF4J10030013661	Disassemble and reassemble F4J16 cylinder head assy	160
		Ex:T19CF4J10030012751	Remove and reinstall F4J16 cylinder head assy	160
		Ex:T19CF4J10210802751	Remove and reinstall Timing chain assy	40
		Ex:T19CF4J10210122701	Remove and reinstall Sprocket cover	120



T19100040

No.	Part No.	Station No.	Station Name	Labour Time
01	F4J20-1012010	T19CF4J10120102701	Remove and reinstall oil filter assy	20
02	481H-1009114	T19CF4J10091142751	Remove and reinstall O-ring (oil dipstick)	10
		Ex:T19CF4J10090312701	Remove and reinstall Oil dipstick tube	30
03	F4J16-1009031	T19CF4J10090312701	Remove and reinstall Oil dipstick tube	30
04	F4J16-1009032	T19CF4J10090322701	Remove and reinstall Oil dipstick	10
05	F4J16-1009013	T19CF4J10090132751	Remove and reinstall Oil insulation plate	10
		Ex:T19CF4J09000062701	Remove and reinstall Oil pan assy	100
06	110900006AA	T19CF4J09000062701	Remove and reinstall Oil pan assy	100
07	F4J16-1002012	T19CF4J10020122751	Remove and reinstall Water jacket orifice plate	10
		Ex:T19CF4J10030012751	Remove and reinstall F4J16 cylinder head assy	160
		Ex:T19CF4J10210802751	Remove and reinstall Timing chain assy	40
		Ex:T19CF4J10210122701	Remove and reinstall Sprocket cover	120
08	F4J16-1011010DA	T19CF4J10110102751	Remove and reinstall Oil pump assy	40
		Ex:T19CF4J09000062701	Remove and reinstall Oil pan assy	100
09	F4J16-1003016	T19CF4J10030162751	Remove and reinstall Cylinder gasket	10
		Ex:T19CF4J10030012751	Remove and reinstall F4J16 cylinder head assy	160
		Ex:T19CF4J10210802751	Remove and reinstall Timing chain assy	40
		Ex:T19CF4J10210122701	Remove and reinstall Sprocket cover	120
10	123000007AB	T19CF4J30000072751	Remove and reinstall Panel	10
		Ex:T19C7DC10000592701	Remove and reinstall Automatic transmission assy	400
11	F4J16-1005110AB	T19CF4J10051102751	Remove and reinstall dual mass flywheel	50
		Ex:T19C7DC10000592701	Remove and reinstall Automatic transmission assy	400
12	F4J16-1002010AC	T19CF4J10020102761	Remove and reinstall cylinder block assy	0
		Ex:T19CF4J10000103651	Disassemble and reassemble F4J16 engine assy	350
		Ex:T19CF4J10000102701	Remove and reinstall F4J16 engine assy	600
13	F4J16-1013010DA	T19CF4J10130102701	Remove and reinstall oil cooler assy	60
14	F4J16-1303051AB	T19CF4J13030512701	Remove and reinstall oil cooler inlet hose	20
15	F4J16-1002050	T19CF4J10020502751	Remove and reinstall Piston cooling nozzle	10
		Ex:T19CF4J10000103651	Disassemble and reassemble F4J16 engine assy	350
		Ex:T19CF4J10000102701	Remove and reinstall F4J16 engine assy	600

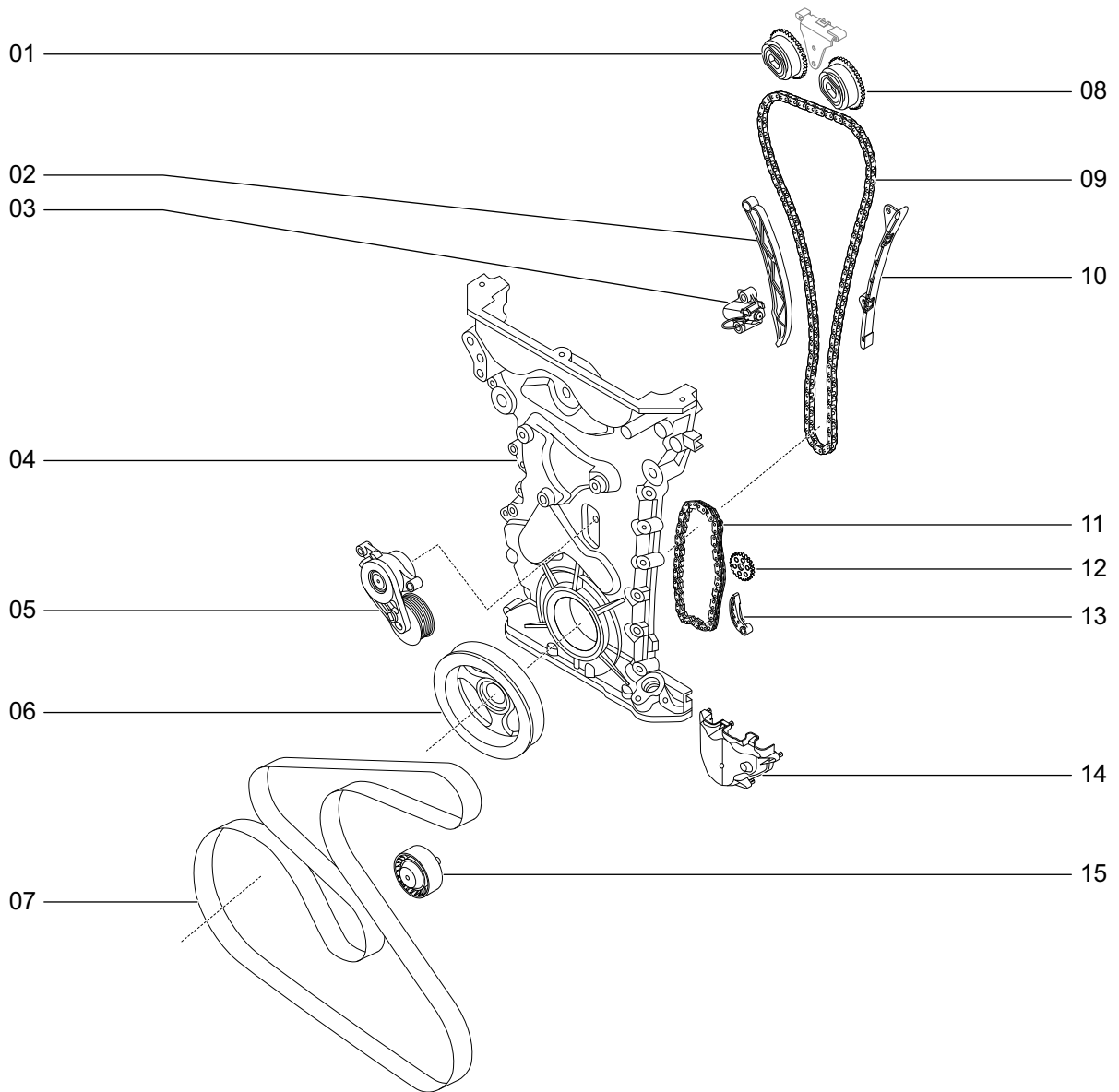


T19100050

No.	Part No.	Station No.	Station Name	Labour Time
01	F4J16-1004134AC	T19CF4J10041342751	Remove and reinstall 1 Piston pin	30
		Ex:T19CF4J10030012751	Remove and reinstall F4J16 cylinder head assy	160
		Ex:T19CF4J09000062701	Remove and reinstall Oil pan assy	100
		Ex:T19CF4J10210802751	Remove and reinstall Timing chain assy	40
		Ex:T19CF4J10210122701	Remove and reinstall Sprocket cover	120
		T19CF4J10041342752	Remove and reinstall 2 Piston pin	40
		Ex:T19CF4J10030012751	Remove and reinstall F4J16 cylinder head assy	160
		Ex:T19CF4J09000062701	Remove and reinstall Oil pan assy	100
		Ex:T19CF4J10210802751	Remove and reinstall Timing chain assy	40
		Ex:T19CF4J10210122701	Remove and reinstall Sprocket cover	120
		T19CF4J10041342753	Remove and reinstall 3 Piston pin	50
		Ex:T19CF4J10030012751	Remove and reinstall F4J16 cylinder head assy	160
		Ex:T19CF4J09000062701	Remove and reinstall Oil pan assy	100
		Ex:T19CF4J10210802751	Remove and reinstall Timing chain assy	40
		Ex:T19CF4J10210122701	Remove and reinstall Sprocket cover	120
		T19CF4J10041342754	Remove and reinstall 4 Piston pin	60
		Ex:T19CF4J10030012751	Remove and reinstall F4J16 cylinder head assy	160
		Ex:T19CF4J09000062701	Remove and reinstall Oil pan assy	100
		Ex:T19CF4J10210802751	Remove and reinstall Timing chain assy	40
		Ex:T19CF4J10210122701	Remove and reinstall Sprocket cover	120
02	F4J16-1004135	T19CF4J10041352751	Remove and reinstall 1 Elastic retaining ring - piston pin	30
		Ex:T19CF4J10030012751	Remove and reinstall F4J16 cylinder head assy	160
		Ex:T19CF4J09000062701	Remove and reinstall Oil pan assy	100
		Ex:T19CF4J10210802751	Remove and reinstall Timing chain assy	40
		Ex:T19CF4J10210122701	Remove and reinstall Sprocket cover	120
		T19CF4J10041352752	Remove and reinstall 2 Elastic retaining ring - piston pin	40
		Ex:T19CF4J10030012751	Remove and reinstall F4J16 cylinder head assy	160
		Ex:T19CF4J09000062701	Remove and reinstall Oil pan assy	100
		Ex:T19CF4J10210802751	Remove and reinstall Timing chain assy	40
		Ex:T19CF4J10210122701	Remove and reinstall Sprocket cover	120
		T19CF4J10041352753	Remove and reinstall 3 Elastic retaining ring - piston pin	50
		Ex:T19CF4J10030012751	Remove and reinstall F4J16 cylinder head assy	160
		Ex:T19CF4J09000062701	Remove and reinstall Oil pan assy	100
		Ex:T19CF4J10210802751	Remove and reinstall Timing chain assy	40
		Ex:T19CF4J10210122701	Remove and reinstall Sprocket cover	120
		T19CF4J10041352754	Remove and reinstall 4 Elastic retaining ring - piston pin	60
		Ex:T19CF4J10030012751	Remove and reinstall F4J16 cylinder head assy	160
		Ex:T19CF4J09000062701	Remove and reinstall Oil pan assy	100

No.	Part No.	Station No.	Station Name	Labour Time
		Ex:T19CF4J10210802751	Remove and reinstall Timing chain assy	40
		Ex:T19CF4J10210122701	Remove and reinstall Sprocket cover	120
03	F4J16-1004112	T19CF4J10041122751	Remove and reinstall connecting rod sleeve	10
		Ex:T19CF4J10041102751	Remove and reinstall 1 F4J16 connecting rod assy	20
		Ex:T19CF4J10030012751	Remove and reinstall F4J16 cylinder head assy	160
		Ex:T19CF4J09000062701	Remove and reinstall Oil pan assy	100
		Ex:T19CF4J10210802751	Remove and reinstall Timing chain assy	40
		Ex:T19CF4J10210122701	Remove and reinstall Sprocket cover	120
04	F4J16-BJ1004115	T19CF4J10041152751	Remove and reinstall Connecting rod bearing assy (1 set) - red	10
		Ex:T19CF4J10041102754	Remove and reinstall 4 F4J16 connecting rod assy	50
		Ex:T19CF4J10030012751	Remove and reinstall F4J16 cylinder head assy	160
		Ex:T19CF4J09000062701	Remove and reinstall Oil pan assy	100
		Ex:T19CF4J10210802751	Remove and reinstall Timing chain assy	40
		Ex:T19CF4J10210122701	Remove and reinstall Sprocket cover	120
	F4J16-BJ1004115AB	T19CF4J10041152761	Remove and reinstall Connecting rod bearing assy (1 set) - blue	10
		Ex:T19CF4J10041102754	Remove and reinstall 4 F4J16 connecting rod assy	50
		Ex:T19CF4J10030012751	Remove and reinstall F4J16 cylinder head assy	160
		Ex:T19CF4J09000062701	Remove and reinstall Oil pan assy	100
		Ex:T19CF4J10210802751	Remove and reinstall Timing chain assy	40
		Ex:T19CF4J10210122701	Remove and reinstall Sprocket cover	120
05	F4J16-1005015	T19CF4J10050152751	Remove and reinstall Thrust plate	0
		Ex:T19CF4J10000103651	Disassemble and reassemble F4J16 engine assy	350
		Ex:T19CF4J10000102701	Remove and reinstall F4J16 engine assy	600
06	372A-1005045	T19CF4J10050452751	Remove and reinstall FR oil seal - crankshaft	20
		Ex:T19CF4J10050302751	Remove and reinstall torsional shock absorber	10
		Ex:T19CF4J10250112701	Remove and reinstall Ribbed belt	40
07	F4J16-1021011BA	T19CF4J10210112751	Remove and reinstall crankshaft timing sprocket wheel	20
		Ex:T19CF4J10210802751	Remove and reinstall Timing chain assy	40
		Ex:T19CF4J10210122701	Remove and reinstall Sprocket cover	120
08	F4J16-BJ1004120	T19CF4J10041202751	Remove and reinstall Piston ring assy	60
		Ex:T19CF4J10030012751	Remove and reinstall F4J16 cylinder head assy	160
		Ex:T19CF4J09000062701	Remove and reinstall Oil pan assy	100
		Ex:T19CF4J10210802751	Remove and reinstall Timing chain assy	40
		Ex:T19CF4J10210122701	Remove and reinstall Sprocket cover	120
09	F4J16-1004110	T19CF4J10041102751	Remove and reinstall 1 F4J16 connecting rod assy	20
		Ex:T19CF4J10030012751	Remove and reinstall F4J16 cylinder head assy	160
		Ex:T19CF4J09000062701	Remove and reinstall Oil pan assy	100
		Ex:T19CF4J10210802751	Remove and reinstall Timing chain assy	40

No.	Part No.	Station No.	Station Name	Labour Time
		Ex:T19CF4J10210122701	Remove and reinstall Sprocket cover	120
		T19CF4J10041102752	Remove and reinstall 2 F4J16 connecting rod assy	30
		Ex:T19CF4J10030012751	Remove and reinstall F4J16 cylinder head assy	160
		Ex:T19CF4J09000062701	Remove and reinstall Oil pan assy	100
		Ex:T19CF4J10210802751	Remove and reinstall Timing chain assy	40
		Ex:T19CF4J10210122701	Remove and reinstall Sprocket cover	120
		T19CF4J10041102753	Remove and reinstall 3 F4J16 connecting rod assy	40
		Ex:T19CF4J10030012751	Remove and reinstall F4J16 cylinder head assy	160
		Ex:T19CF4J09000062701	Remove and reinstall Oil pan assy	100
		Ex:T19CF4J10210802751	Remove and reinstall Timing chain assy	40
		Ex:T19CF4J10210122701	Remove and reinstall Sprocket cover	120
		T19CF4J10041102754	Remove and reinstall 4 F4J16 connecting rod assy	50
		Ex:T19CF4J10030012751	Remove and reinstall F4J16 cylinder head assy	160
		Ex:T19CF4J09000062701	Remove and reinstall Oil pan assy	100
		Ex:T19CF4J10210802751	Remove and reinstall Timing chain assy	40
		Ex:T19CF4J10210122701	Remove and reinstall Sprocket cover	120
10	372A-1005030	T19CF4J10050302761	Remove and reinstall Crankshaft RR oil seal	20
		Ex:T19CF4J10051102751	Remove and reinstall dual mass flywheel	50
		Ex:T19C7DC10000592701	Remove and reinstall Automatic transmission assy	400
11	F4J16-1005011AB	T19CF4J10050112751	Remove and reinstall F4J16 crankshaft assy	0
		Ex:T19CF4J10000103651	Disassemble and reassemble F4J16 engine assy	350
		Ex:T19CF4J10000102701	Remove and reinstall F4J16 engine assy	600
12	F4J16-BJ1005012	T19CF4J10050122751	Remove and reinstall Crankshaft bearing assy (1 set) - red	0
		Ex:T19CF4J10000103651	Disassemble and reassemble F4J16 engine assy	350
		Ex:T19CF4J10000102701	Remove and reinstall F4J16 engine assy	600
	F4J16-BJ1005012AB	T19CF4J10050122761	Remove and reinstall Crankshaft bearing assy (1 set) - yellow	0
		Ex:T19CF4J10000103651	Disassemble and reassemble F4J16 engine assy	350
		Ex:T19CF4J10000102701	Remove and reinstall F4J16 engine assy	600
	F4J16-BJ1005012AE	T19CF4J10050122731	Remove and reinstall Crankshaft bearing assy (1 set) - blue	0
		Ex:T19CF4J10000103651	Disassemble and reassemble F4J16 engine assy	350
		Ex:T19CF4J10000102701	Remove and reinstall F4J16 engine assy	600

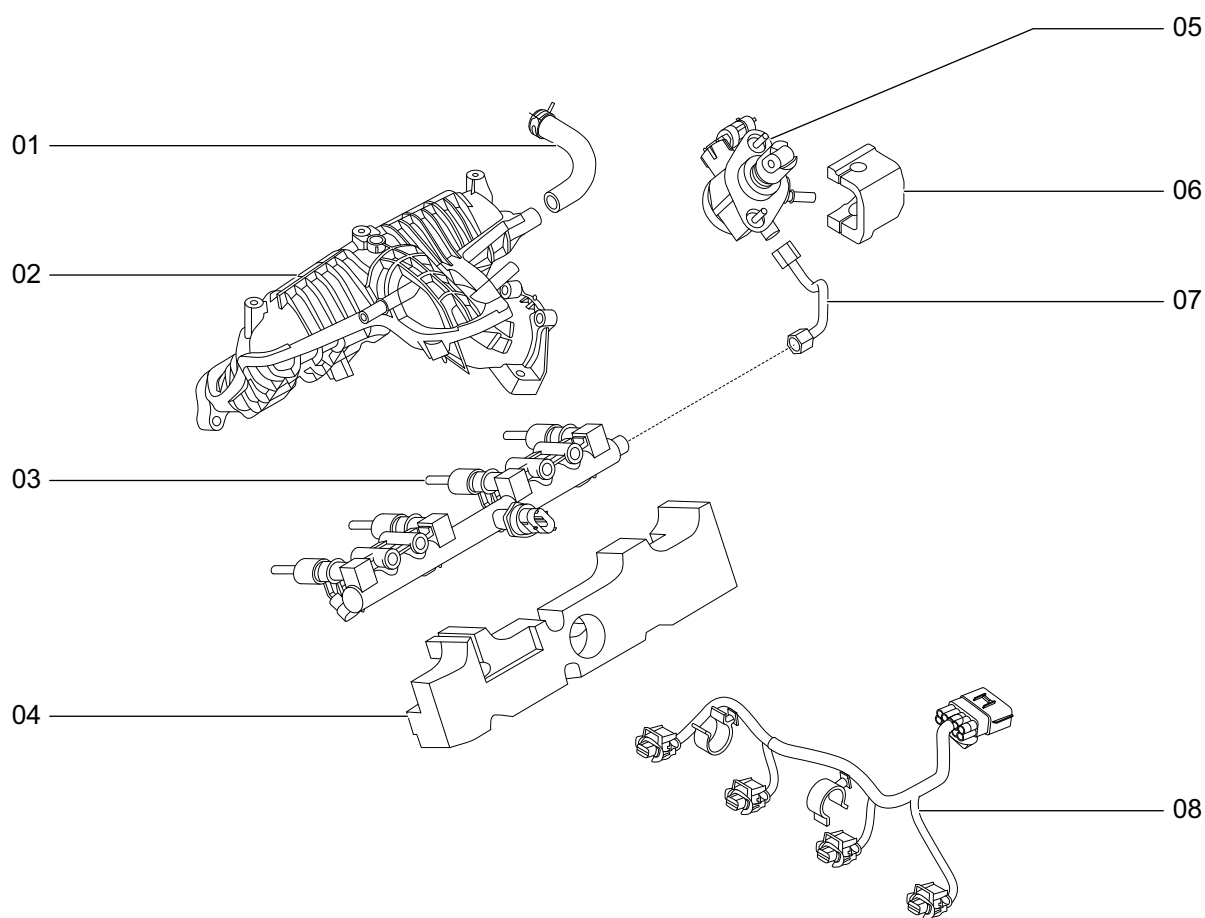


T19100060

No.	Part No.	Station No.	Station Name	Labour Time
01	F4J16-1006040BA	T19CF4J10060402751	Remove and reinstall exhaust phaser	20
		Ex:T19CF4J10210802751	Remove and reinstall Timing chain assy	40
		Ex:T19CF4J10210122701	Remove and reinstall Sprocket cover	120
02	F4J16-1021050BA	T19CF4J10210502751	Remove and reinstall Movable guide rail assy	10
		Ex:T19CF4J10210122701	Remove and reinstall Sprocket cover	120
03	F4J16-1021030	T19CF4J10210302751	Remove and reinstall Hydraulic tensioner assy	10
		Ex:T19CF4J10210122701	Remove and reinstall Sprocket cover	120
04	F4J15-1021012	T19CF4J10210122701	Remove and reinstall Sprocket cover	120
05	F3J12-1025010AB	T19CF4J10250102751	Remove and reinstall tensioner assy	20
		Ex:T19CF4J10250112701	Remove and reinstall Ribbed belt	40
06	F4J16B-1005030	T19CF4J10050302751	Remove and reinstall torsional shock absorber	10
		Ex:T19CF4J10250112701	Remove and reinstall Ribbed belt	40
07	F4J16-1025011AC	T19CF4J10250112701	Remove and reinstall Ribbed belt	40
08	F4J16-1006030BA	T19CF4J10060302751	Remove and reinstall intake phaser	20
		Ex:T19CF4J10210802751	Remove and reinstall Timing chain assy	40
		Ex:T19CF4J10210122701	Remove and reinstall Sprocket cover	120
09	F3J12-1021080	T19CF4J10210802751	Remove and reinstall Timing chain assy	40
		Ex:T19CF4J10210122701	Remove and reinstall Sprocket cover	120
10	F4J16-1021090BA	T19CF4J10210902751	Remove and reinstall Fixing guide rail assy	10
		Ex:T19CF4J10210122701	Remove and reinstall Sprocket cover	120
11	F3J12-1011050BA	T19CF4J10110502751	Remove and reinstall Oil pump chain assy	20
		Ex:T19CF4J09000062701	Remove and reinstall Oil pan assy	100
		Ex:T19CF4J10210802751	Remove and reinstall Timing chain assy	40
		Ex:T19CF4J10210122701	Remove and reinstall Sprocket cover	120
12	F4J16-1011037	T19CF4J10110372751	Remove and reinstall Oil pump sprocket	20
		Ex:T19CF4J10110302751	Remove and reinstall oil pump movable guide rail assy	20
		Ex:T19CF4J09000062701	Remove and reinstall Oil pan assy	100
13	F4J16-1011030	T19CF4J10110302751	Remove and reinstall oil pump movable guide rail assy	20
		Ex:T19CF4J09000062701	Remove and reinstall Oil pan assy	100
14	F4J16-1011016	T19CF4J10110162751	Remove and reinstall sprocket wheel cover	10
		Ex:T19CF4J09000062701	Remove and reinstall Oil pan assy	100
15	E4G16-1025070	T19CF4J10250702751	Remove and reinstall Idler assy	10
		Ex:T19CF4J10250112701	Remove and reinstall Ribbed belt	40

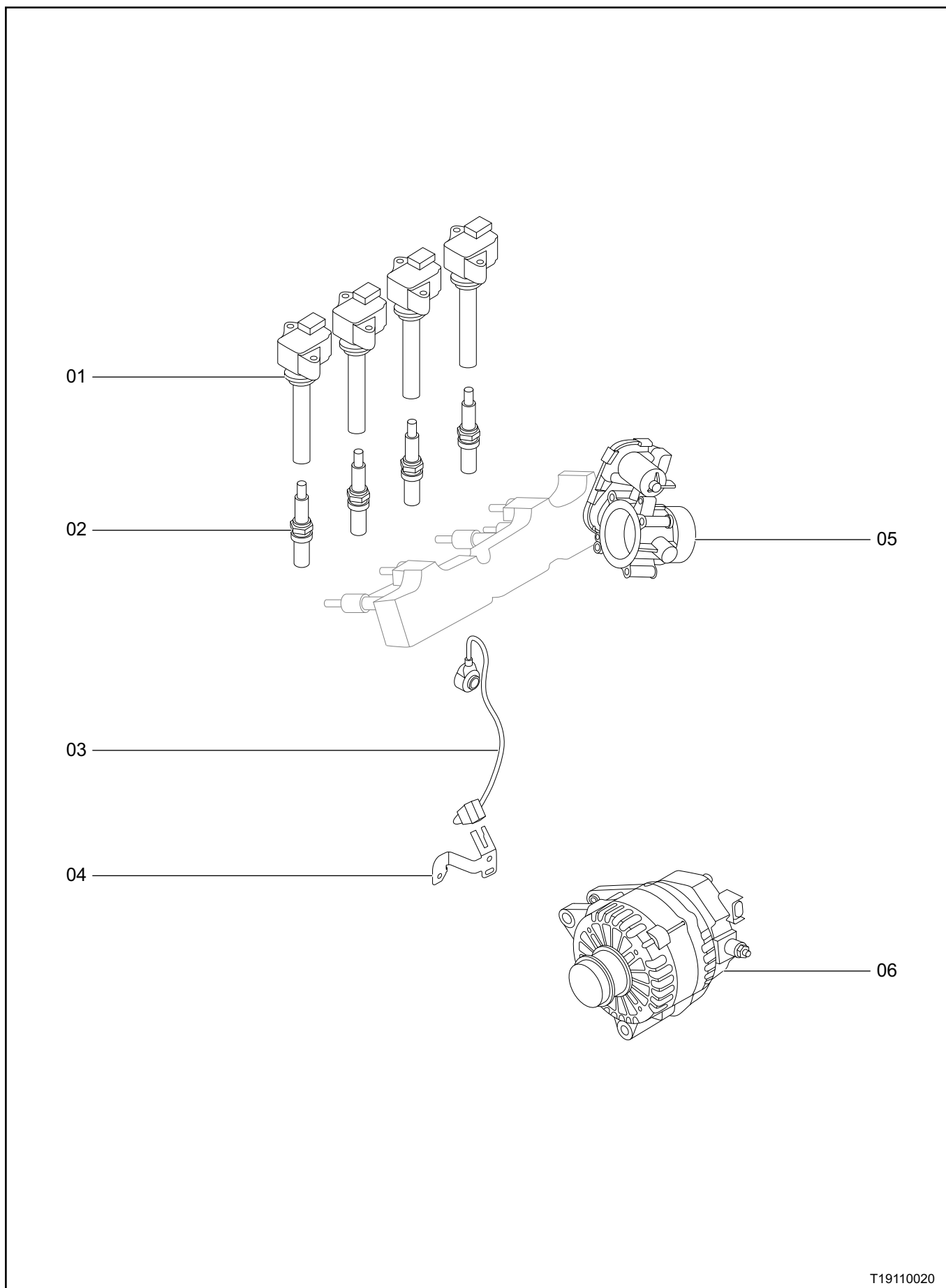
ENGINE ACCESSORY (F4J16)

Intake/exhaust system, fuel rail	11 - 2
Ignition system, electrical control component.....	11 - 4
Cooling system	11 - 6
Turbocharger	11 - 8
Engine management system	11 - 10
Engine hood trim cover	11 - 12
Air filter system	11 - 14
Exhaust hot end	11 - 16
Exhaust cold end.....	11 - 18
Fuel box and canister	11 - 20
Fuel pipe and hardware	11 - 22
Mounting system.....	11 - 24
Intercooler system.....	11 - 26
High temperature cooling system	11 - 28
Ventilation system	11 - 30



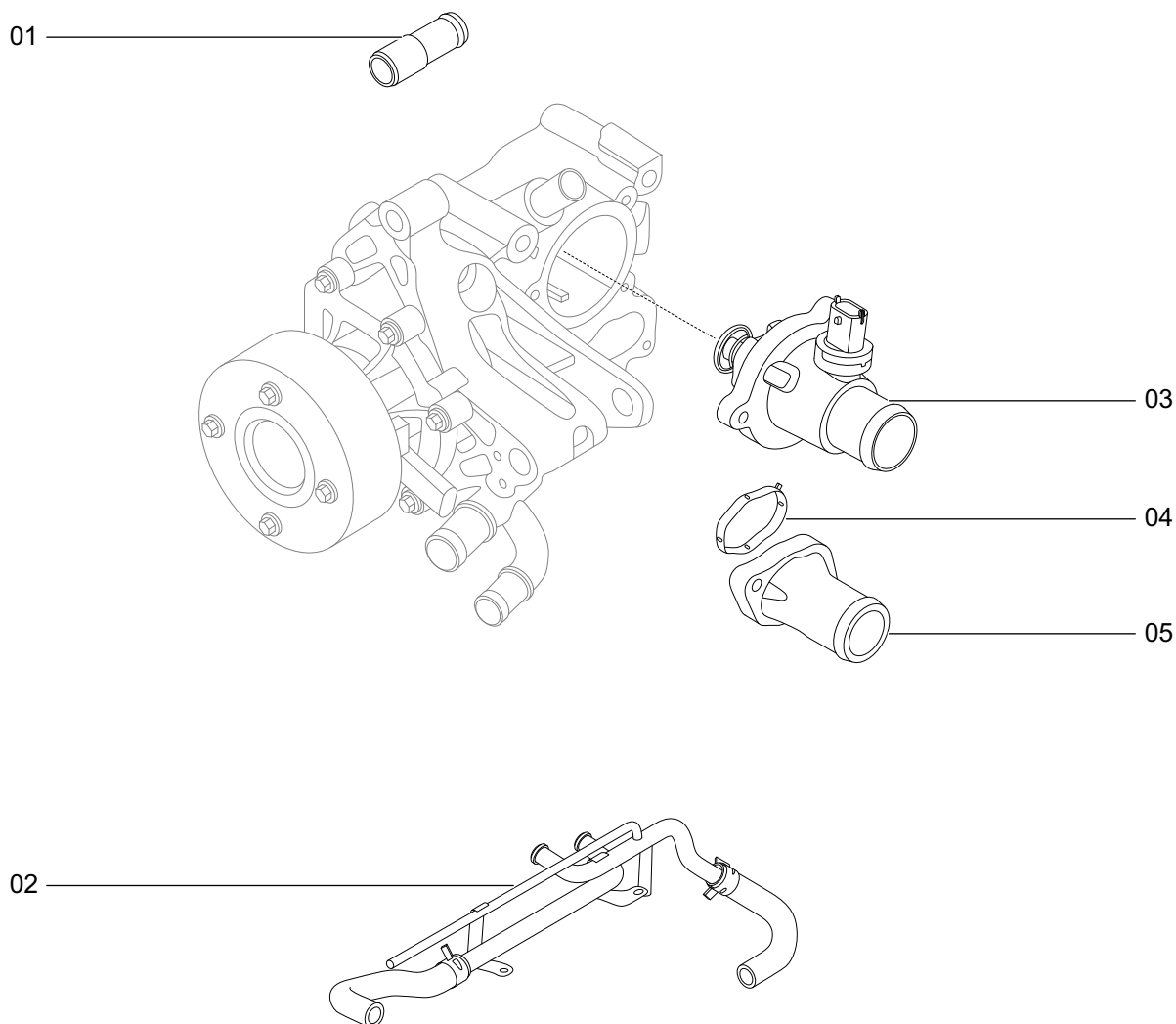
T19110010

No.	Part No.	Station No.	Station Name	Labour Time
01	F4J16-1014010BA	T19CF4J10140102701	Remove and reinstall hose - intake manifold assy	20
02	F4J16-1008010	T19CF4J10080102751	Remove and reinstall Intake manifold assy	100
		Ex:T19CF4J37650102701	Remove and reinstall Throttle valve body assy	40
03	F4J16-1121010AB	T19CF4J11210102751	Remove and reinstall Fuel rail injector assembly	40
		Ex:T19CKKK10000482701	Remove and reinstall Intake hose assy	30
04	F4J16-1121031AC	T19CF4J11210312701	Remove and reinstall Fuel Rail Injector assy sound shield	30
05	F4J16-1111011	T19CF4J11110112751	Remove and reinstall High pressure oil pump	50
		Ex:T19CKKK10000482701	Remove and reinstall Intake hose assy	30
06	F4J16-1111018	T19CF4J11110182751	Remove and reinstall High pressure oil pump sound shield	10
		Ex:T19CKKK10000482701	Remove and reinstall Intake hose assy	30
07	F4J16-1121031AB	T19CF4J11210312751	Remove and reinstall High-voltage oil pipe	30
		Ex:T19CKKK10000482701	Remove and reinstall Intake hose assy	30
08	806001101AA	T19CF4J60011012701	Remove and reinstall Injector wire harness assy	50



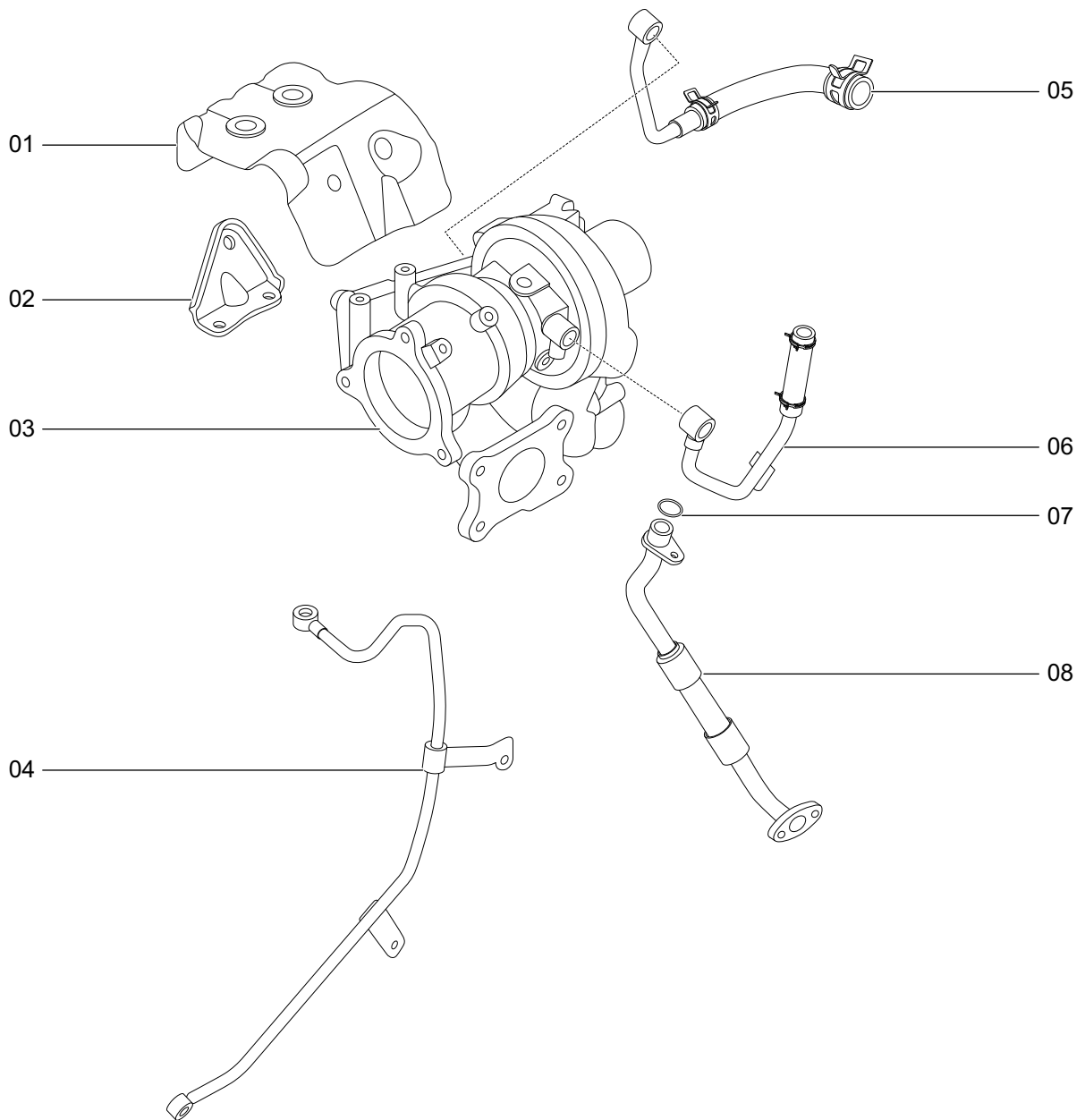
T19110020

No.	Part No.	Station No.	Station Name	Labour Time
01	F4J16-3705110AB	T19CF4J37051102701	Remove and reinstall 1-4 ignition coil assy	20
02	F4J16-3707010	T19CF4J37070102751	Remove and reinstall 1-4 spark plug assy	10
		Ex:T19CF4J37051102701	Remove and reinstall 1-4 ignition coil assy	20
03	A21-3611031	T19CF4J36110312701	Remove and reinstall Knock sensor	30
04	F4J16-3611033	T19CF4J36110332751	Remove and reinstall knock sensor bracket	10
		Ex:T19CF4J36110312701	Remove and reinstall Knock sensor	30
05	F4J16-3765010	T19CF4J37650102701	Remove and reinstall Throttle valve body assy	40
06	F4J16-3701010CA	T19CF4J37010102751	Remove and reinstall alternator assy	50
		Ex:T19CF4J10250112701	Remove and reinstall Ribbed belt	40



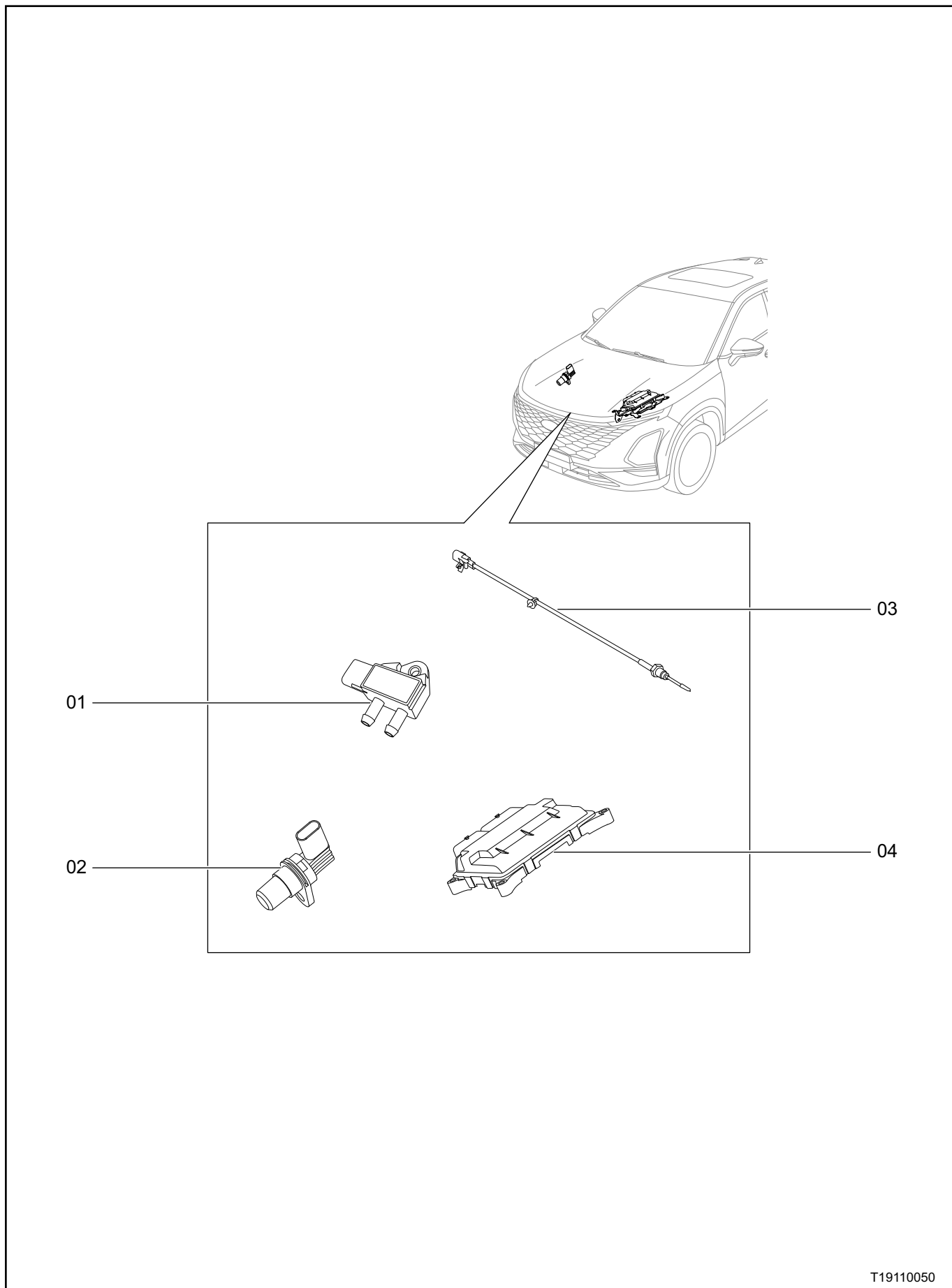
T19110030

No.	Part No.	Station No.	Station Name	Labour Time
01	371-1003063	T19CF4J10030632751	Remove and reinstall Locating sleeve - camshaft bearing cap	20
		Ex:T19CF4J10030502711	Remove and reinstall Valve chamber cover assy	60
02	302000240AA	T19CF4J20002402701	Remove and reinstall Cooling water hose assy	20
03	F4J16-1306110	T19CF4J13061102701	Remove and reinstall Electronic thermostat assy	80
04	F3J12-1306112	T19CF4J13061122751	Remove and reinstall Seal ring - engine water outlet cap	10
		Ex:T19CF4J13061112701	Remove and reinstall Engine water outlet cap	20
05	F4J16-1306111BA	T19CF4J13061112701	Remove and reinstall Engine water outlet cap	20



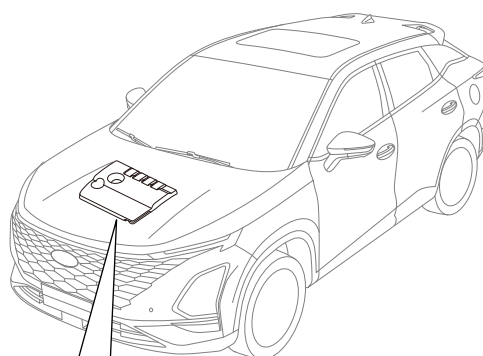
T19110040

No.	Part No.	Station No.	Station Name	Labour Time
01	F4J16-1118012AC	T19CF4J11180122701	Remove and reinstall heat insulator - turbocharger	20
02	F4J16-1118014AC	T19CF4J11180142701	Remove and reinstall bracket - turbocharger	20
03	F4J16-1118010	T19CF4J11180102751	Remove and reinstall Turbocharger	150
		Ex:T19CKKK30004642701	Remove and reinstall Catalytic converter assy	60
04	F4J16-1118031AC	T19CF4J11180312701	Remove and reinstall oil inlet pipe assembly - turbocharger	50
05	F4J16-1118051AE	T19CF4J11180512711	Remove and reinstall Water inlet pipe assy - turbocharger	30
06	F4J16-1118052AC	T19CF4J11180522701	Remove and reinstall Water outlet pipe assy - turbocharger	30
07	F4J16-1118034AC	T19CF4J11180342751	Remove and reinstall seal ring - return tubing	10
		Ex:T19CF4J11180322701	Remove and reinstall oil return pipe assembly - turbocharger	50
08	F4J16-1118032AC	T19CF4J11180322701	Remove and reinstall oil return pipe assembly - turbocharger	50

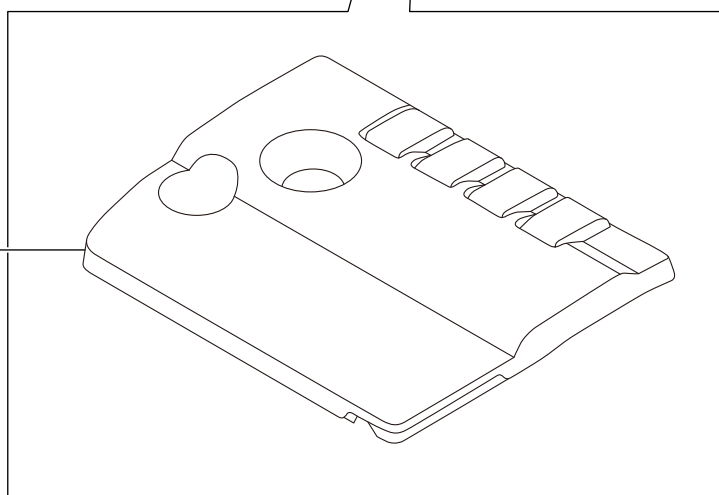


T19110050

No.	Part No.	Station No.	Station Name	Labour Time
01	131000102AA	T19CKKK10001022701	Remove and reinstall differential pressure sensor (import)	30
02	F4J16-3611021	T19CKKK36110212701	Remove and reinstall engine speed sensor	30
03	131000322AA	T19CKKK10003222701	Remove and reinstall GPF exhaust temperature sensor	30
04	131000043AA	T19CKKK10000432701	Remove and reinstall ECU control unit	50

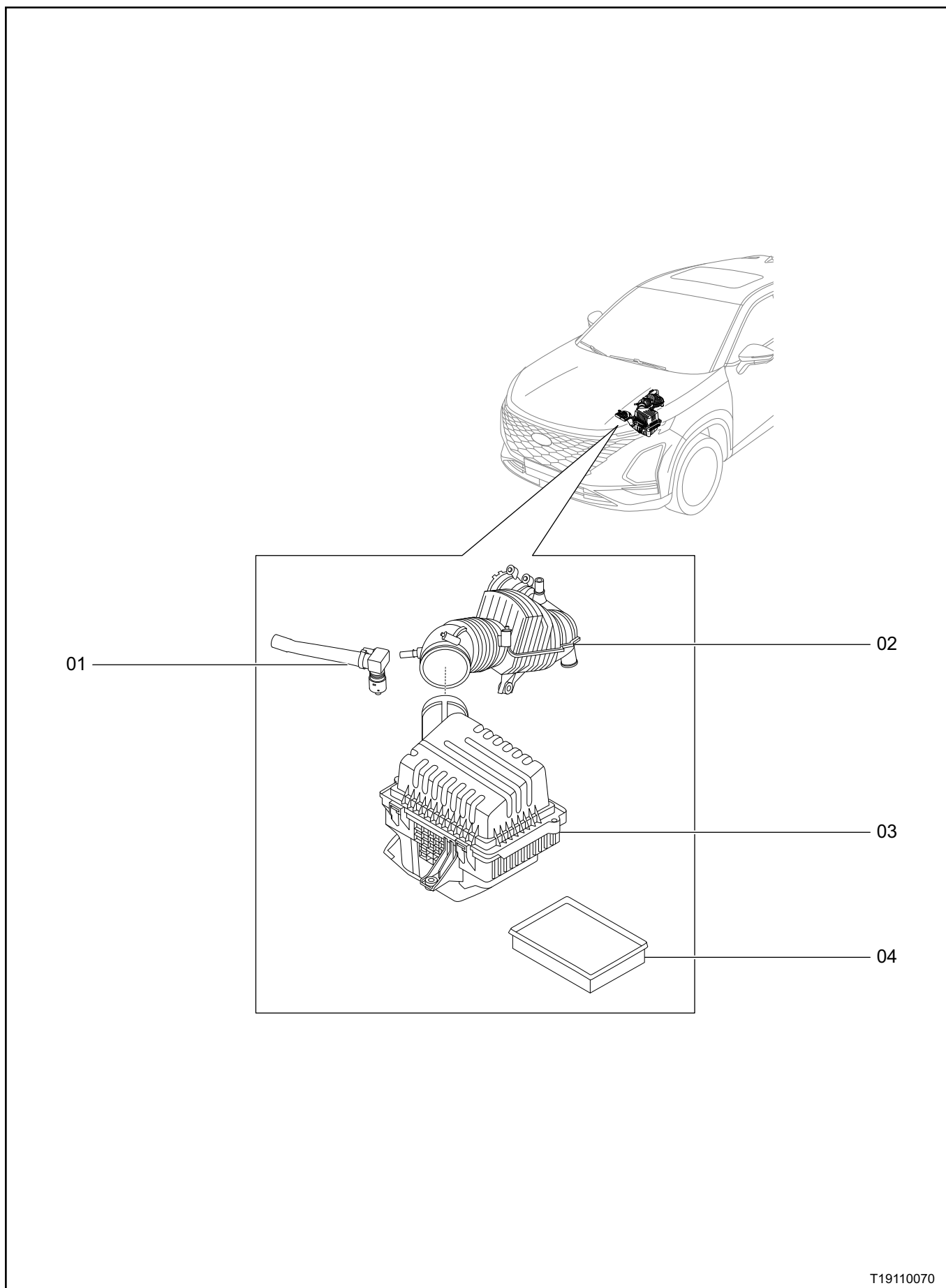


01



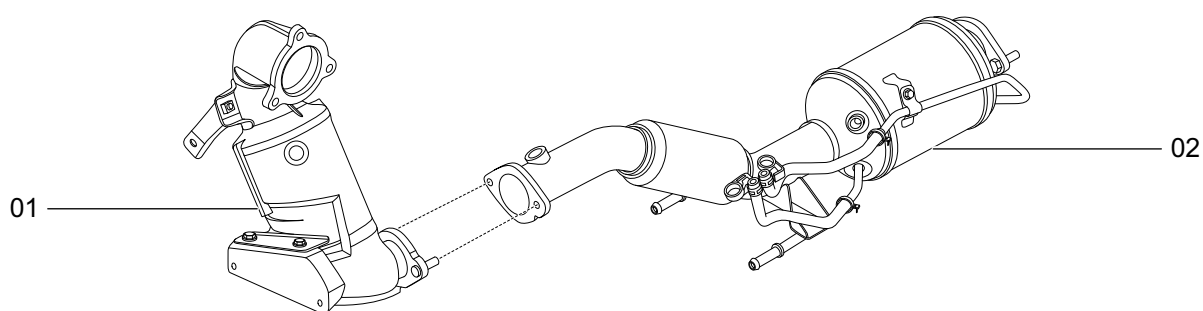
T19110060

No.	Part No.	Station No.	Station Name	Labour Time
01	151000032AA	T19CKKK10000322701	Remove and reinstall Engine trim cover assy	10



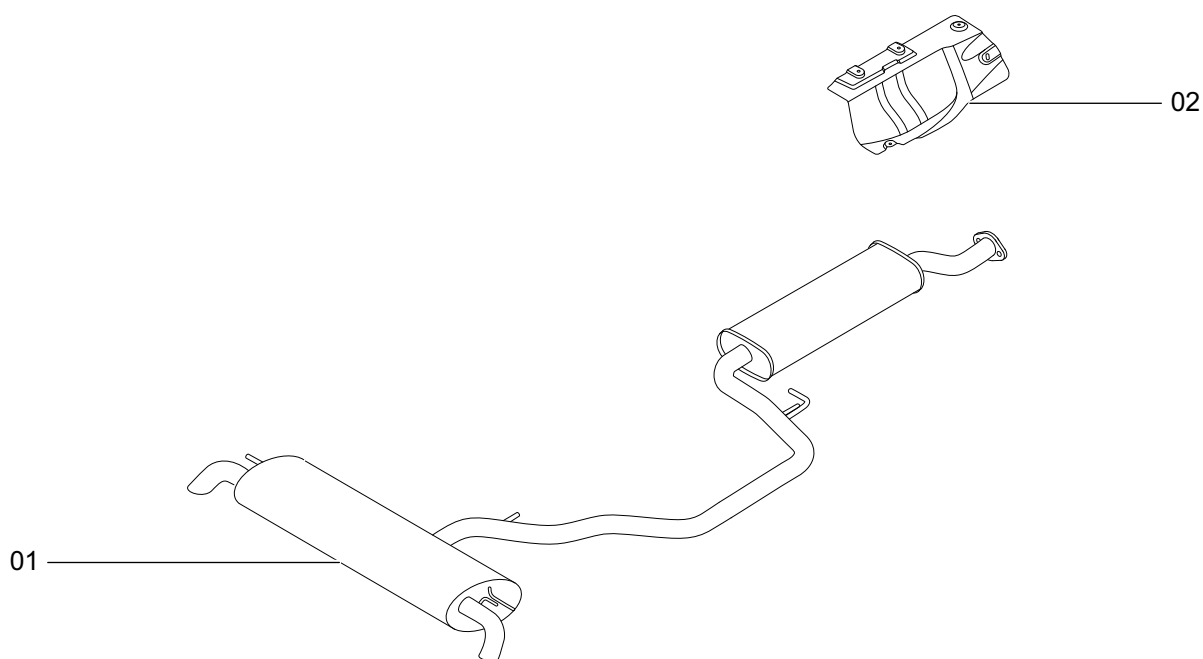
T19110070

No.	Part No.	Station No.	Station Name	Labour Time
01	F4J16-1014030	T19CKKK10140302701	Remove and reinstall Hose-intake hose assy	20
02	151000048AA	T19CKKK10000482701	Remove and reinstall Intake hose assy	30
03	151000202AA	T19CKKK10002022701	Remove and reinstall Air filter assy	30
04	151000079AA	T19CKKK10000792701	Remove and reinstall filter element	20



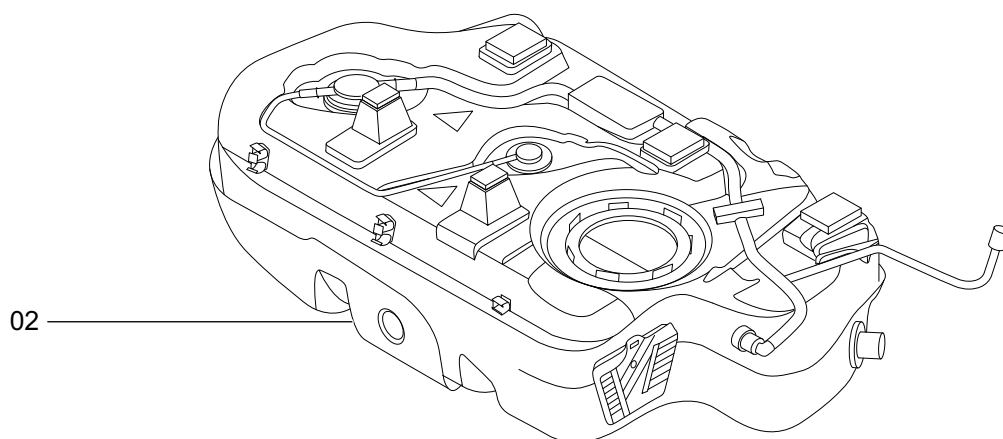
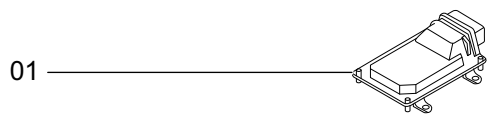
T19110080

No.	Part No.	Station No.	Station Name	Labour Time
01	153000464AA	T19CKKK30004642701	Remove and reinstall Catalytic converter assy	60
02	153000225AA	T19CKKK30002252701	Remove and reinstall GPF assy	40



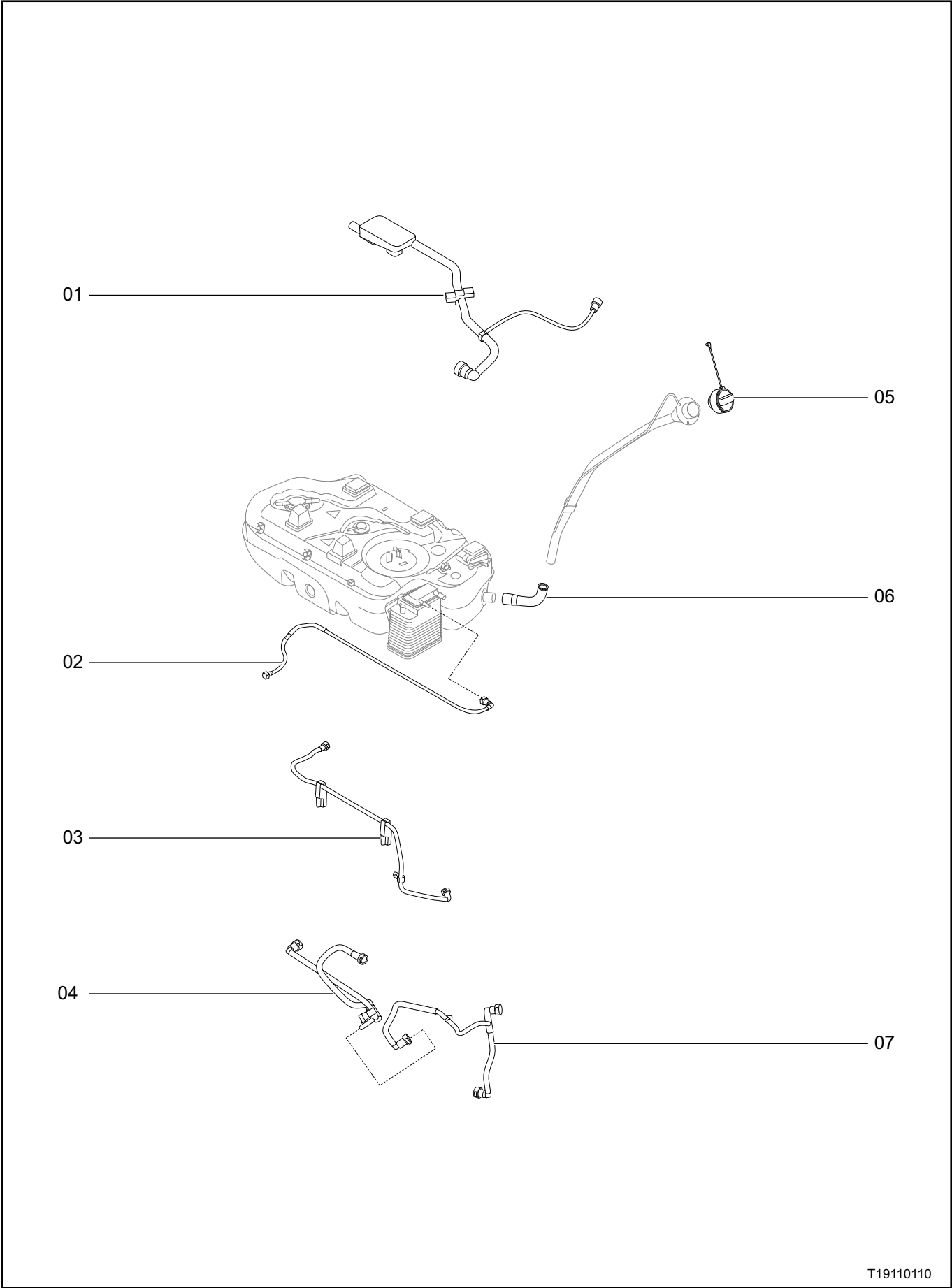
T19110090

No.	Part No.	Station No.	Station Name	Labour Time
01	153000456AA	T19CKKK30004562701	Remove and reinstall silencer assy	30
02	153000446AA	T19CKKK30004462701	Remove and reinstall Insulator II	30



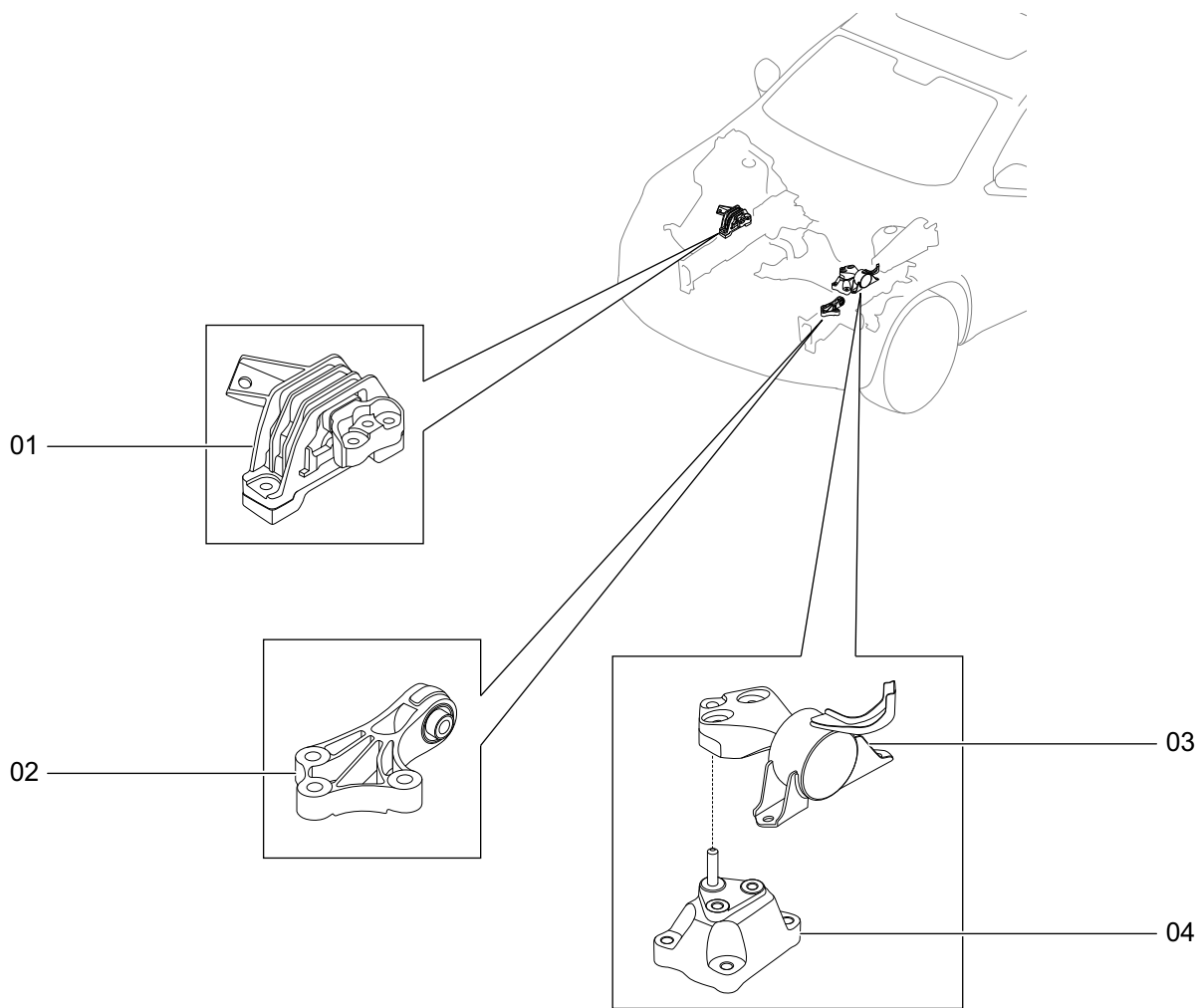
T19110100

No.	Part No.	Station No.	Station Name	Labour Time
01	155000096AA	T19CKKK50000962701	Remove and reinstall oil pump controller	20
02	155000994AA	T19CKKK50009942701	Remove and reinstall fuel tank assy	100



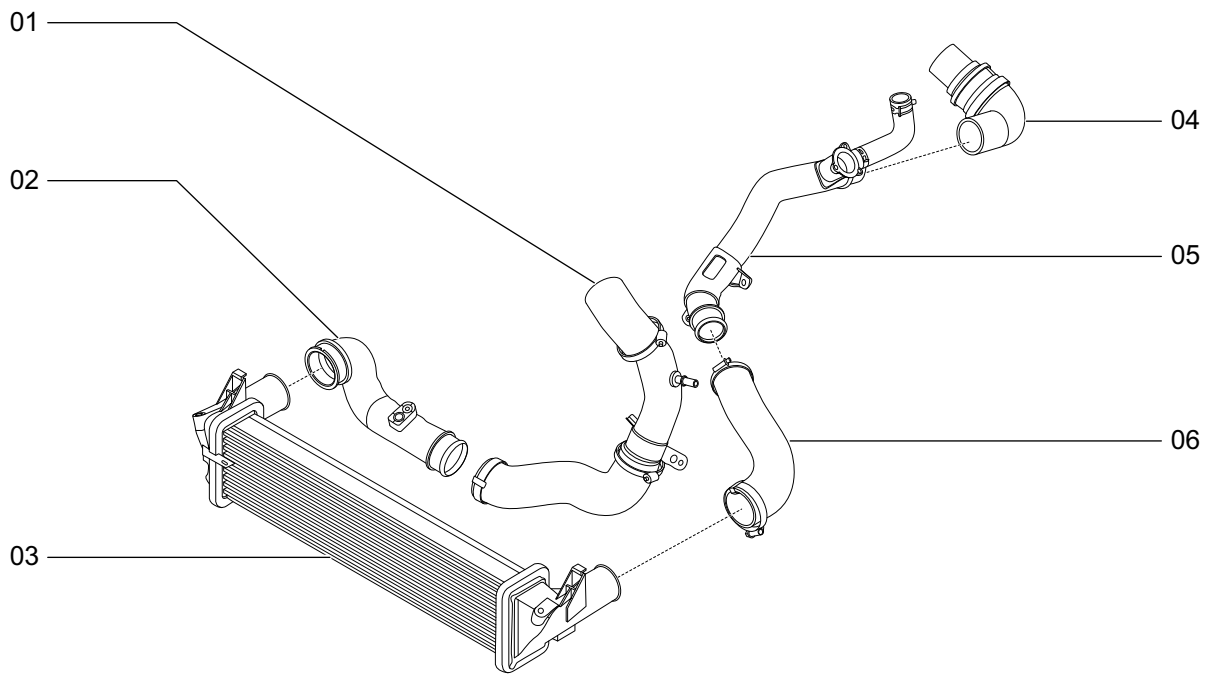
T19110110

No.	Part No.	Station No.	Station Name	Labour Time
01	155001027AA	T19CKKK50010272751	Remove and reinstall fuel steam pipe III assembly	10
		Ex:T19CKKK50009942701	Remove and reinstall fuel tank assy	100
02	155001063AA	T19CKKK50010632701	Remove and reinstall Fuel vapor pipe IV assy	20
03	155000177AA	T19CKKK50001772701	Remove and reinstall oil inlet pipe III	40
04	155000158AA	T19CKKK50001582701	Remove and reinstall Charcoal canister solenoid valve air outlet hose assy	20
05	J60-1103010	T19CKKK11030102701	Remove and reinstall fuel tank cap assembly	20
06	155001043AA	T19CKKK50010432701	Remove and reinstall filler hose	30
07	155000159AA	T19CKKK50001592701	Remove and reinstall Charcoal canister solenoid valve air outlet hose II assy	20



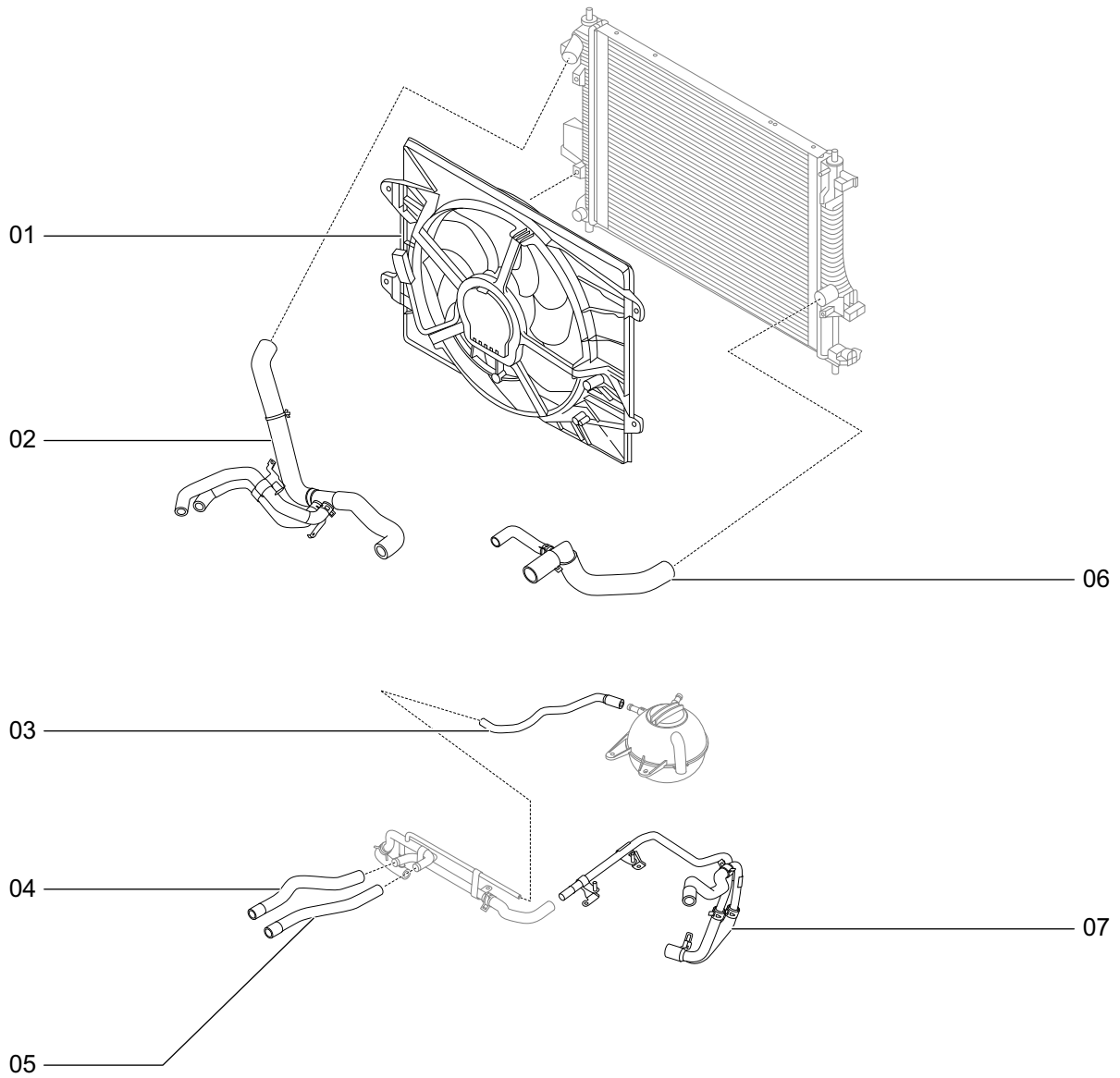
T19110120

No.	Part No.	Station No.	Station Name	Labour Time
01	206000569AA	T19CKKK60005692701	Remove and reinstall RH mounting cushion assy	50
02	206000119AA	T19CKKK60001192701	Remove and reinstall Rear mounting upper body	40
03	206000096AA	T19CKKK60000962751	Remove and reinstall LH mounting cushion assy	40
		Ex:T19CKKK70001582751	Remove and reinstall Battery tray	30
		Ex:T19CKKK70004202701	Remove and reinstall battery assy	20
04	206000117AA	T19CKKK60001172751	Remove and reinstall LH mounting bracket assy	20
		Ex:T19CKKK60000962751	Remove and reinstall LH mounting cushion assy	40
		Ex:T19CKKK70001582751	Remove and reinstall Battery tray	30
		Ex:T19CKKK70004202701	Remove and reinstall battery assy	20



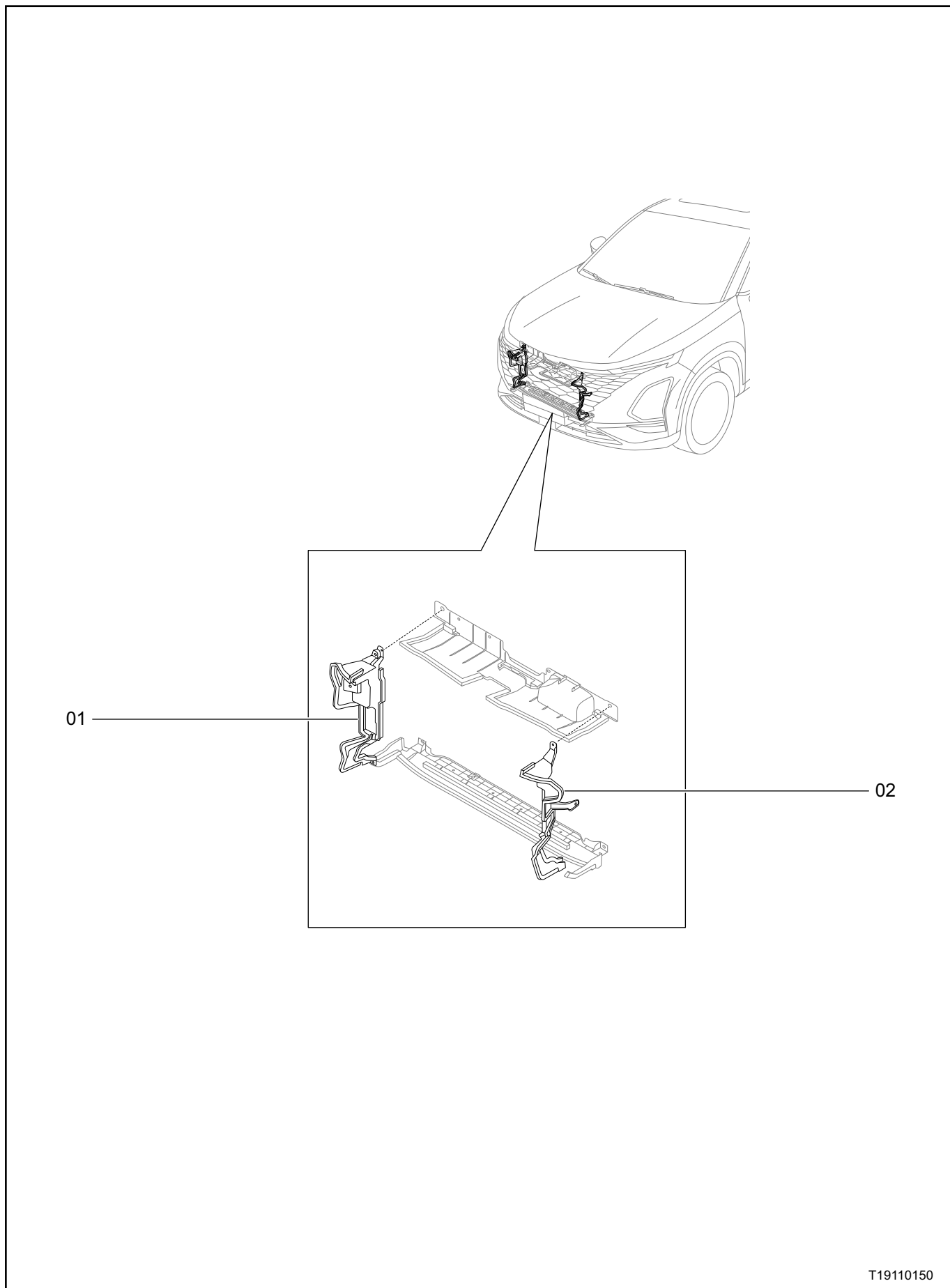
T19110130

No.	Part No.	Station No.	Station Name	Labour Time
01	302001355AA	T19CKKK20013552751	Remove and reinstall intercooler outlet pipe assy II	30
		Ex:T19CKKK20019292701	Remove and reinstall engine LWR protector	20
02	302001264AA	T19CKKK20012642751	Remove and reinstall Intercooler outlet pipe assy I	20
		Ex:T19CKKK20019292701	Remove and reinstall engine LWR protector	20
03	302001149AA	T19CKKK20011492751	Remove and reinstall intercooler assy	40
		Ex:T19CKKK20027772701	Remove and reinstall FR bumper UPR body	50
04	302001278AA	T19CKKK20012782701	Remove and reinstall Intercooler inlet pipe assy I	70
05	302000128AA	T19CKKK20001282701	Remove and reinstall Intercooler inlet pipe assy II	60
06	302000129AA	T19CKKK20001292751	Remove and reinstall Intercooler inlet pipe assy III	30
		Ex:T19CKKK20019292701	Remove and reinstall engine LWR protector	20



T19110140

No.	Part No.	Station No.	Station Name	Labour Time
01	302000842AA	T19CKKK20008422701	Remove and reinstall Cooling fan assy	50
02	302000236AA	T19CKKK20002362751	Remove and reinstall Engine water inlet pipe	30
		Ex:T19CKKK47041132201	Drain and fill antifreeze coolant	40
03	302000446AA	T19CKKK20004462701	Remove and reinstall Engine to expansion tank water hose	20
04	302001247AA	T19CKKK20012472751	Remove and reinstall Heater water outlet pipe	30
		Ex:T19CKKK47041132201	Drain and fill antifreeze coolant	40
05	302001246AA	T19CKKK20012462751	Remove and reinstall Heater water inlet pipe	30
		Ex:T19CKKK47041132201	Drain and fill antifreeze coolant	40
06	302000235AA	T19CKKK20002352751	Remove and reinstall Engine water outlet pipe	20
		Ex:T19CKKK47041132201	Drain and fill antifreeze coolant	40
07	302000239AA	T19CKKK20002392701	Remove and reinstall Expansion tank water inlet pipe assy	10

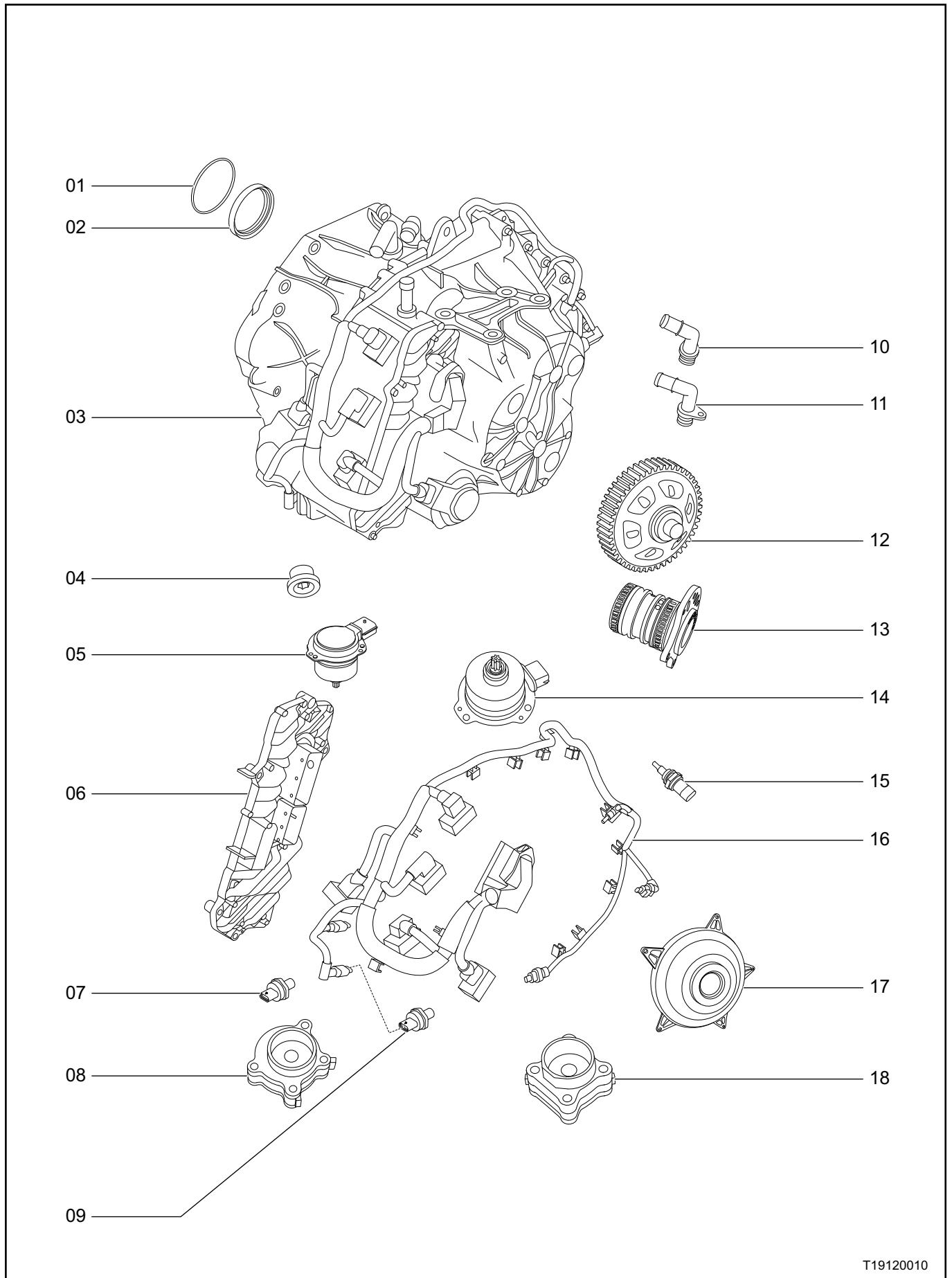


T19110150

No.	Part No.	Station No.	Station Name	Labour Time
01	302001179AA	T19CKKK20011792751	Remove and reinstall air guide panel assy RH	20
		Ex:T19CKKK20027772701	Remove and reinstall FR bumper UPR body	50
02	302001178AA	T19CKKK20011782751	Remove and reinstall air guide panel assy LH	20
		Ex:T19CKKK20027772701	Remove and reinstall FR bumper UPR body	50

TRANSMISSION SHIFT MECHANISM (F4J16)

Transmission 12 - 2



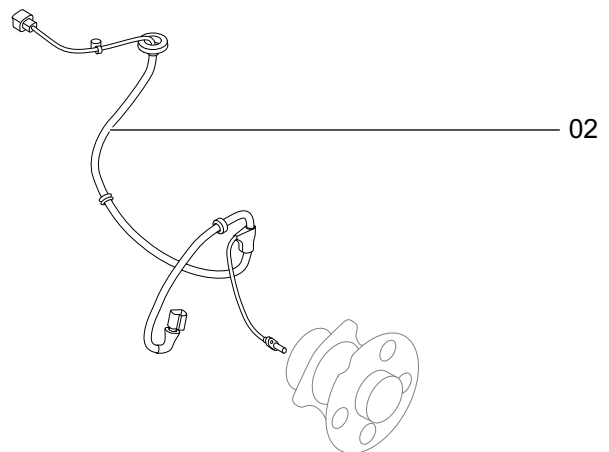
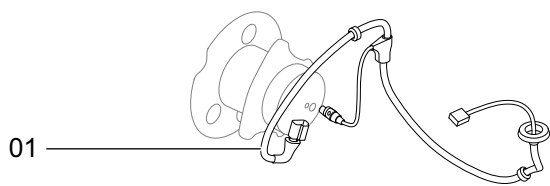
T19120010

No.	Part No.	Station No.	Station Name	Labour Time
01	9009084561	T19C7DC09084562701	Remove and reinstall O ring	30
02	9009069560	T19C7DC09069562751	Remove and reinstall oil seal	0
		Ex:T19CCKK40002382711	Remove and reinstall FR drive shaft assy LH	80
03	121000059AA	T19C7DC10000592701	Remove and reinstall Automatic transmission assy	400
04	9009027315	T19C7DC09027312701	Remove and reinstall add/drain oil plugs	20
05	2517255213	T19C7DC17255212751	Remove and reinstall Motor clutch	30
		Ex:T19CCKK20019292701	Remove and reinstall engine LWR protector	20
06	2510267100P	T19C7DC10267102701	Remove and reinstall TCU	50
07	2517262301	T19C7DC17262302751	Remove and reinstall Pressure sensor 2	10
		Ex:T19CCKK20019292701	Remove and reinstall engine LWR protector	20
08	2510204510	T19C7DC10204512751	Remove and reinstall clutch cooling pump	20
		Ex:T19C7DC17255212751	Remove and reinstall Motor clutch	30
		Ex:T19CCKK20019292701	Remove and reinstall engine LWR protector	20
09	2517254501	T19C7DC17254502751	Remove and reinstall Pressure sensor 1	10
		Ex:T19CCKK20019292701	Remove and reinstall engine LWR protector	20
10	2510117801	T19C7DC10117802751	Remove and reinstall coolant connection pipe assembly	20
		Ex:T19C7DC10117902701	Remove and reinstall transmission water inlet pipe interface	50
11	2510117901	T19C7DC10117902701	Remove and reinstall transmission water inlet pipe interface	50
12	2510174003	T19C7DC10174002751	Remove and reinstall wet dual clutch asm	80
		Ex:T19C7DC10000592701	Remove and reinstall Automatic transmission assy	400
13	2510170100	T19C7DC10170102751	Remove and reinstall clutch support assembly	20
		Ex:T19C7DC10174002751	Remove and reinstall wet dual clutch asm	80
		Ex:T19C7DC10000592701	Remove and reinstall Automatic transmission assy	400
14	2517255313	T19C7DC17255312701	Remove and reinstall shift motor	70
15	2517256601	T19C7DC17256602701	Remove and reinstall Temperature sensor	20
16	2517262401	T19C7DC17262402751	Remove and reinstall Wire harness	50
		Ex:T19CCKK70001582751	Remove and reinstall Battery tray	30
		Ex:T19CCKK70004202701	Remove and reinstall battery assy	20
17	2510105306	T19C7DC10105302751	Remove and reinstall clutch cover assembly	20
		Ex:T19C7DC10000592701	Remove and reinstall Automatic transmission assy	400
18	2510200913	T19C7DC10200912751	Remove and reinstall clutch acting pump	20

No.	Part No.	Station No.	Station Name	Labour Time
		Ex:T19C7DC17255212751	Remove and reinstall Motor clutch	30
		Ex:T19CKKK20019292701	Remove and reinstall engine LWR protector	20

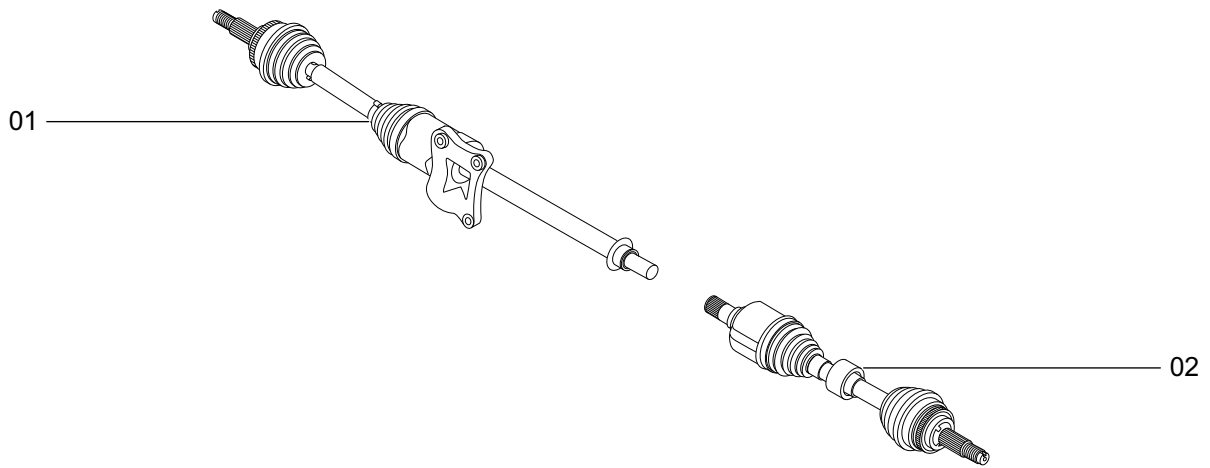
CHASSIS (F4J16)

Vehicle dynamic control system	13 - 2
Drive shaft	13 - 4
Vacuum system diagram	13 - 6
FR suspension.....	13 - 8
RR suspension	13 - 10
Wheel brake pipe.....	13 - 13
Sub frame	13 - 15



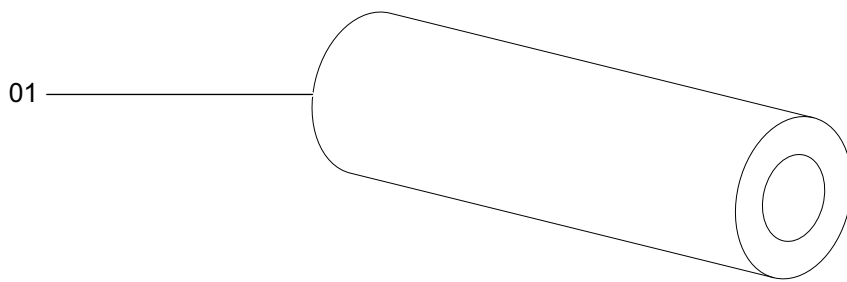
T19130010

No.	Part No.	Station No.	Station Name	Labour Time
01	207000070AA	T19CKKK70000702701	Remove and reinstall RR wheel speed sensor with caliper wire harness assy RH	30
02	207000069AA	T19CKKK70000692701	Remove and reinstall RR wheel speed sensor with caliper wire harness assy LH	30



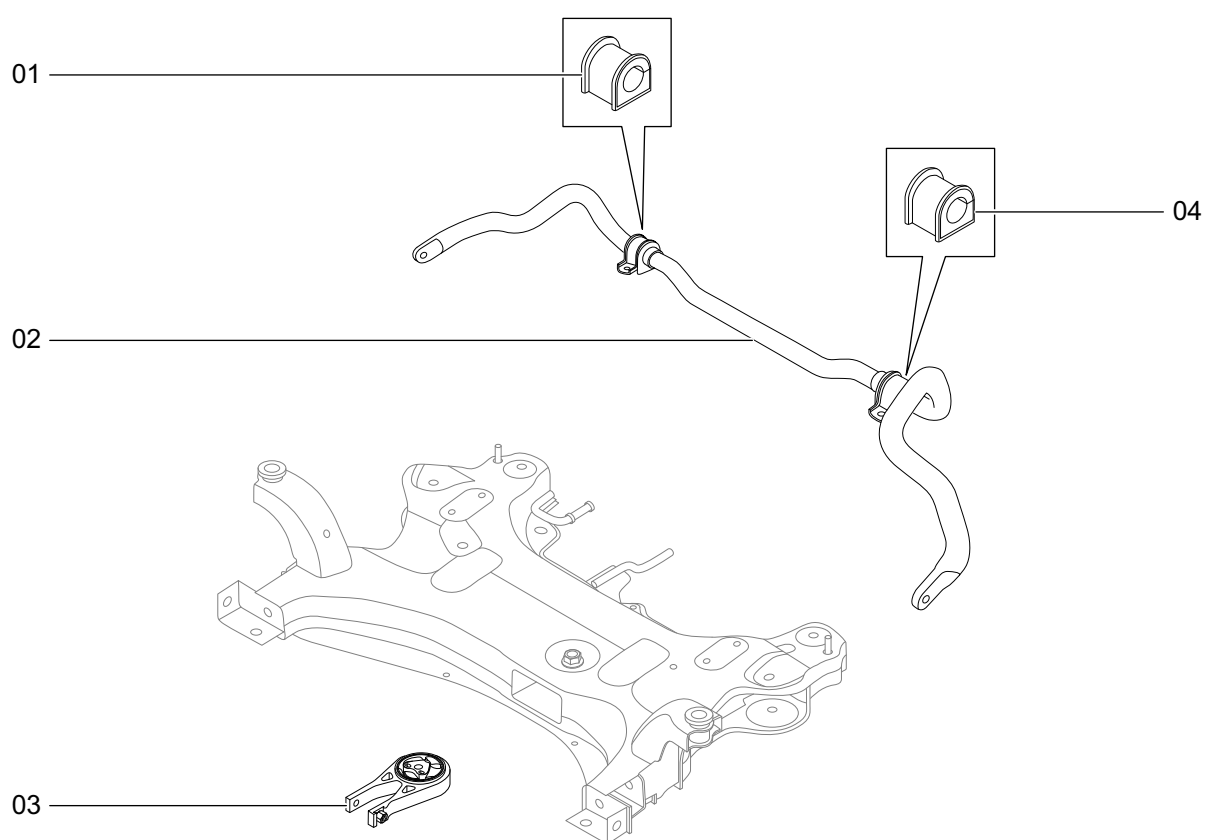
T19130020

No.	Part No.	Station No.	Station Name	Labour Time
01	154000239AA	T19CKKK40002392711	Remove and reinstall FR drive shaft assy RH	80
02	154000238AA	T19CKKK40002382711	Remove and reinstall FR drive shaft assy LH	80



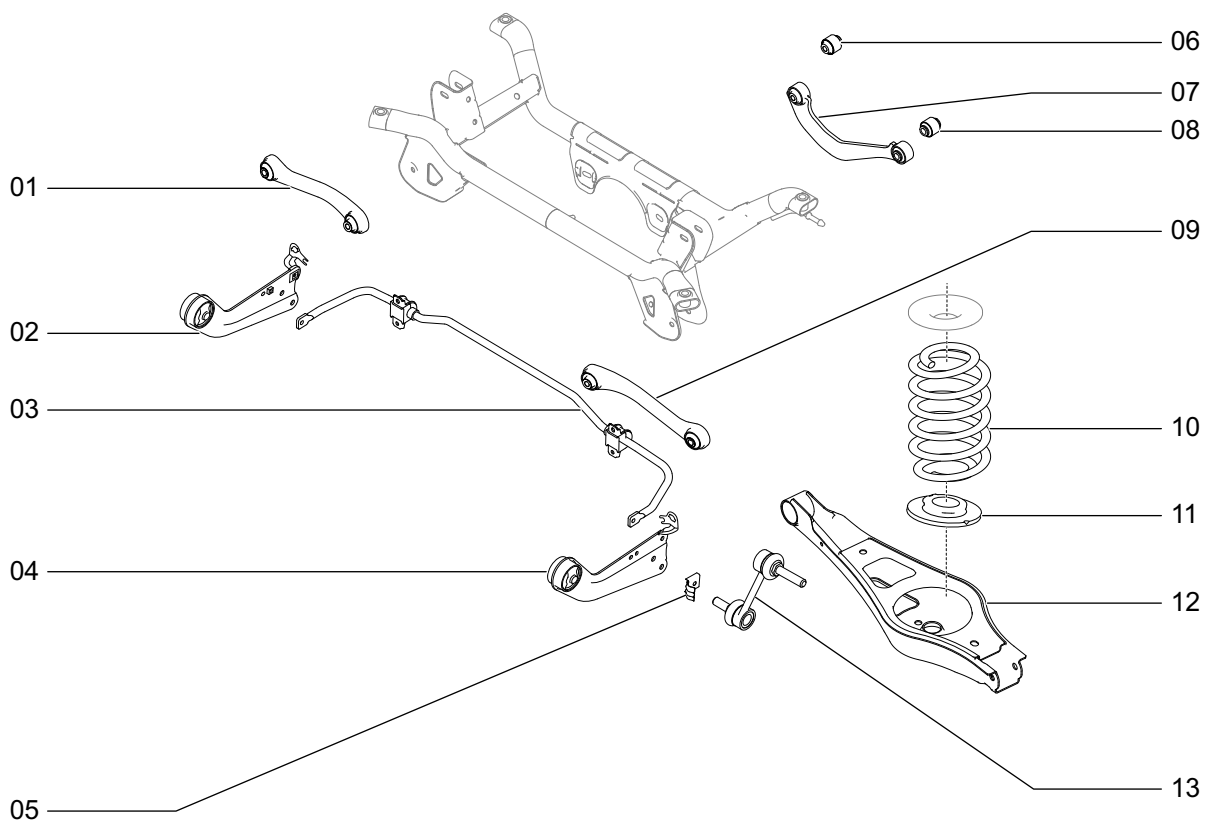
T19130040

No.	Part No.	Station No.	Station Name	Labour Time
01	159000013AA	T19CKKK90000132701	Remove and reinstall Vacuum hose	20



T19130050

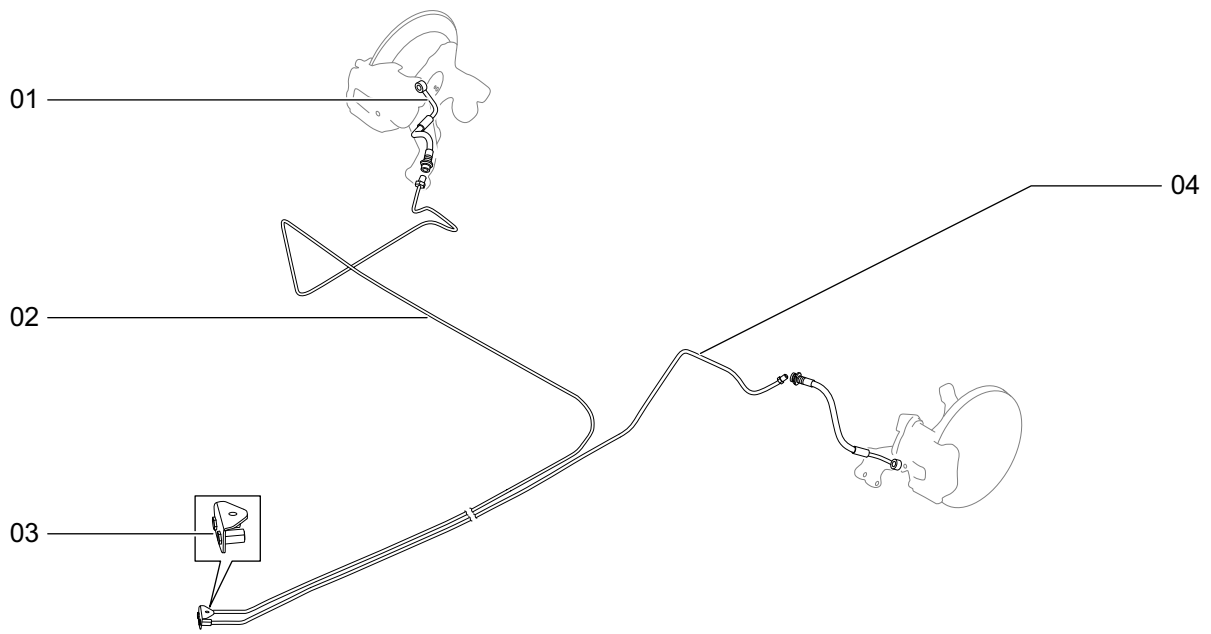
No.	Part No.	Station No.	Station Name	Labour Time
01	202000406AA	T19CKKK20004062701	Remove and reinstall FR stabilizer rod sleeve RH	30
02	T15-2906010	T19CKKK29060102701	Remove and reinstall FR stabilizer rod assy	70
03	206000100AA	T19CKKK60001002701	Remove and reinstall Rear mounting lower body	30
04	202000405AA	T19CKKK20004052701	Remove and reinstall FR stabilizer rod sleeve LH	30



T19130060

No.	Part No.	Station No.	Station Name	Labour Time
01	202000233AA	T19CKKK20002332701	Remove and reinstall right pull rod assembly	50
02	202000490AA	T19CKKK20004902751	Remove and reinstall RR trailing arm assy RH	40
		Ex:T19CKKK10000001200	Four-wheel alignment	180
03	202001644AA	T19CKKK20016442701	Remove and reinstall RR stabilizer bar assy	50
04	202000489AA	T19CKKK20004892751	Remove and reinstall RR towing arm assy LH	40
		Ex:T19CKKK10000001200	Four-wheel alignment	180
05	M11-2906031	T19CKKK29060312701	Remove and reinstall RR connecting rod boot LH	30
		T19CKKK29060312711	Remove and reinstall RR connecting rod boot RH	30
06	M11-2919150	T19CKKK29191502751	Remove and reinstall RR UPR control arm rubber INR sleeve assy LH	20
		Ex:T19CKKK20000622751	Remove and reinstall RR UPR control arm assy LH (for both LH and RH)	50
		Ex:T19CKKK10000001200	Four-wheel alignment	180
		T19CKKK29191502761	Remove and reinstall RR UPR control arm rubber INR sleeve assy RH	20
		Ex:T19CKKK20000622761	Remove and reinstall RR UPR control arm assy RH (for both LH and RH)	50
		Ex:T19CKKK10000001200	Four-wheel alignment	180
07	202000062AA	T19CKKK20000622751	Remove and reinstall RR UPR control arm assy LH (for both LH and RH)	50
		Ex:T19CKKK10000001200	Four-wheel alignment	180
		T19CKKK20000622761	Remove and reinstall RR UPR control arm assy RH (for both LH and RH)	50
		Ex:T19CKKK10000001200	Four-wheel alignment	180
08	M11-2919130	T19CKKK29191302751	Remove and reinstall RR UPR control arm rubber OTR sleeve assy	20
		Ex:T19CKKK20000622751	Remove and reinstall RR UPR control arm assy LH (for both LH and RH)	50
		Ex:T19CKKK10000001200	Four-wheel alignment	180
		T19CKKK29191302761	Remove and reinstall RR UPR control arm rubber OTR sleeve assy RH	20
		Ex:T19CKKK20000622761	Remove and reinstall RR UPR control arm assy RH (for both LH and RH)	50
		Ex:T19CKKK10000001200	Four-wheel alignment	180
09	202000232AA	T19CKKK20002322701	Remove and reinstall left pull rod assembly	50
10	202001641AA	T19CKKK20016412751	Remove and reinstall RR coil spring LH	50
		Ex:T19CKKK10000001200	Four-wheel alignment	180
		T19CKKK20016412761	Remove and reinstall RR coil spring RH	50

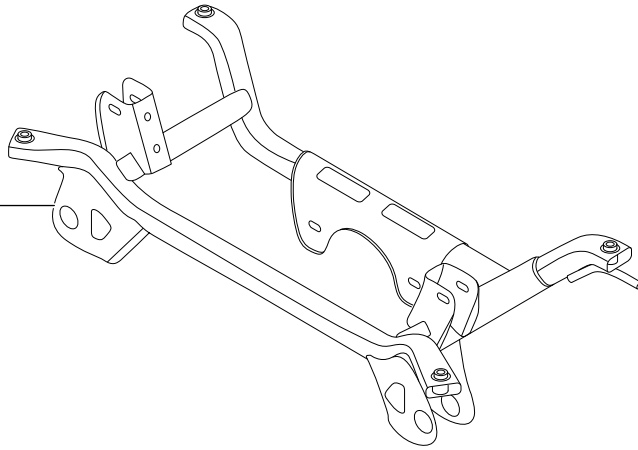
No.	Part No.	Station No.	Station Name	Labour Time
		Ex:T19CKKK10000001200	Four-wheel alignment	180
11	M11-2911045	T19CKKK29110452751	Remove and reinstall RR coil spring LWR pad	0
		Ex:T19CKKK20016412751	Remove and reinstall RR coil spring LH	50
		Ex:T19CKKK10000001200	Four-wheel alignment	180
		T19CKKK29110452761	Remove and reinstall RR coil spring LWR pad RH	0
		Ex:T19CKKK20016412761	Remove and reinstall RR coil spring RH	50
		Ex:T19CKKK10000001200	Four-wheel alignment	180
12	202000231AA	T19CKKK20002312751	Remove and reinstall RR LWR control arm assy LH (for both LH and RH)	40
		Ex:T19CKKK10000001200	Four-wheel alignment	180
		T19CKKK20002312761	Remove and reinstall RR LWR control arm assy RH (for both LH and RH)	40
		Ex:T19CKKK10000001200	Four-wheel alignment	180
13	M11-2916030	T19CKKK29160302701	Remove and reinstall RR connecting rod assy LH	30
		T19CKKK29160302711	Remove and reinstall right rear connecting rod assembly	30



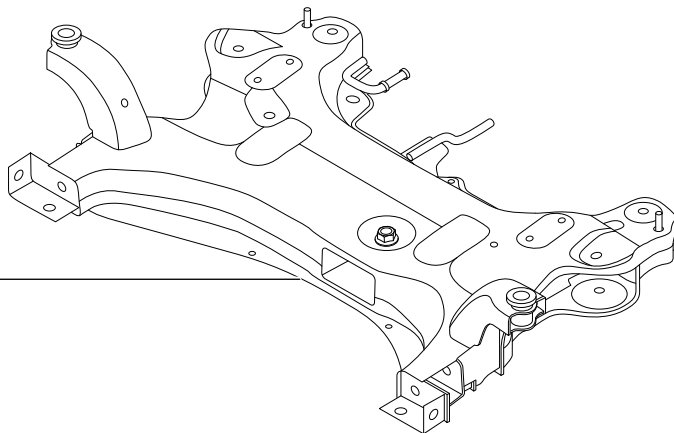
T19130070

No.	Part No.	Station No.	Station Name	Labour Time
01	T15-3506150EP	T19CKKK35061502751	Remove and reinstall RR brake hose assy	30
		Ex:T19CKKK47031112021	Drain and fill brake fluid	50
02	J68-3506080	T19CKKK35060802751	Remove and reinstall RR brake pipe II assy RH	40
		Ex:T19CKKK47031112021	Drain and fill brake fluid	50
03	J26-3506059	T19CKKK35060592751	Remove and reinstall Joint	20
		Ex:T19CKKK47031112021	Drain and fill brake fluid	50
04	J68-3506070	T19CKKK35060702751	Remove and reinstall RR brake pipe II assy LH	40
		Ex:T19CKKK47031112021	Drain and fill brake fluid	50

01



02

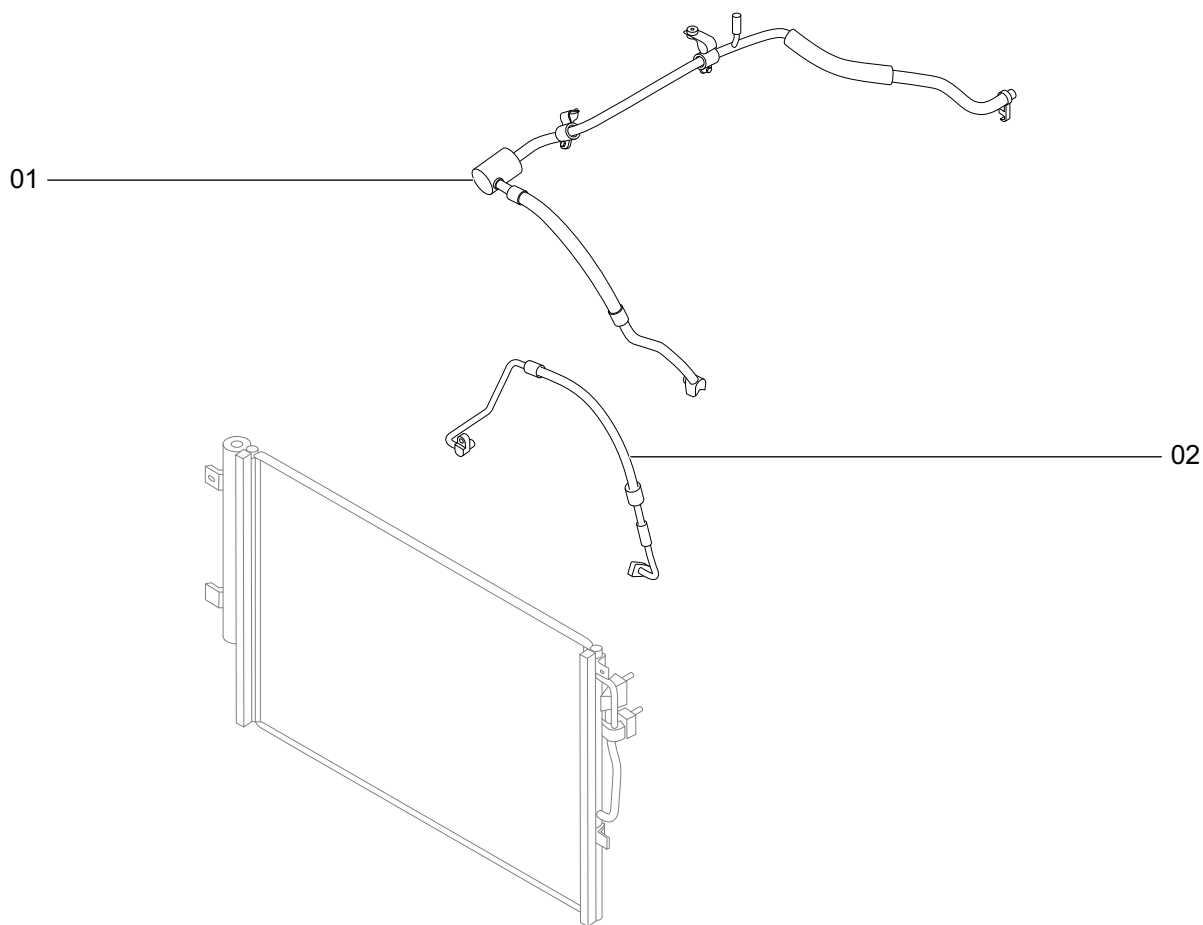


T19130080

No.	Part No.	Station No.	Station Name	Labour Time
01	205000141AA	T19CKKK50001412751	Remove and reinstall RR frame-sub	180
		Ex:T19CKKK10000001200	Four-wheel alignment	180
02	205000080AA	T19CKKK50000802751	Remove and reinstall FR sub frame assy	220
		Ex:T19CKKK10000001200	Four-wheel alignment	180

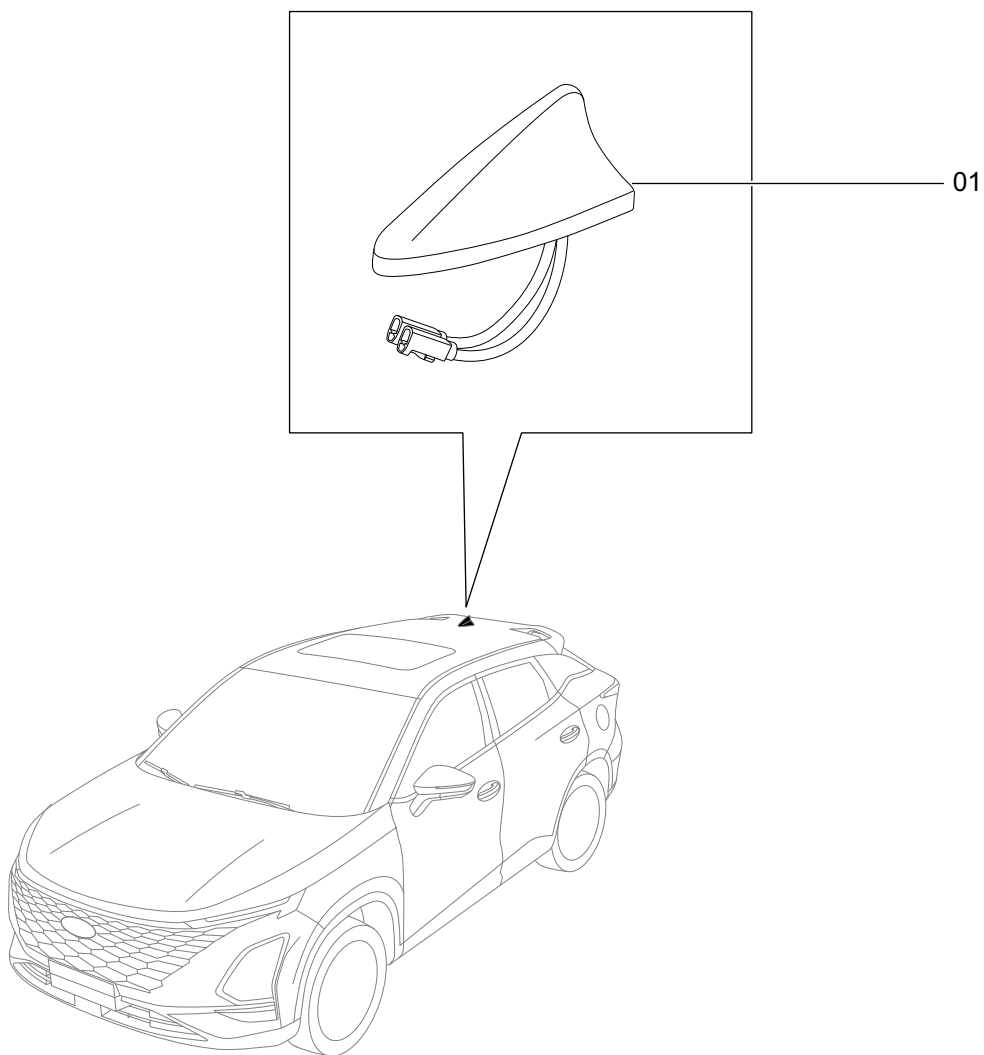
ELECTRICAL (F4J16)

Refrigeration pipeline and components	14 - 2
Antenna	14 - 4
Wire harness	14 - 6
Power supply system	14 - 8
Power supply distribution unit	14 - 10



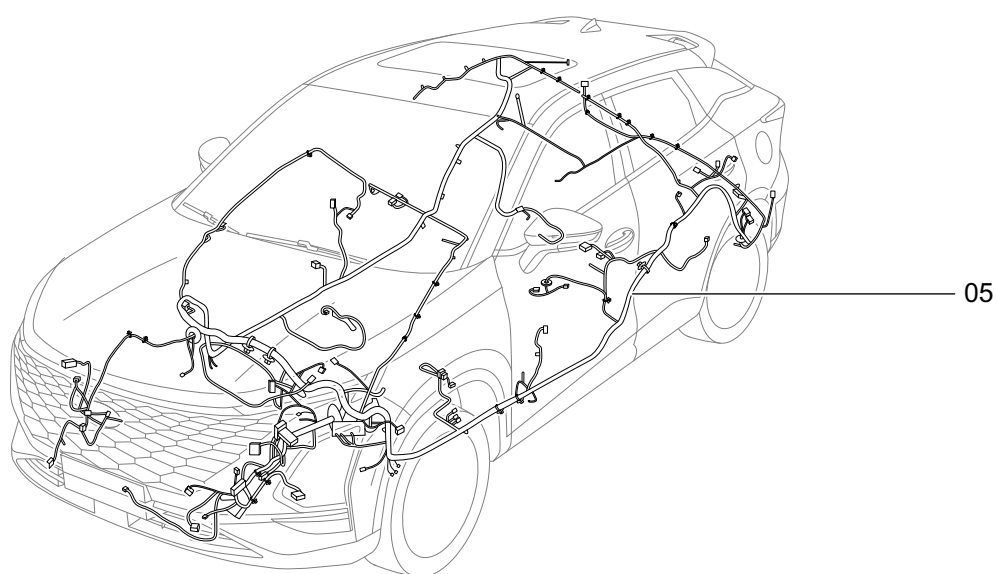
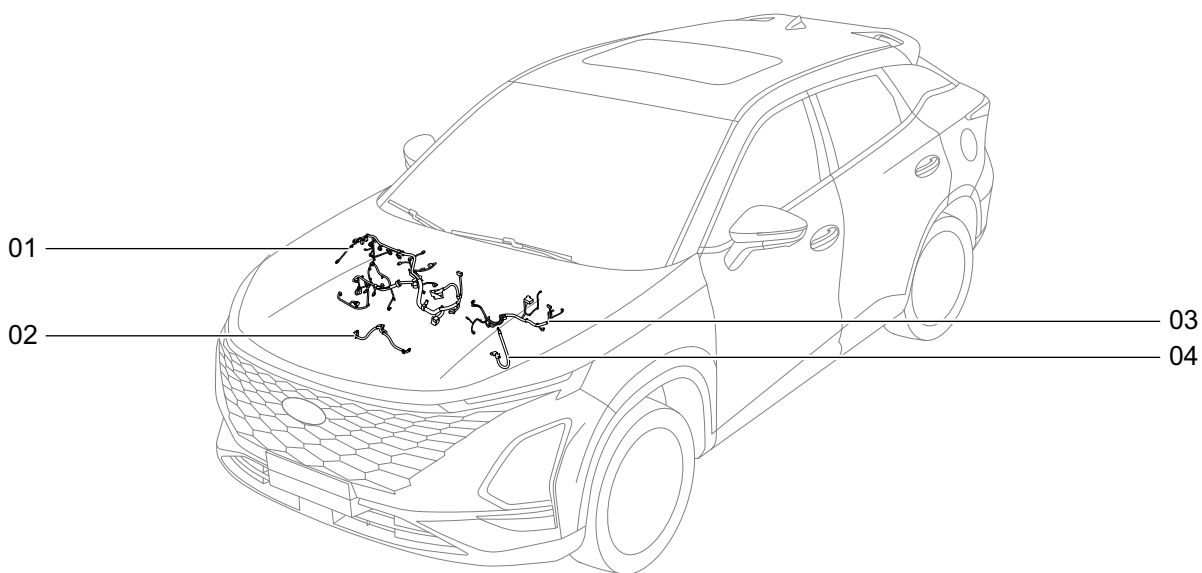
T19140010

No.	Part No.	Station No.	Station Name	Labour Time
01	301001260AA	T19CKKK10012602751	Remove and reinstall evaporator - compressor pipeline assy	30
		Ex:T19CKKK47020112201	Drain and fill refrigerant R134a	50
02	301001388AA	T19CKKK10013882751	Remove and reinstall compressor - condenser line assy	20
		Ex:T19CKKK47020112201	Drain and fill refrigerant R134a	50
		Ex:T19CKKK20027772701	Remove and reinstall FR bumper UPR body	50



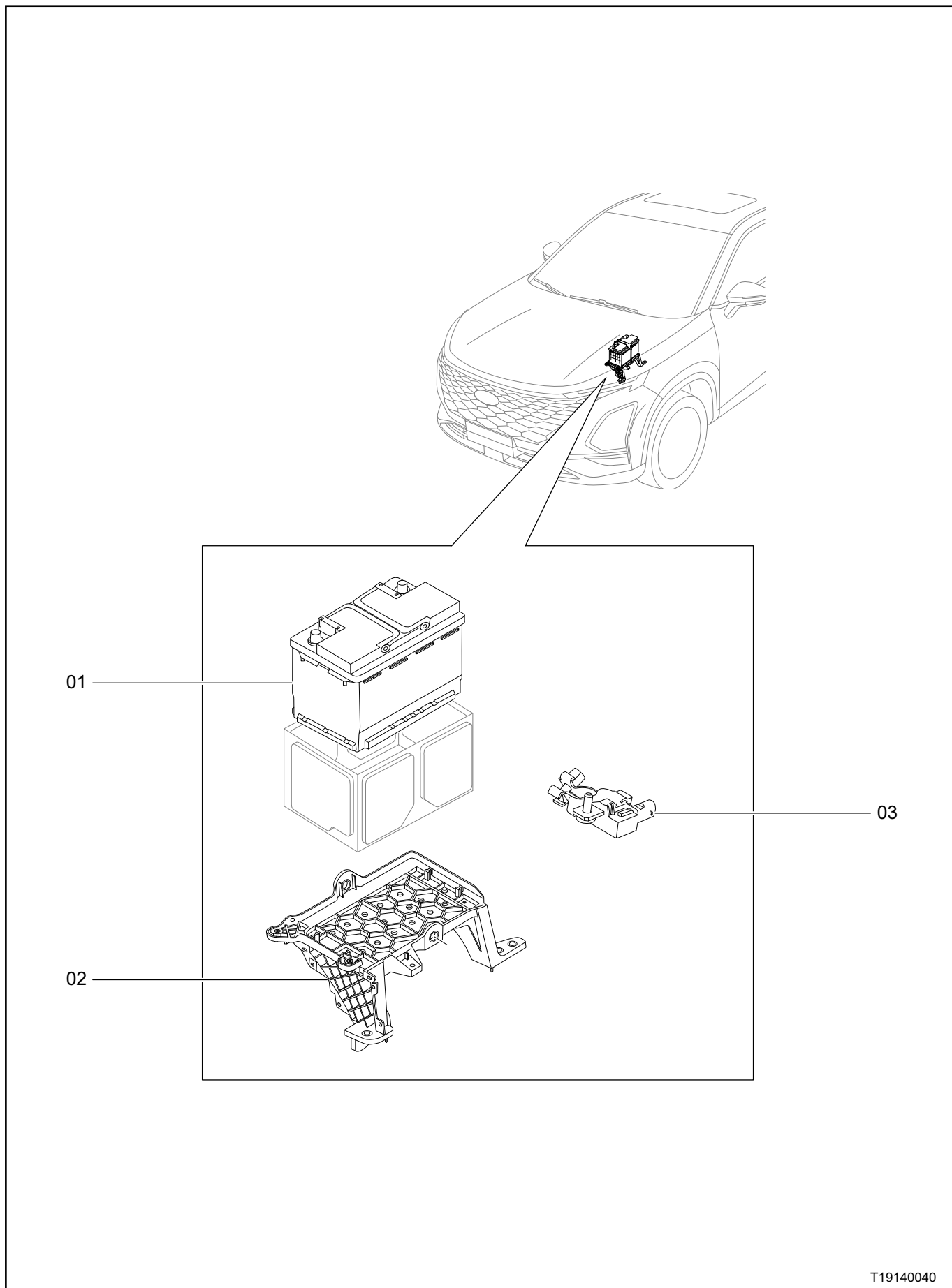
T19140020

No.	Part No.	Station No.	Station Name	Labour Time
01	703000679AAACG	T19CKKK30006792701	Remove and reinstall carbon crystal black shark fin combination antenna	50



T19140030

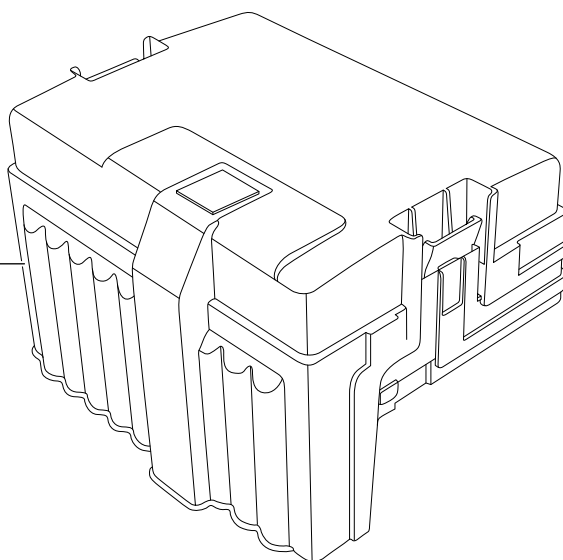
No.	Part No.	Station No.	Station Name	Labour Time
01	806005217AA	T19CKKK60052172701	Remove and reinstall engine electronic wire harness assy	100
02	806004434AA	T19CKKK60044342751	Remove and reinstall ground wire harness	10
		Ex:T19CKKK10002022701	Remove and reinstall Air filter assy	30
03	806005218AA	T19CKKK60052182701	Remove and reinstall battery positive wire harness	40
04	806002816AA	T19CKKK60028162701	Remove and reinstall Battery negative wire harness assy	20
05	806006795AA	T19CKKK60067952701	Remove and reinstall interior floor harness	1100



T19140040

No.	Part No.	Station No.	Station Name	Labour Time
01	807000420AA	T19CKKK70004202701	Remove and reinstall battery assy	20
02	807000158AB	T19CKKK70001582751	Remove and reinstall Battery tray	30
		Ex:T19CKKK70004202701	Remove and reinstall battery assy	20
03	807000033AA	T19CKKK70000332701	Remove and reinstall battery sensor	20

01

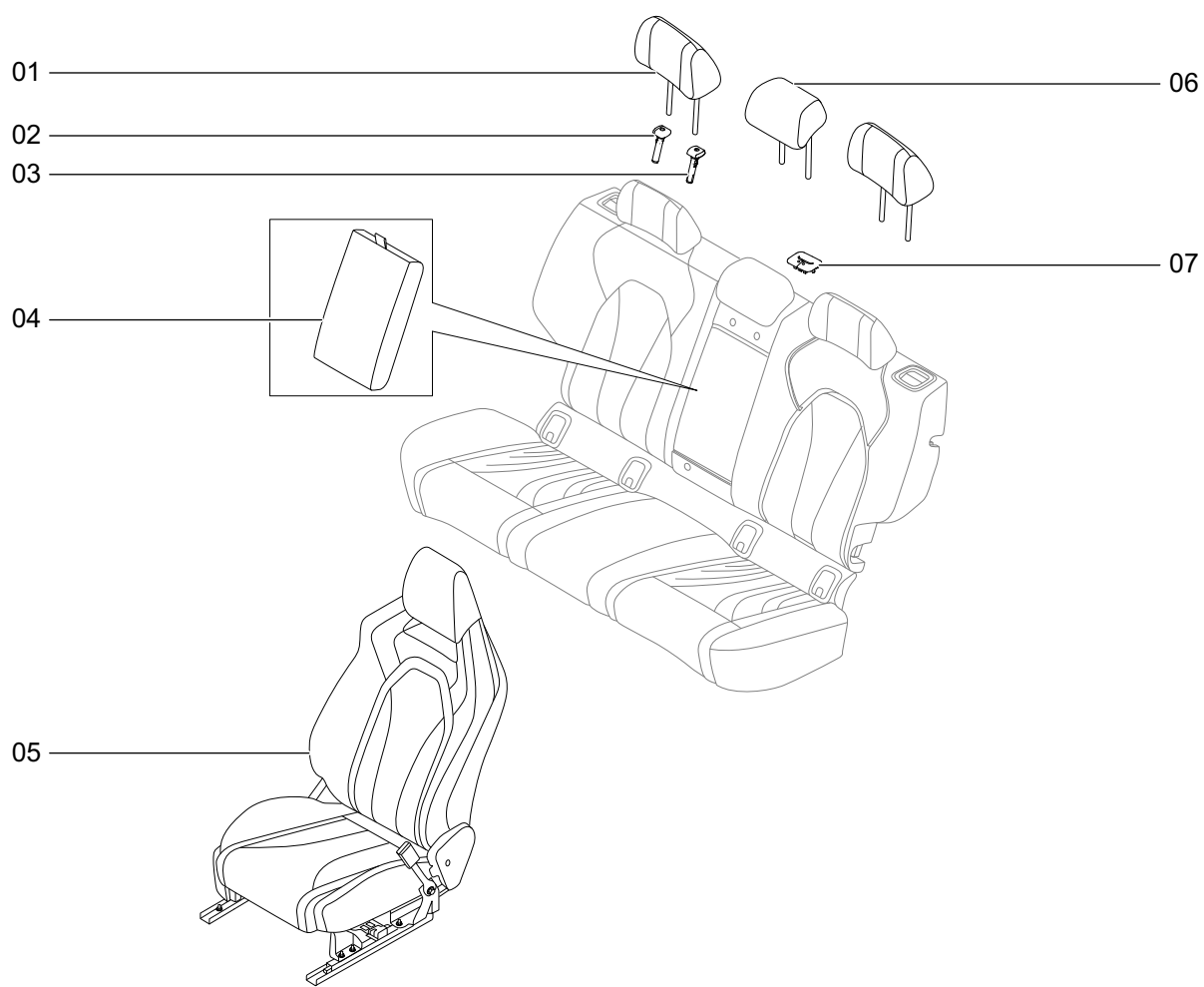


T19140050

No.	Part No.	Station No.	Station Name	Labour Time
01	807000525AA	T19CKKK70005252701	Remove and reinstall engine compartment fuse box assembly	30

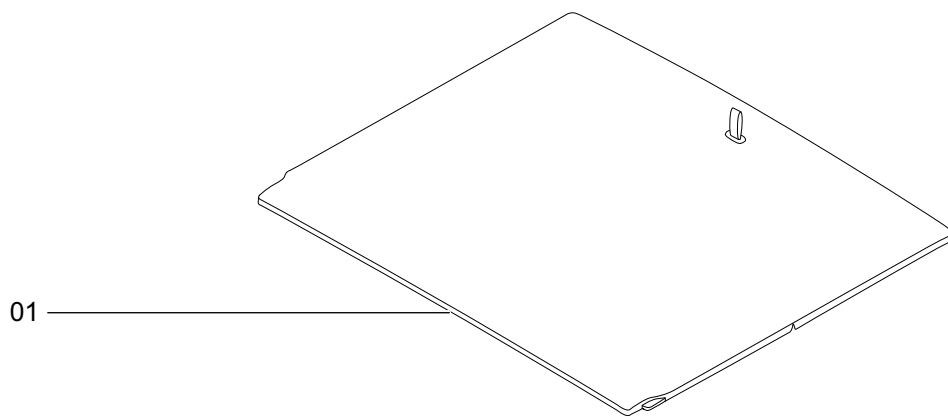
INTERIOR AND EXTERIOR (F4J16)

Seat	15 - 2
RR luggage compartment interior trim	15 - 4
Door protector	15 - 6
FR bumper assy	15 - 8
Side door trim.....	15 - 10
Name plate system	15 - 12



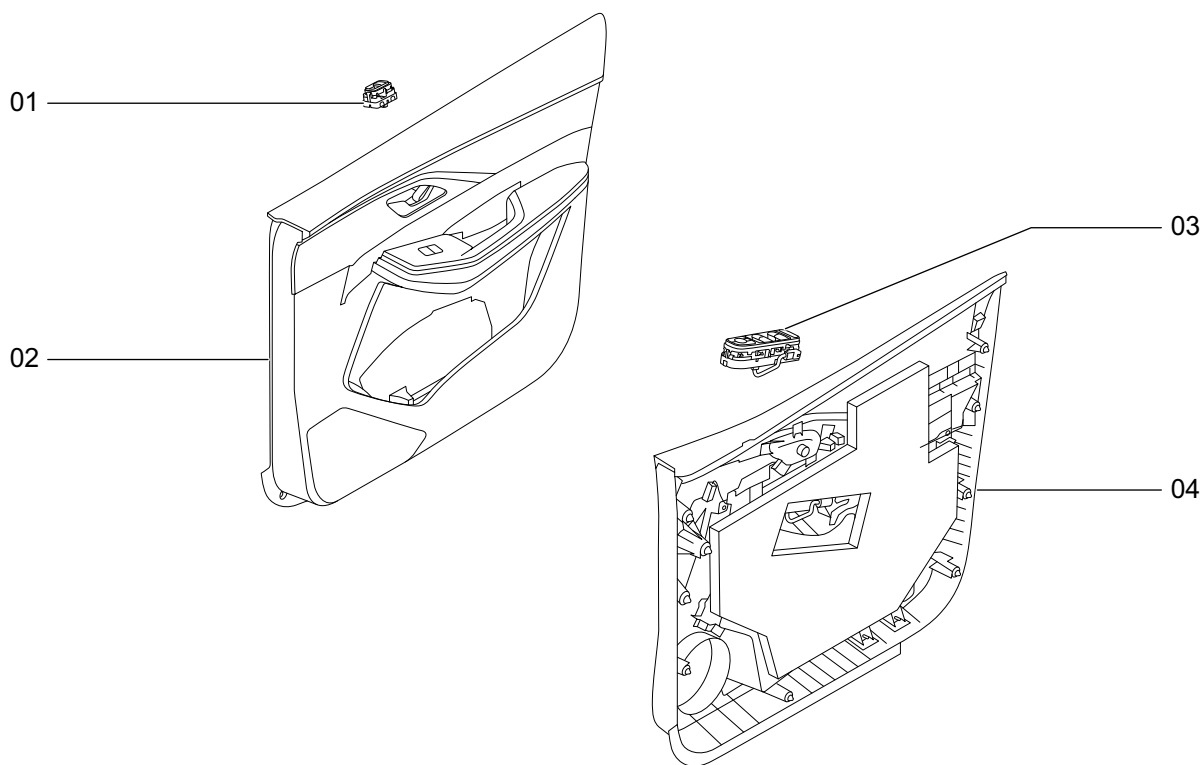
T19150010

No.	Part No.	Station No.	Station Name	Labour Time
01	402007899AAABK	T19CKKK20078992701	Remove and reinstall RR OTR headrest assy	20
02	402007901AA	T19CKKK20079012701	Remove and reinstall RR headrest sleeve lock end	20
03	402007902AA	T19CKKK20079022701	Remove and reinstall RR headrest sleeve non-lock end	20
04	402007905AAABK	T19CKKK20079052701	Remove and reinstall RR seat armrest assy	20
05	402005937AAABK	T19CKKK20059372701	Remove and reinstall FR seat belt buckle assy RH	30
06	402007900AAABK	T19CKKK20079002701	Remove and reinstall RR MID headrest assy	20
07	402007904AA	T19CKKK20079042701	Remove and reinstall MD seat belt guide ring	40



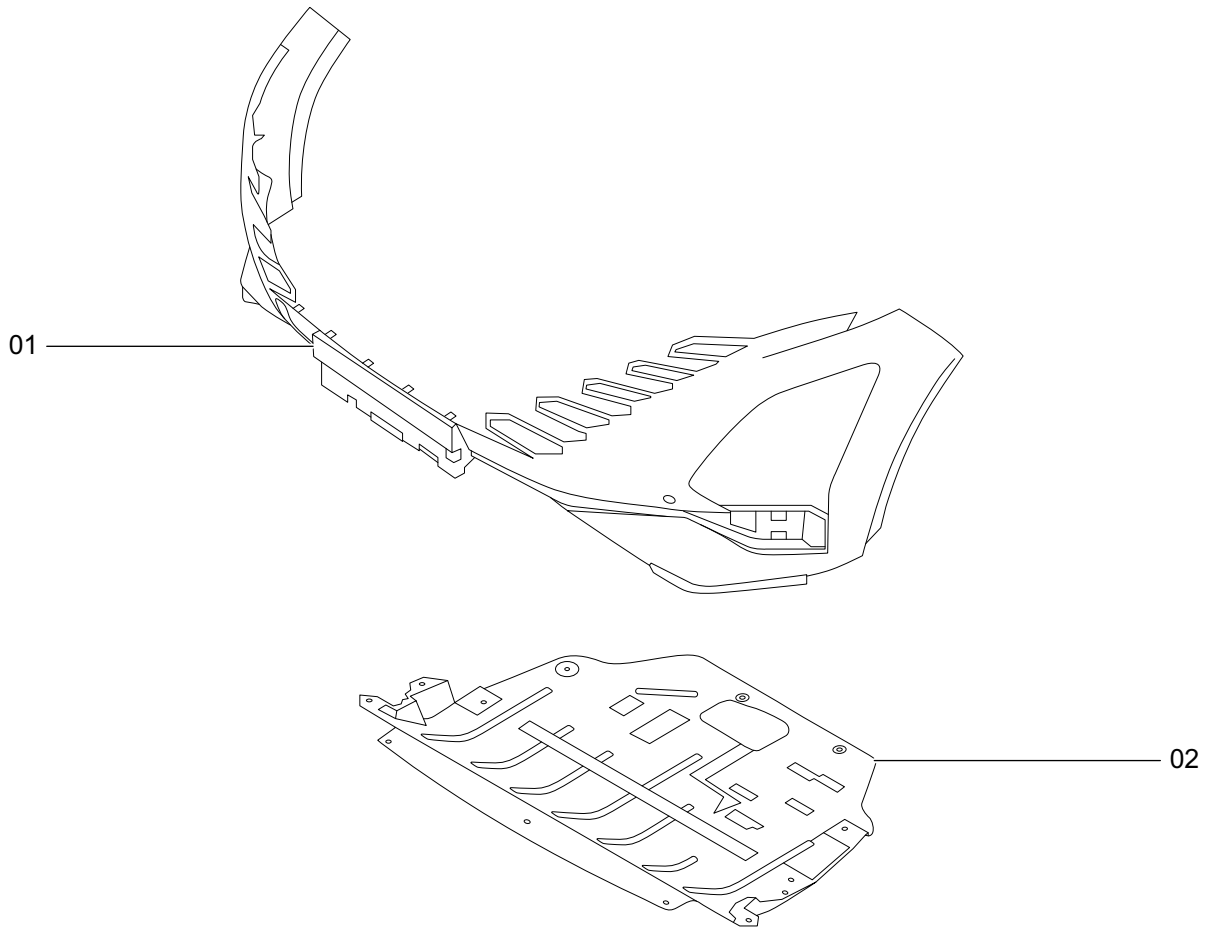
T19150020

No.	Part No.	Station No.	Station Name	Labour Time
01	403004125AB	T19CKKK30041252701	Remove and reinstall luggage compartment carpet assy	20



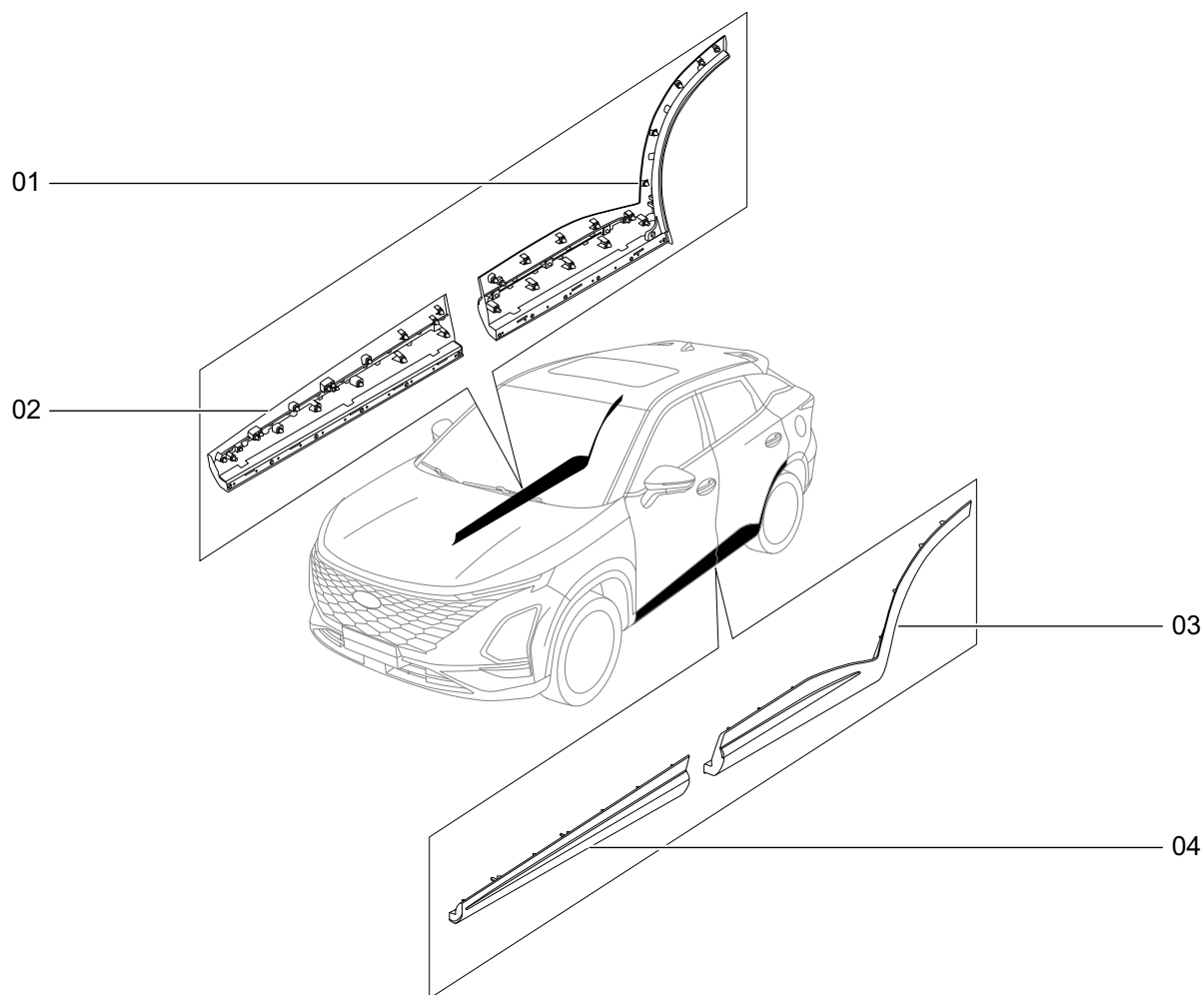
T19150030

No.	Part No.	Station No.	Station Name	Labour Time
01	808000851AA	T19CKKK80008512751	Remove and reinstall single door glass regulator switch	10
		Ex:T19CKKK30053572701	Remove and reinstall FR door protector with switch assy RH	40
02	403005357AAABK	T19CKKK30053572701	Remove and reinstall FR door protector with switch assy RH	40
03	808000848AA	T19CKKK80008482751	Remove and reinstall driver glass regulator switch	10
		Ex:T19CKKK30053562701	Remove and reinstall FR door protector with switch assy LH	40
04	403005356AAABK	T19CKKK30053562701	Remove and reinstall FR door protector with switch assy LH	40



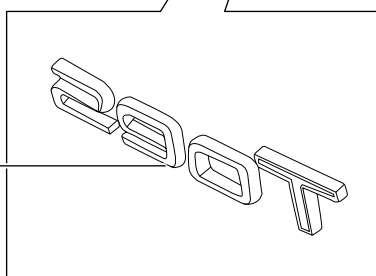
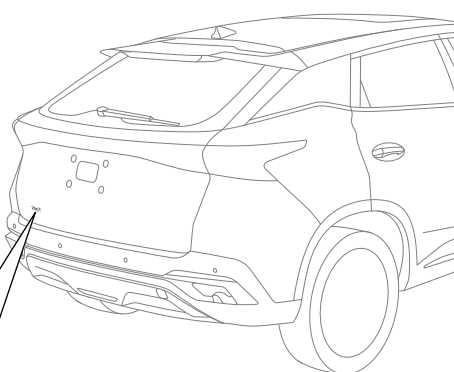
T19150040

No.	Part No.	Station No.	Station Name	Labour Time
01	602002777AADQJ	T19CKKK20027772701	Remove and reinstall FR bumper UPR body	50
02	602001929AA	T19CKKK20019292701	Remove and reinstall engine LWR protector	20



T19150050

No.	Part No.	Station No.	Station Name	Labour Time
01	609001824AABCE	T19CKKK90018242701	Remove and reinstall RR door trim panel assy RH	30
02	609001822AABCE	T19CKKK90018222701	Remove and reinstall FR door trim panel assy RH	30
03	609001823AABCE	T19CKKK90018232701	Remove and reinstall RR door trim panel assy LH	30
04	609001821AABCE	T19CKKK90018212701	Remove and reinstall FR door trim panel assy LH	30



01

T19150060

No.	Part No.	Station No.	Station Name	Labour Time
01	609001155AA	T19CKKK90011552701	Remove and reinstall 290T emblem	20

MAINTENANCE

Maintenance..... 16 - 2

No.	Part No.	Station No.	Station Name	Labour Time
01		T19CKKK10000001200	Four-wheel alignment	180
02		T19CKKK10000001600	First-time maintenance	100
03		T19CKKK10000001610	Maintenance for every 15000 KM	120
04		T19CKKK10000001620	Every 30000 KM	180
05		T19CKKK10000001630	Every 5000 KM	100
06		T19CKKK1KD40043701	Replace transmission gear oil	40
07		T19CKKK40060113701	Replace engine lubricant	60
08		T19CKKK47031112021	Drain and fill brake fluid	50
09		T19CKKK50000009501	Body part paint handling	100
10		T19CKKK47031112201	Apply clutch hydraulic pressure and bleed	30
11		T19CKKK40402732701	Add window washer fluid	10
12		T19CKKK47020112201	Drain and fill refrigerant R134a	50
13		T19CKKK47041132101	Fill antifreeze coolant	20
14		T19CKKK47041132201	Drain and fill antifreeze coolant	40
15	025CHA-4004011AA10	T19CC2540040113701	Replace CVT25 automatic transmission oil	40

